

Entry / ECO

Standard / STD

Professional / PRO

ODM & OEM

Intelligent / INT

**PRO**

Specifications



LED Track Light  
TL111 Series



## Introduction

The track light series is highly versatile, which combines with PMMA lens optics 30°, 60°, 90°, double asymmetric 20° for options. This makes it easy to install and to replace or update when re-using existing track for General lighting. Besides, it has thin body, light weight and compact structure, suitable for European standard three-circuit track system, which is convenient for group control management. With high quality Osram brand driver and aluminum housing, it can have a great thermal management and ensure a long lifespan.

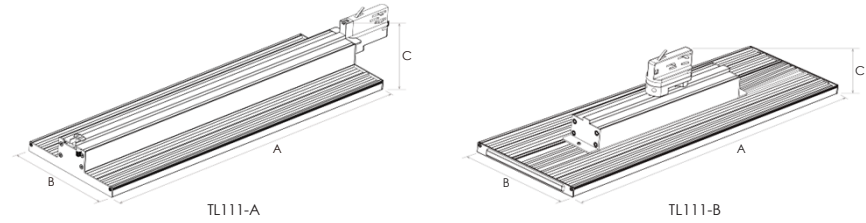
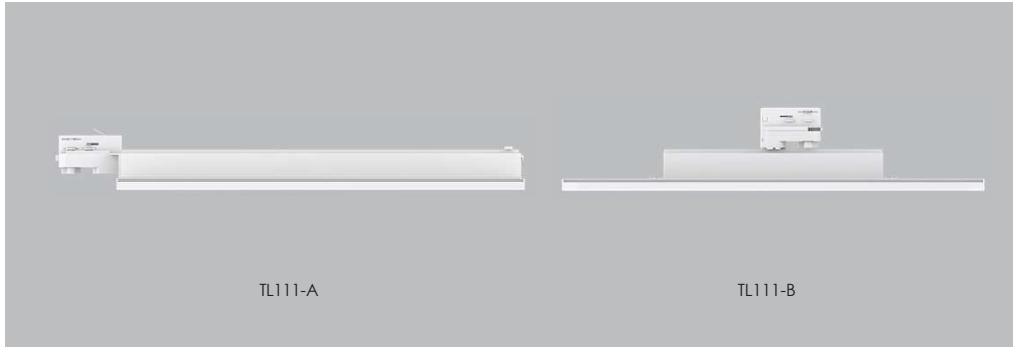
## Features

- For indoor use only, IP20.
- Beam angle options: 30°/ 60°/ 90°/ Double Asymmetrical 20°.
- Type A with an adapter at the side while type B with adapter at the back and can do 350 degree rotary.
- Easy Installation: Exposed track adaptor, easy to switch and check circuit selection.
- High lumen efficiency, 50W has 140lm/W @4000K, 60W is 137lm/W @4000K, 80W is 131lm/W @4000K.
- Finished color: White / Black.
- Long lifespan with high brand Osram flicker free driver.

## Application Areas

It is suitable for brand authorized store, exhibition hall, shopping mall, jewelry store, supermarket etc.





## Technical Data Sheet

Code No.	TL111A-50W	TL111A-60W	TL111A-80W	TL111B-50W	TL111B-60W	TL111B-80W		
Dimension(mm)	670*190*80			582*190*116				
Cutout (mm)	-							
Watt(W)	50W	60W	80W	50W	60W	80W		
Rated Input Voltage(V)	230V							
Input Voltage(V)	220-240V							
LED Module Input	-							
Light Source	SMD							
SDCM	-							
CCT(K)	1-CCT: 3000K/4000K/5000K/5700K							
CCT Selection DIP Switch	NO							
Luminous Flux (lm) ±5%	Non-DIM	1-CCT	6760-7040	7940-8250	10240-10480	6760-7040	7940-8250	10240-10480
			-					
	DIM	3-CCT	-					
			-					
CRI	CRI80							
Beam Angle (°)	30°/60°/90°/Double Asymmetric20°							
UGR	-							
LED Driver	built-in							
Dimming Option	NO							
Sensor	NO							
Emergency Kits	NO							
Electrical Class	Class I							
Ingress Protection (IP Rating)	IP20							
Impact Resistance (IK Rating)	-							
Product Finishing(Base)	White RAL9016 / Black RAL 9005							
Materials of Optics	PMMA							
Materials of Housing	Aluminium							
Lifetime (hr)	50,000h@25°C							
Glow wire test (°C)	650°C							
Operating Temp. (°C)	-20°C~40°C							
Storage Temp. (°C)	-20°C~65°C							
Installation	Track							

## Measurement

Code	Dimension(mm)			Size	Product Weight (Kg)		Package weight (Kg)		Carton Size(cm)	Qty/CTN	20GP (pcs)	40HQ (pcs)
	A	B	C		N.W/PC	G.W/PC	N.W/CTN	G.W/CTN				
TL111A-50W	670	190	80	670*190*80	2.5	3.28	15	21.1	74*47.5*37.5	6	1296	3024
TL111A-60W	670	190	80	670*190*80	2.5	3.28	15	21.1	74*47.5*37.5	6	1296	3024
TL111A-80W	670	190	80	670*190*80	2.5	3.28	15	21.1	74*47.5*37.5	6	1296	3024
TL111B-50W	582	190	116	582*190*116	2.5	3.29	15	21.2	64*47.5*46.5	6	1260	2520
TL111B-60W	582	190	116	582*190*116	2.5	3.29	15	21.2	64*47.5*46.5	6	1260	2520
TL111B-80W	582	190	116	582*190*116	2.5	3.29	15	21.2	64*47.5*46.5	6	1260	2520

## Driver Datasheet (Non-Dimmable)

		Total load wattage	50W	60W	80W
Output	Output Voltage range	DC23-54V	DC23-54V	DC23-54V	DC23-54V
	Rated output current	900mA	1050mA	1300mA	
	Line Regulation	±5%			
	Setup, Rise Time	≤0.5S			
	Flickering Index	<5%			
Input	Input Voltage	198-264VAC			
	Rated Input Voltage(V)	220-240VAC			
	Frequency	50/60HZ			
	Input Current	0.29A	0.34A	0.45A	
	Rated Input Current	0.26A	0.31A	0.41A	
	Power Factor	0.9			
	THD	<20% @230V			
	Efficiency	≥87%			
Protection	No load wattage	<0.5W			
	Short circuit protection	PASS			
	Over voltage protection	PASS			
Safety & EMC	Over temperature protection	PASS			
	Withstand voltage	I/P-FG:1.5kVac,<5mA 60S			
	Isolation Resistance	500VDC, ≥2M Ω			
	Surge	IEC/EN61000-4-5 (P≥25w L-N:1KV, L/N-PE:2KV)			
	EMC Emission	EN55015, EN61000-3-2			
EMC Immunity	EN61000-4-2,3,4,5,6,8,11; EN61547				

## Installation Procedure

### WARNING

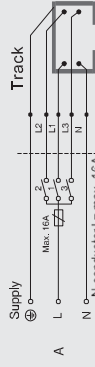
1. Switch off before installation.
2. Switch on only after complete installation and examination of the circuit.
3. Professional electrician for installation and maintenance only.



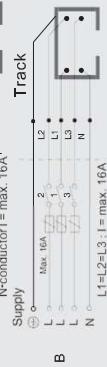
Turn Off  
Power Supply

## Wiring Diagram (Please select according to the actual product)

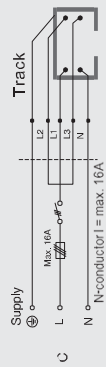
### 4-wires, 3-circuit



1-phase, 3-circuit,  
230V AC,  
16A, 3.7kVA

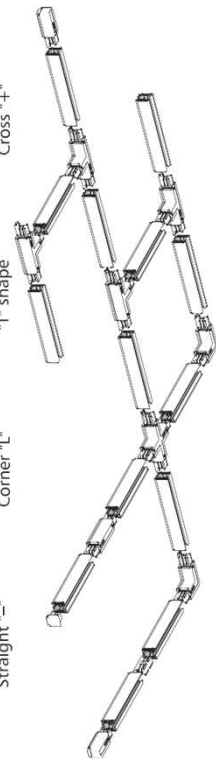
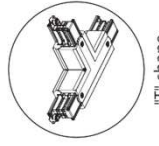
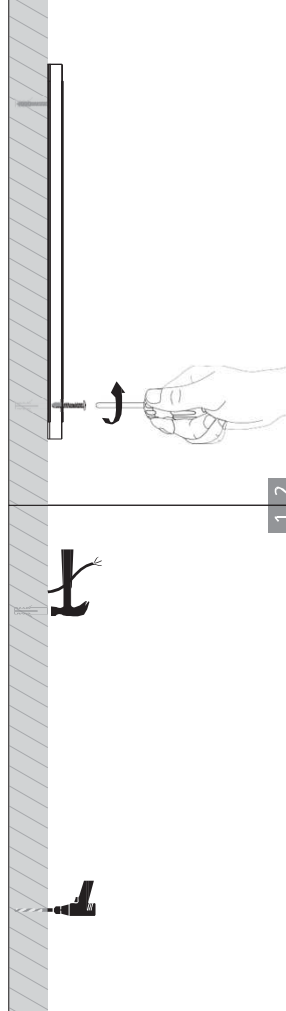


3-phase, 3-circuit,  
230/400V AC,  
16A, 3x3.7kVA



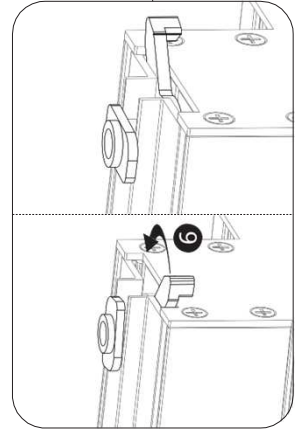
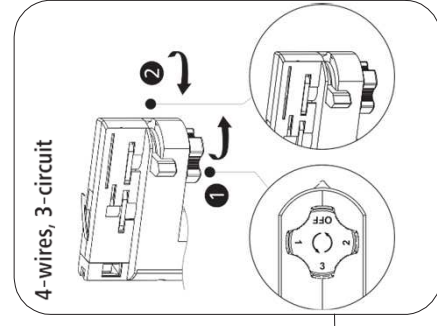
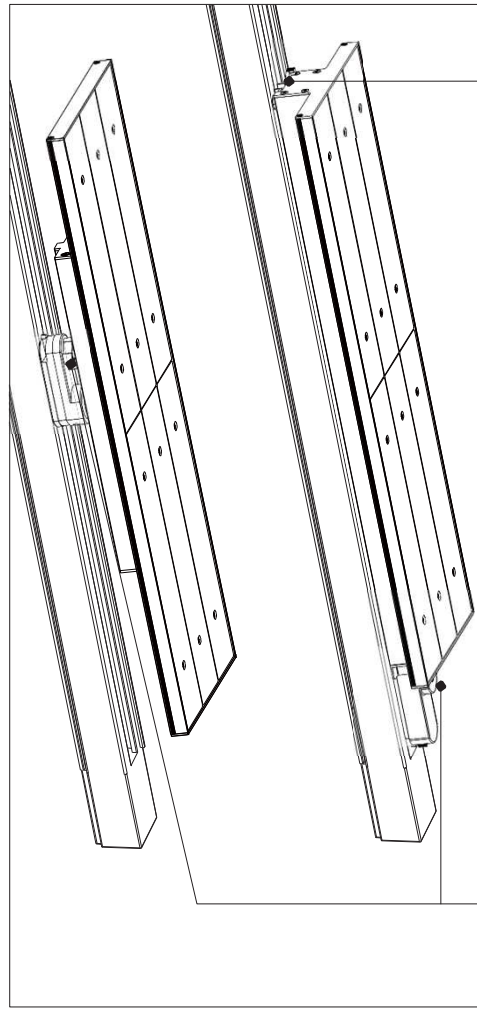
3-phase, 3-circuit,  
230/400V AC,  
16A, 11.1kVA

## Installation for track



Note: Do not install in the place near heat source, or in corrosive gas environment.

## Installation





**RL Europe**  
Your partner in LED

[www.rleurope.ch](http://www.rleurope.ch)

[info@rleurope.ch](mailto:info@rleurope.ch)

TEL: +41 (0)91 6832255

Add: via E. Bossi 12/B, CH-6830 Chiasso (TI)