

Entry / ECO

Standard / STD

Professional / PRO

ODM & OEM

Intelligent / INT

PRO

Specifications



LED Track Light
TL113 Series



Introduction

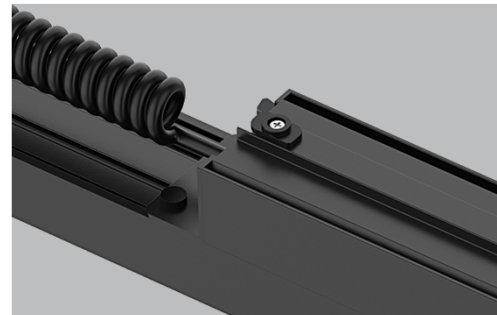
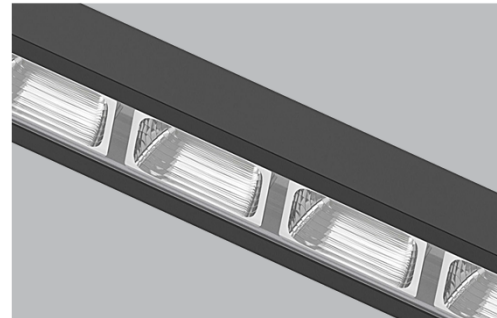
This is a new seamless linear track lighting system, which is totally different from the traditional LED trunking system light. It has thin body, light weight and compact structure, suitable for European standard three-circuit track system, which is convenient for group control management. For optic design, it combines with diffuser and reflector, which make more uniform light output. With high quality Osram brand driver and aluminum housing, it can have a great thermal management and ensure along lifespan.

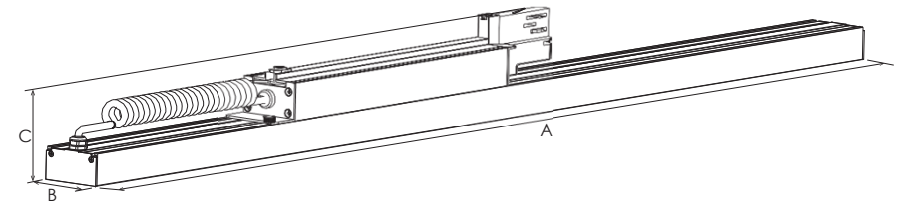
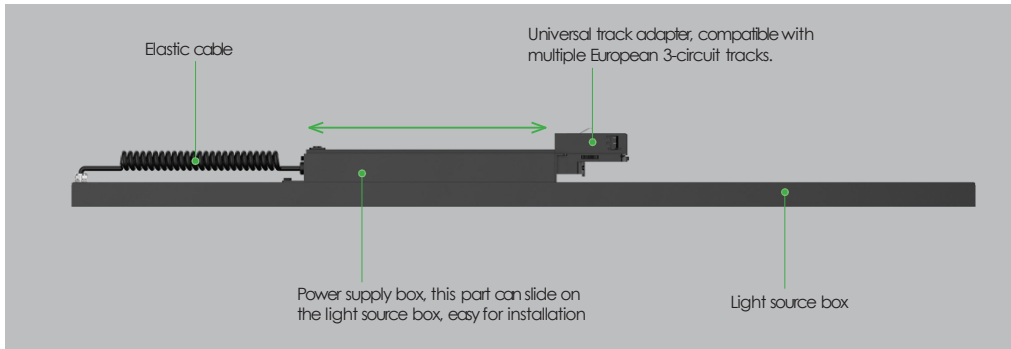
Features

- With elastic cable at the side, can be adjusted 300mm.
- For indoor use only, IP20 track light.
- Easy Installation: Exposed track adaptor, easy to switch and check circuit selection.
- Beam angle options: 30°*60° /60°*90°.
- High lumen efficiency, 130lm/W @4000K.
- Finished color: Black/White.
- Long lifespan with high brand Osram flicker free driver, built-in.

Application Areas

It is suitable for brand authorized store, exhibition hall, shopping mall, jewelry store, supermarket etc.





Technical Data Sheet

Code No.	TL113-47W	TL113-63W		
Dimension(mm)	1142*60*98			
Cutout (mm)	-			
Watt(W)	47W	63W		
Rated Input Voltage(V)	230V			
Input Voltage(V)	AC220-240V			
LED Module Input	-			
Light Source	SMD			
SDCM	< 6			
CCT(K)	1-CCT: 3000K/4000K/5000K/5700K			
CCT Selection DIP Switch	NO			
Luminous Flux (lm) ±5%	Non-DIM DIM	1-CCT	5700-6300	7500-8550
		3-CCT	-	-
	Non-DIM DIM	3-CCT	-	-
		3-CCT	-	-
CRI	CRI80			
Beam Angle (°)	30°*60° /60°*90°			
UGR	-			
LED Driver	built-in			
Dimming Option	NO			
Sensor	NO			
Emergency Kits	NO			
Electrical Class	Class I			
Ingress Protection (IP Rating)	IP20			
Impact Resistance (IK Rating)	-			
Product Finishing(Base)	Black RAL9005 / White RAL 9016			
Materials of Optics	PC			
Materials of Housing	Aluminium			
Lifetime (hr)	50,000h			
Glow wire test (°C)	750°C			
Operating Temp. (°C)	-20°C~40°C			
Storage Temp. (°C)	-20°C~65°C			
Installation	Track			

Measurement

Code	Dimension(mm)			Size(mm)	Product Weight (Kg)		Package weight (Kg)		Carton Size(cm)	Qty/CTN	20GP (pcs)	40HQ (pcs)
	A	B	C		N,W/PC	G,W/PC	N,W/CTN	G,W/CTN				
TL113-47W	1142	60	98	1142*60*98	2.05	2.55	12.3	16.3	118*24.5*27	6	1920	4590
TL113-63W	1142	60	98	1142*60*98	2.05	2.55	12.3	16.3	118*24.5*27	6	1920	4590

Driver Datasheet (Non-Dimmable)

		Total load wattage	50W	60W
Output	Output Voltage range	DC23-54V		DC23-51V
	Rated output current	900mA		1200mA
	Line Regulation	±5%		
	Setup, Rise Time	≤0.5S		
	Flickering Index	<5%		
Input	Input Voltage	198-264VAC		
	Rated Input Voltage(V)	220-240VAC		
	Frequency	50/60HZ		
	Input Current	≤0.29A	≤0.34A	
	Rated Input Current	≤0.26A	≤0.31A	
	Power Factor	0.9		
	THD	<20% @230V		
	Efficiency	≥87%		
	No load wattage	<0.5W		
Protection	Short circuit protection	PASS		
	Over voltage protection	PASS		
	Over temperature protection	500VDC, ≥2M Ω		
Safety & EMC	Withstand voltage	I/P-FG:1.5KVac,<5mA 60S		
	Isolation Resistance	500VDC, ≥2M Ω		
	Surge	IEC/EN61000-4-5 (P≥25w L-N:1KV, L/N-PE:2KV)		
	EMC Emission	EN55015, EN61000-3-2		
EMC Immunity	EN61000-4-2,3,4,5,6,8,11; EN61547			

Installation Procedure

WARNING

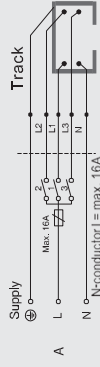
1. Switch off before installation.
2. Switch on only after complete installation and examination of the circuit.
3. Professional electrician for installation and maintenance only.



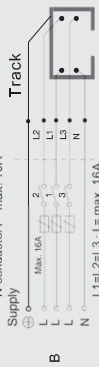
Turn Off
Power Supply

Wiring Diagram (Please select according to the actual product)

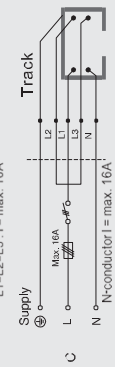
4-wires, 3-circuit



1-phase, 3-circuit,
230V AC,
16A, 3.7kVA

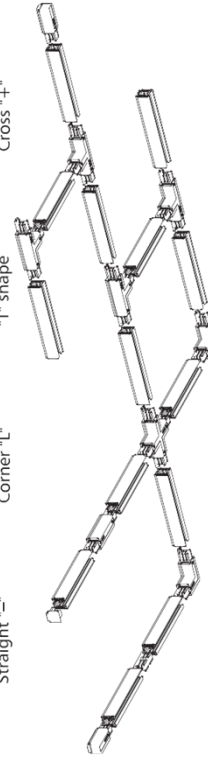
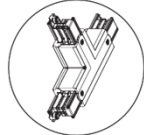
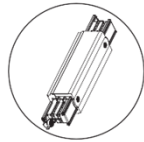
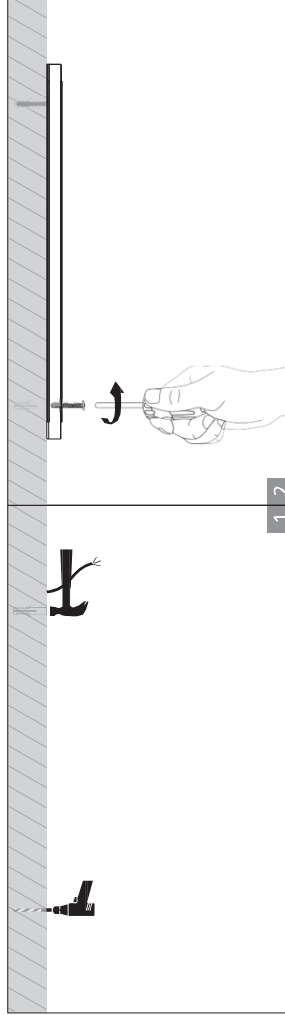


3-phase, 3-circuit,
230/400V AC,
16A, 3x3.7kVA



3-phase, 3-circuit,
230/400V AC,
16A, 11.1kVA

Installation for track

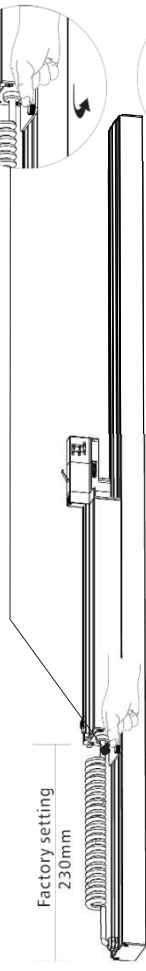


Note: Do not install in the place near heat source, or in corrosive gas environment.

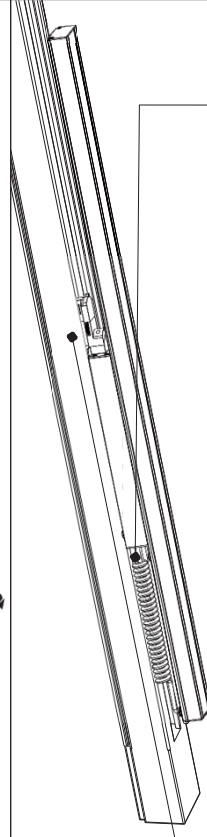
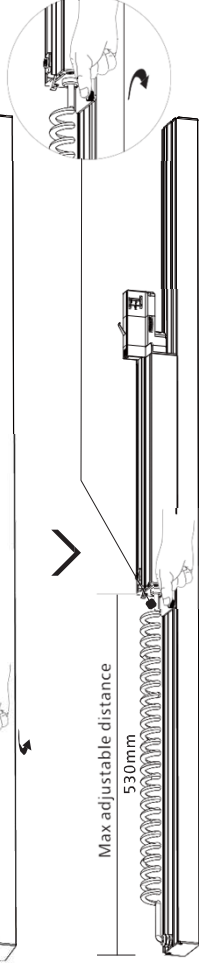
Installation

Unscrew the screw to adjust driver box position, then lock the screw.

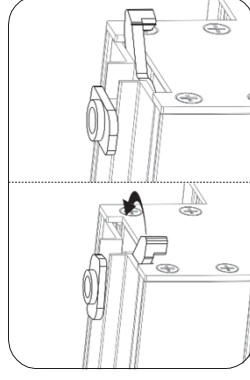
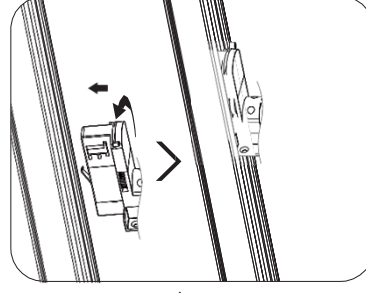
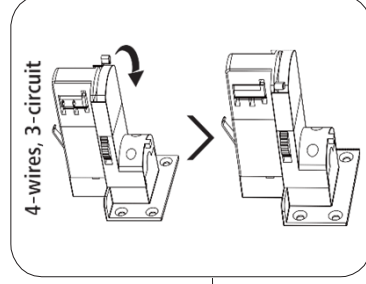
Factory setting
230mm



Max adjustable distance
530mm



4-wires, 3-circuit





RL Europe
Your partner in LED

www.rleurope.ch

info@rleurope.ch

TEL: +41 (0)91 6832255

Add: via E. Bossi 12/B, CH-6830 Chiasso (TI)