

Entry / ECO

Standard / STD

Professional / PRO

ODM & OEM

Intelligent / INT



LED Garden Light

NL90 Series





## Introduction

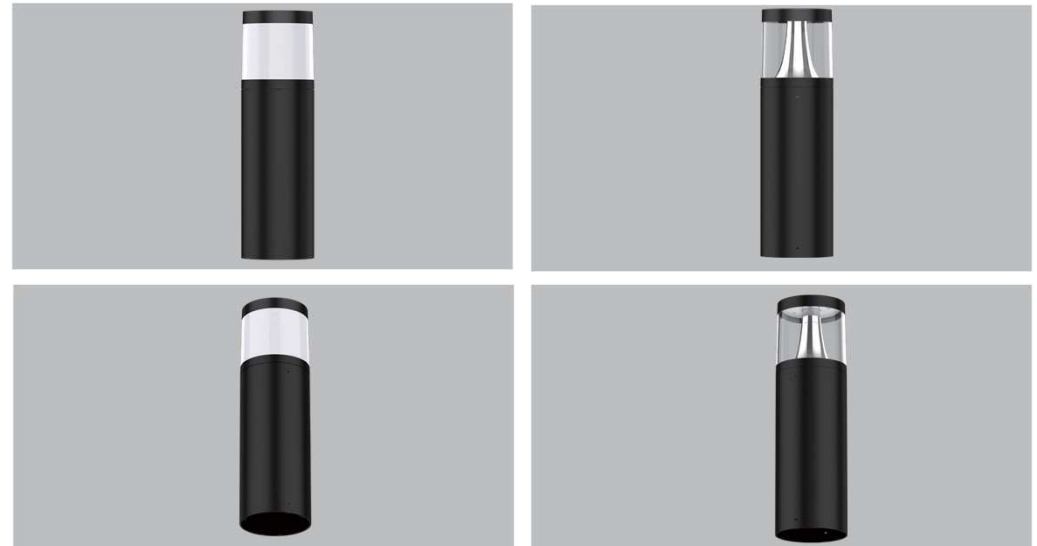
NL90 LED garden light provides a stylish architectural luminaire for outdoor applications. It has two optic design, NL90A with milky PC cover for a uniform light output, NL90B combines reflector and transparent PC cover for down lighting, NL90A and NL90B's lighting module can be interchangeable. This lamp has a strong structure, ADC12 aluminum cylindrical lamp body with outdoor powder spray, anti-corrosion, IP65 and IK08 protection level make it a welcomed lamp in outdoor area.

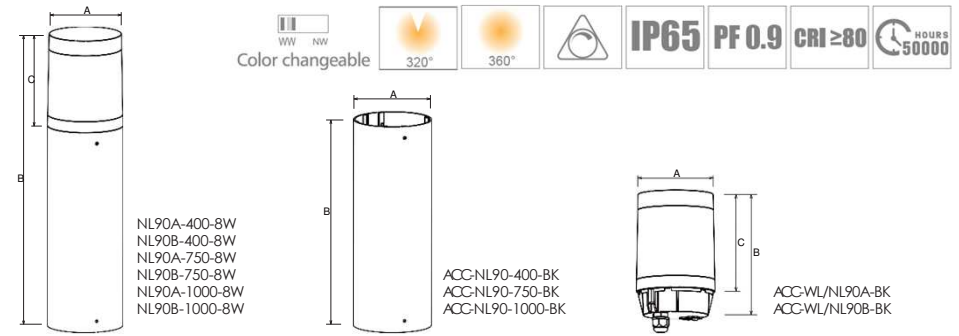
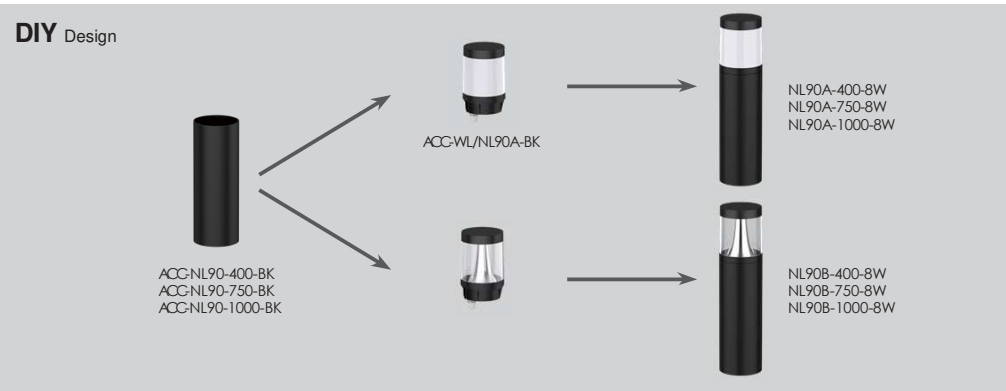
## Features

- Cylindrical appearance can be harmoniously combined with a variety of applications.
- Two optic design: NL90A with milky PC cover, NL90B with reflector and transparent PC cover.
- Lighting module could be interchangeable.
- IP65 waterproof and IK08 impact resistance.
- Interchangeable CCT(3000K+4000K) with slide switch.

## Application Areas

The garden light is designed for general lighting applications in courtyard, park, garden, lawn etc.





## Measurement

Code	Dimension(mm)			Size(mm)	Product Weight (kg)		Package weight (kg)		Carton Size(cm)	Qty/CTN	20GP (pcs)	40HQ (pcs)
	A	B	C		N.W/PC	G.W/PC	N.W/CTN	G.W/CTN				
NL90A-400-8W NL90B-400-8W	100	400	125	Ø100*400	1.15	1.5	7	9	51.5*45*31	6PCS	2496	5862
NL90A-750-8W NL90B-750-8W	100	750	125	Ø100*750	1.80	2.5	11	15	80*51.5*31	6PCS	1320	3198
NL90A-1000-8W NL90B-1000-8W	100	1000	125	Ø100*1000	2.30	3.5	13.8	21	105*51.5*31	6PCS	1014	2520
ACC-NL90-400-BK	100	275		Ø100*275	0.7	0.8	4	6	51.5*35.5*31	6PCS	2940	5880
ACC-NL90-750-BK	100	625		Ø100*625	1.3	1.8	8	12	67.5*51.5*31	6PCS	1428	3066
ACC-NL90-1000-BK	100	875		Ø100*875	1.8	2.8	11	18	92.5*51.5*31	6PCS	1008	2100
ACC-WL/NL90A-BK ACC-WL/NL90B-BK	100	156	125	Ø100*156	0.5	0.7	6	9.5	41*29.5*38	12PCS	7488	14832

## Technical Data Sheet

Code No.	NL90A-400-8W	NL90A-750-8W	NL90A-1000-8W	NL90B-400-8W	NL90B-750-8W	NL90B-1000-8W
Dimension(mm)	Ø100*H400	Ø100*H750	Ø100*H1000	Ø100*H400	Ø100*H750	Ø100*H1000
Cutout (mm)	-					
Watt(W)	8W					
Rated Input Voltage(V)	AC230V					
Input Voltage(V)	AC220-240V					
LED Module Input	-					
Light Source	SMD					
SDCM	<6					
CCT(K)	1-CCT: 3000K/4000K/5000K/5700K    2-CCT: 3000K + 4000K					
CCT Selection DIP Switch	YES					
Luminous Flux (lm) ±5%	DIM 1-CCT	600-700			500-600	
	DIM 2-CCT	520-620			430-530	
CRI	≥80					
Beam Angle (°)	320°			360°		
UGR	-					
LED Driver	Driver built-in					
Dimming Option	Triac					
Sensor	-					
Emergency Kits	-					
Electrical Class	Class I					
Ingress Protection (IP Rating)	IP65					
Impact Resistance (IK Rating)	IK08					
Product Finishing(Base)	Black RAL9005					
Materials of Optics	PC					
Materials of Housing	PC/Aluminium					
Lifetime (hr)	50,000h					
Glow wire test (°C)	850°C					
Operating Temp. (°C)	-20°C~45°C					
Storage Temp. (°C)	-20°C~65°C					
Installation	Ground mounted					

## Driver Datasheet(Triac Dimmable)

Total load wattage		8W
Output	Output Voltage range	DC55-65V
	Rated output current	95mA
	Line Regulation	±5%
	Setup, Rise Time	<0.5S
	Flickering Index	<5%(NO RISK)
Input	Input Voltage	200-240V
	Rated Input Voltage(V)	230V
	Frequency	50Hz
	Input Current	0.05A
	Rated Input Current	0.04A
	Power Factor	≥0.88
	THD	<25% @230V
	Efficiency	≥85%
Protection	No load wattage	≤1W
	Short circuit protection	Pass
	Over voltage protection	Pass
Safety & EMC	Over temperature protection	Pass
	Withstand voltage	I/P-FG:1.5KVac,<5mA 60S
	Isolation Resistance	500VDC, ≥2M Ω
	Surge	IEC/EN61000-4-5( P<25W; L-N:500V)
	EMC Emission	EN55015, EN61000-3-2
EMC Immunity	EN61000-4-2,3,4,5,6,8,11; EN61547	

## Installation Instruction

### WARNING ⚡

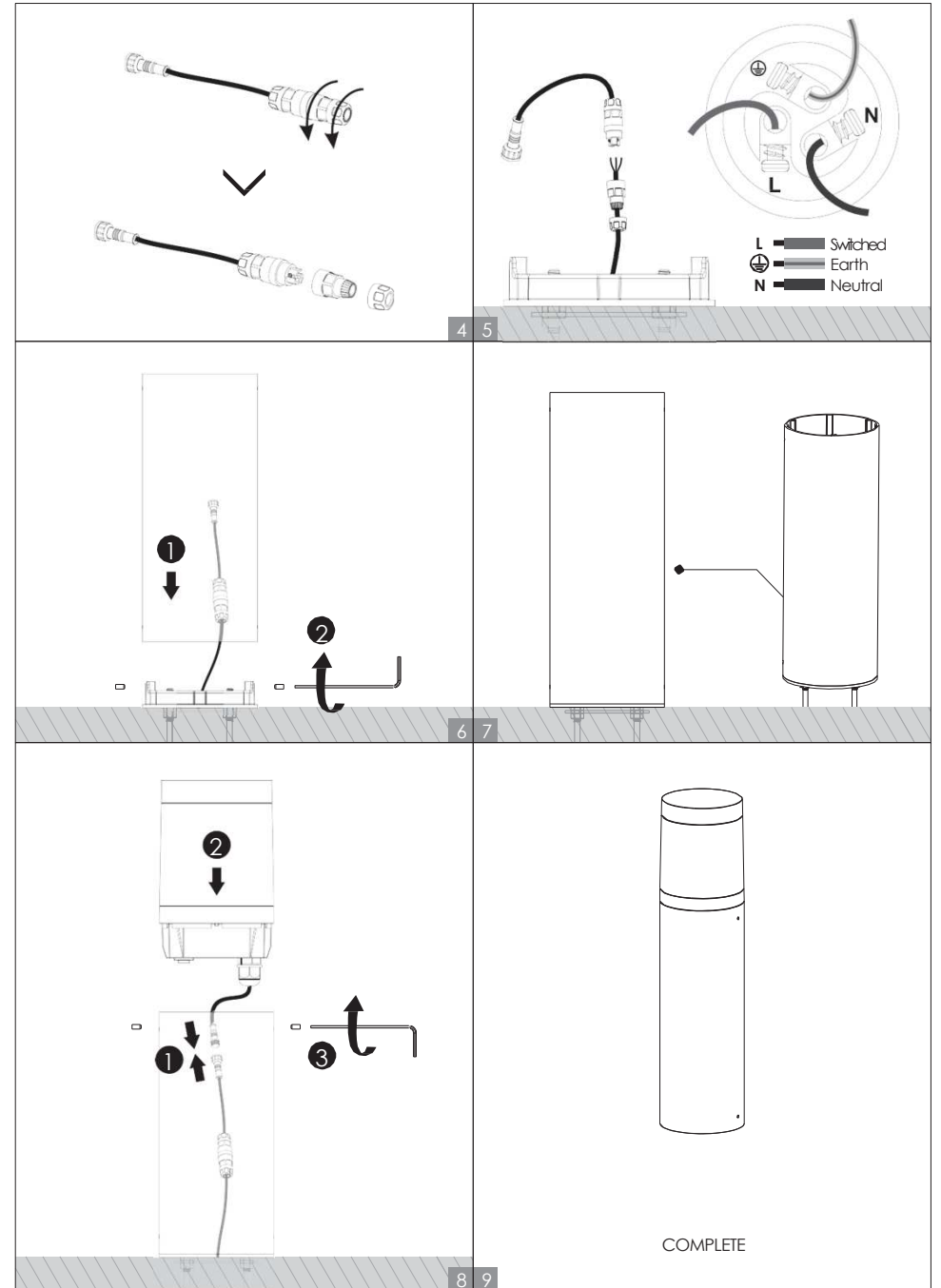
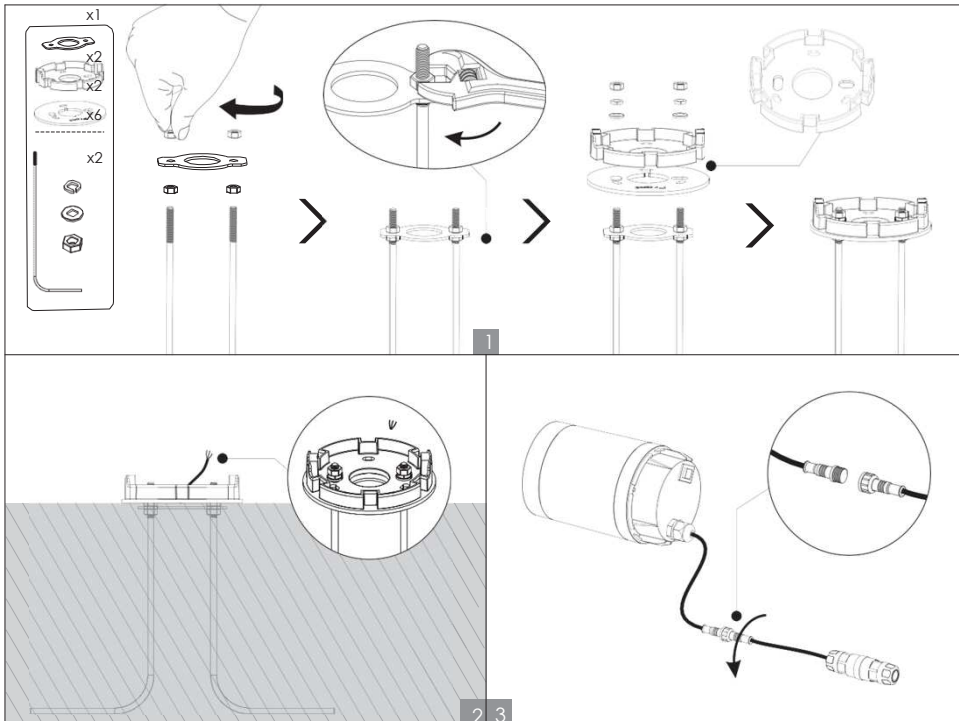
1. Switch off before installation.
2. Switch on only after complete installation and examination of the circuit.
3. Professional electrician for installation and maintenance only.



Turn Off  
Power Supply



## Ground mounted Installation





**RL Europe**  
Your partner in LED

[www.rleurope.ch](http://www.rleurope.ch)

[info@rleurope.ch](mailto:info@rleurope.ch)

TEL: +41 (0)91 6832255

Add: via E. Bossi 12/B, CH-6830 Chiasso (TI)