

Entry /ECO

Standard /STD

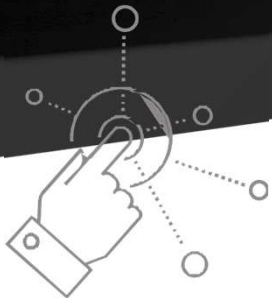
Professional/PRO

ODM & OEM

Intelligent/INT



LED freestanding luminaire
OL06C-I03 Series
OL06D-I03 Series





Introduction

Free-standing luminaires can be placed easily anywhere in the room, providing direct and indirect light wherever the user needs it. This OL06 smart design free-standing luminaire is composed of three parts: Linear lamp body, lamp pole and U shape lamp base. OL06C is for floor standing, OL06D is for desk installation. Direct and indirect optic design, UGR<16, up 70% & down 20% lighting, up to 130lm/W high light efficiency, it can ensure a more uniform and more comfortable lighting effect. Besides, for direct lighting, it has Symmetrical polarized light and forward polarized light options, which could meet more lighting demands, which is very suitable for modern office environments.

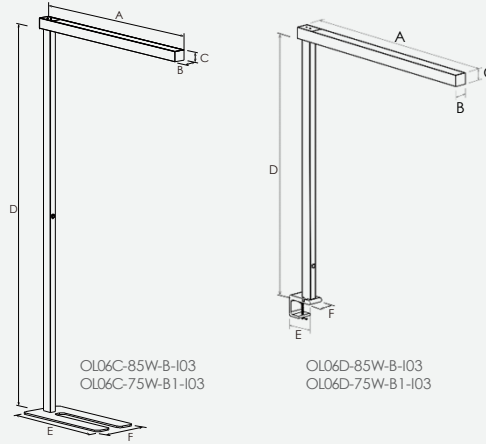
Features

- Tunable white (Brightness and CCT adjustment) or brightness adjustment.
- Easy for assembly and maintenance.
- Symmetrical polarized light and forward polarized light options.
- High lighting efficiency, 130lm/W.
- Precise optical design: UGR<16, up 80% & down 20% lighting.
- Plug and play, convenient for different position.
- CASAMBI bluetooth smart control.
- Tridonic DALI dimming.

Application Areas

It is specially designed for general lighting applications in office, meeting room, hotel etc.





Measurement

Code	Dimension(mm)			Size(mm)	Product Weight (Kg)		Package weight (Kg)		Carton Size(cm)	Qty/CTN	20GP (sets)	40HQ (sets)
	A	B	C		N.W/PC	G.W/PC	N.W/CTN	G.W/CTN				
OL06C Lamp body	1060	60	53	1060*60*53	5.7	6.8	20.5	22.3	208.5*33*17.5	3	576	1362
OL06C Lamp pole	D 2026			2026*55*35								
OL06C Lamp base	E	F		580*240*8	6.8	7.2	21.6	23	66*31.5*16	3		
OL06D Lamp body	A	B	C	1060*60*53	5.1	6.6	20	21.5	142.5*37.5*28.5	3	582	1344
OL06D Lamp pole	D 1276			1276*55*35								
OL06D Lamp base	E	F		140*70*100								

Technical Data Sheet	DALI DT8 Tunable white	
Code No.	OL06C-85W-B-103	OL06D-85W-B-103
Dimension(mm)	2050*1083*240	1380*1115*70
Cutout (mm)	-	
Watt(W)	85W	
Rated Input Voltage(V)	AC230V	
Input Voltage(V)	AC220-240V	
LED Module Input	-	
Light Source	SMD2835	
SDCM	<6	
CCT(K)	2700K-6500K	
CCT Selection	Yes	
Luminous Flux (lm) ±5%	9200-10500	
CRI	≥80	
Beam Angle (°)	80°×50° / 60°×60°×15°	
UGR	<16	
LED Driver	Driver built-in	
Dimming Protocol	Bluetooth	
Sensor	NO	
Emergency Kits	NO	
Electrical Class	Class I	
Ingress Protection (IP Rating)	IP20	
Impact Resistance (IK Rating)	-	
Product Finishing(Base)	White RAL9016	
Optics Material	PC / PET	
Housing Material	Aluminium	
Lifetime (hr)	50,000h	
Glow wire test (°C)	750°C	
Operating Temp. (°C)	-10°C ~40°C	
Storage Temp. (°C)	-20°C ~60°C	
Installation	Pedestal mounted / Desktop mounted	

Technical Data Sheet	DALI DT6 Dimmable	
Code No.	OL06C-75W-B1-103	OL06D-75W-B1-103
Dimension(mm)	2050*1083*240	1380*1115*70
Cutout (mm)	-	
Watt(W)	75W	
Rated Input Voltage(V)	AC230V	
Input Voltage(V)	AC220-240V	
LED Module Input	-	
Light Source	SMD2835	
SDCM	<6	
CCT(K)	3000K / 4000K / 5000K / 5700K	
CCT Selection	Yes	
Luminous Flux (lm) ±5%	9000-10500	
CRI	≥80	
Beam Angle (°)	80°×50° / 60°×60°×15°	
UGR	<16	
LED Driver	Driver built-in	
Dimming Protocol	Bluetooth	
Sensor	NO	
Emergency Kits	NO	
Electrical Class	Class I	
Ingress Protection (IP Rating)	IP20	
Impact Resistance (IK Rating)	-	
Product Finishing(Base)	White RAL9016	
Optics Material	PC / PET	
Housing Material	Aluminium	
Lifetime (hr)	50,000h	
Glow wire test (°C)	750°C	
Operating Temp. (°C)	-10°C ~40°C	
Storage Temp. (°C)	-20°C ~60°C	
Installation	Pedestal mounted / Desktop mounted	

Driver Datasheet(DALI)

Driver Code	LCA 85W 600–1800mA DT8 Ip PRE	LCA 75W 900–1800mA one4all Ip PRE	
Output	Output Voltage range	DC20-50V	DC20-46.9V
	Rated output current	85W@1700mA±5%	75W@1600mA±5%
	Line Regulation	±5%	
	Setup, Rise Time	≤1S@230V	
	Flickering Index	NO RISK	
Input	Input Voltage	AC198-264V	
	Rated Input Voltage(V)	AC220-240V	
	Frequency	47Hz-63Hz	
	Input Current	0.28A	0.28A
	Rated Input Current	0.25A	0.25A
	Power Factor	0.9	0.9
	THD	<20% @230V	
	Efficiency	≥90%	
	No load wattage	<0.5W	
	Protection	Short circuit protection	Pass
Over voltage protection		Pass	
Over temperature protection		Pass	
Safety &EMC	Withstand voltage	I/P-O/P:3.75KVAC5mA 60S; I/P-FG:1.6kV 5mA 60S	
	Isolation Resistance	I/P-FG O/P-FG: 500VDC,>2M Ω	
	Surge	IEC/EN61000-4-5 (P≥25w L-N:1KV, L/N-PE:2KV)	
	EMC Emission	EN55015,EN61000-3-2,EN61000-3-3, GB/T17743,GB17625.1,GB17625.2	
	EMC Immunity	EN61000-4-2,3,4,5,6,11, GB/T17626.2,3,4,5,6,11	

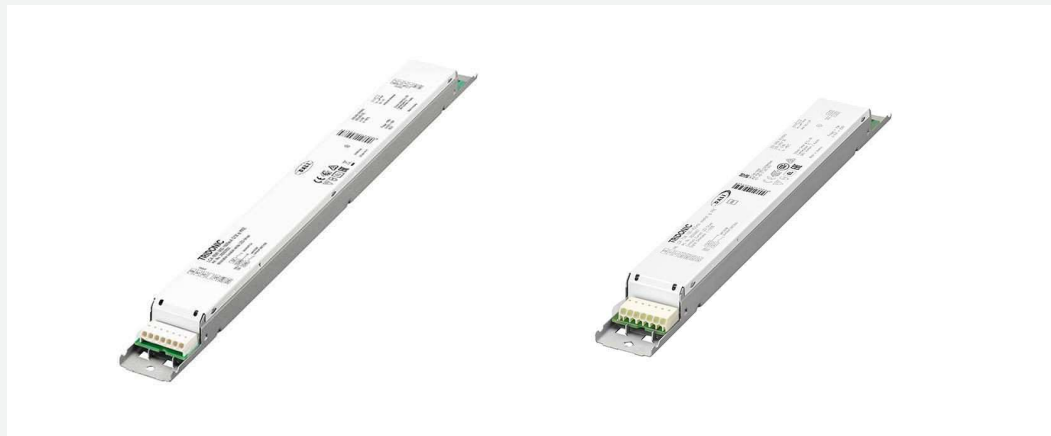
Benefits

Flexible configuration via companionSUITE

Application-oriented operating window for maximum compatibility

Best energy savings due to low stand-by losses and high efficiency

Flexible configuration via DALI, and I-SELECT 2



Driver LCA 85W 600–1800mA DT8 Ip PRE

Product description

Dimmable built-in constant current 2-channel LED driver with DALI-2 DT8

Dimming range 3 to 100 %

Suitable for luminaires of protection class I and protection class II (see data sheet chapter 3.4 for details)

Output current adjustable between 600 – 1,800 mA for each channel

Max. output power 85 W

Up to 90 % efficiency

Power input on stand-by < 0.5 W

Functions

Adjustable output current in 1-mA-steps (DALI) or with resistor plug (I-SELECT 2)

Constant light output function (CLO)

colourSWITCH with predefined colours

switchDIM and colourSWITCH with memory function

Power-up fading and fade2zero

Configurable via DALI

Protective features (overtemperature, short-circuit, overload, no-load, reduced surge amplification)

Intelligent Voltage Guard (overvoltage and undervoltage monitoring)

Driver LCA 75W 900–1800mA one4all Ip PRE

Product description

• NEW: lumDATA (DALI-2 part ext. 251, 252 and 253)

• Dimmable built-in constant current LED driver

• Dimming range 1 to 100 %

• For luminaires of protection class I and protection class II

• Output current adjustable between 900 – 1,800 mA

• Max. output power 75 W

• Up to 91 % efficiency

• Power input on stand-by < 0.15 W

Functions

• Adjustable output current in 1-mA-steps (DALI, ready2mains, I-SELECT 2)

• Fulfills DALI-2 parts: 251 (Luminaire data), 252 (Energy reporting) and 253 (Diagnostics & Maintenance)

• Constant light output function (CLO)

• Power-up fading at AC

• Configurable via ready2mains

• Switch off the driver with fade2zero

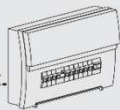
• Service monitor to log certain events

• Protective features (overtemperature, short-circuit, overload, no-load, input voltage range, reduced surge amplification)

• Intelligent Voltage Guard (overvoltage and undervoltage monitoring)

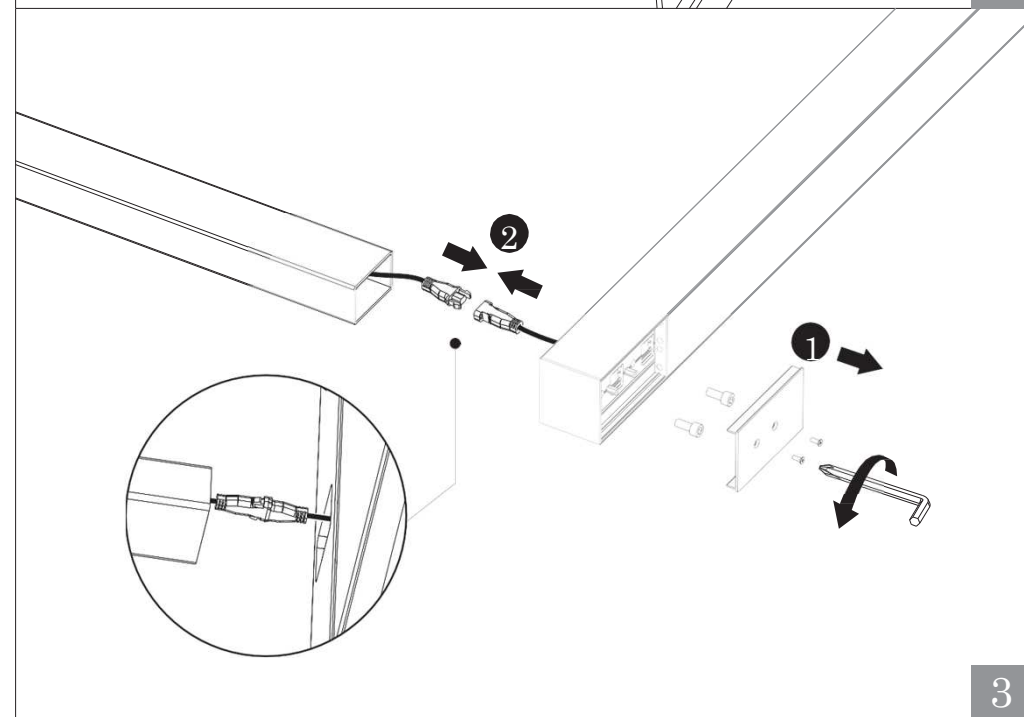
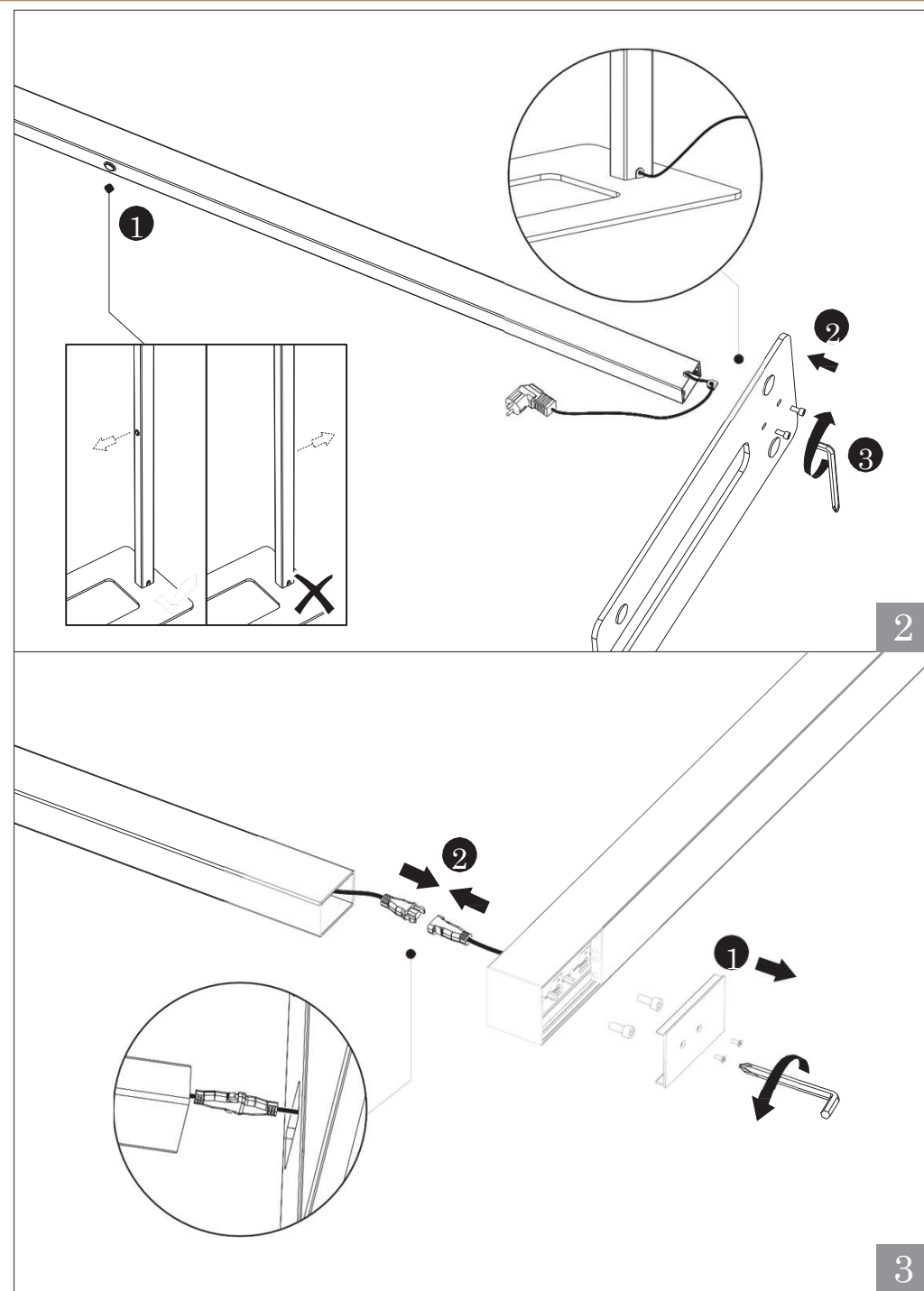
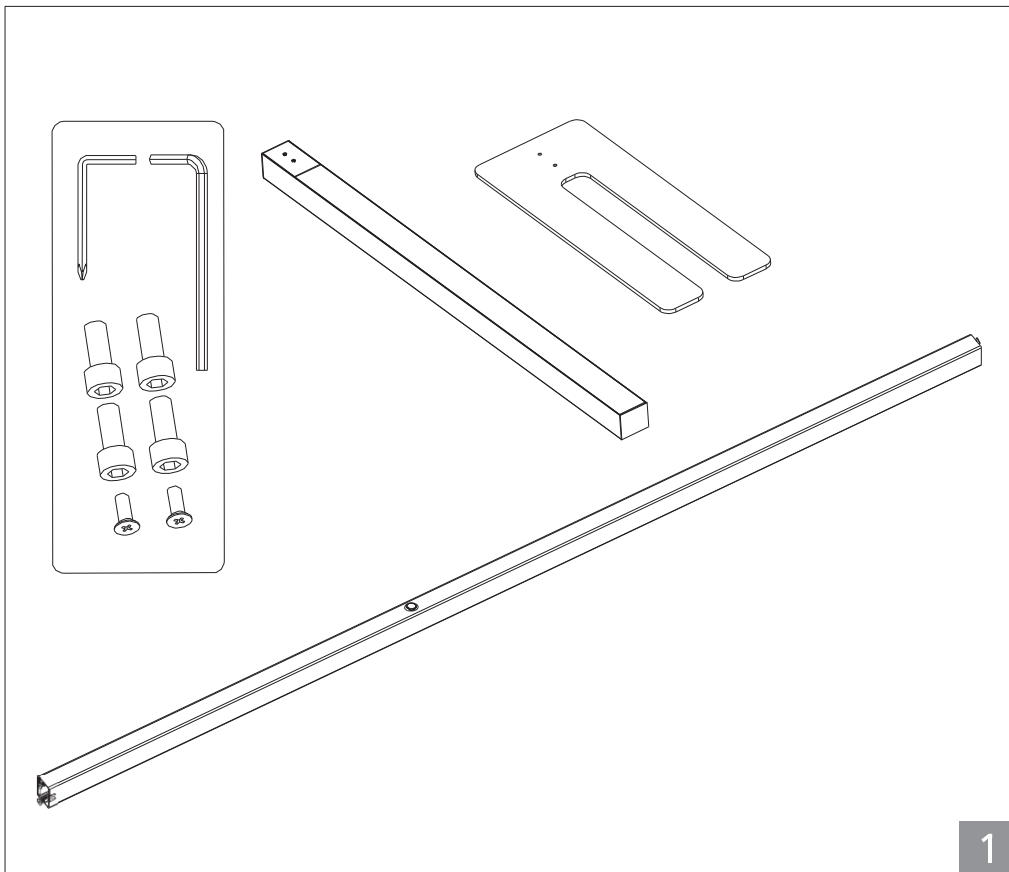
WARNING ⚡

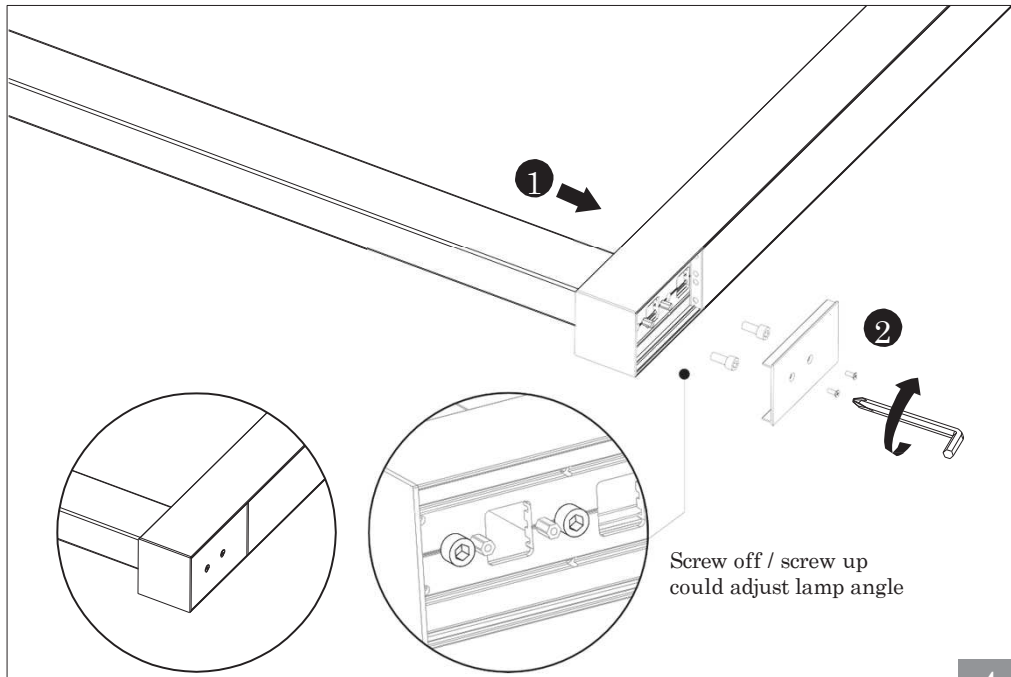
1. Switch off before installation / maintenance
2. Switch on only after complete installation and examination of the circuit.
3. Professional electrician for installation and maintenance only.



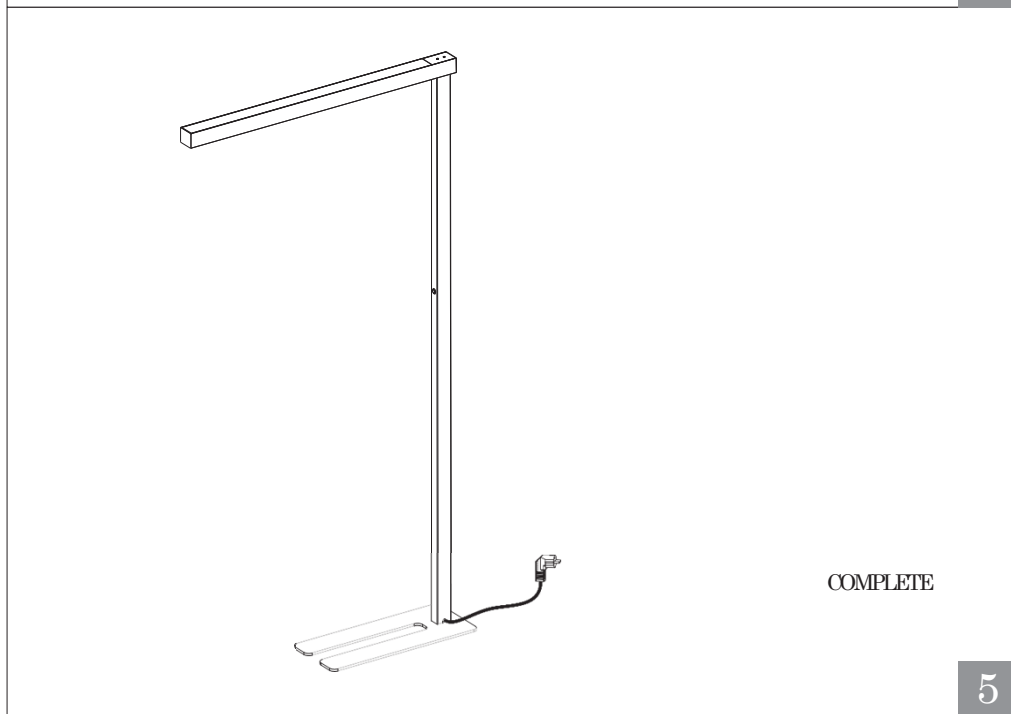
Turn Off
Power Supply

▣ Pedestal Installation



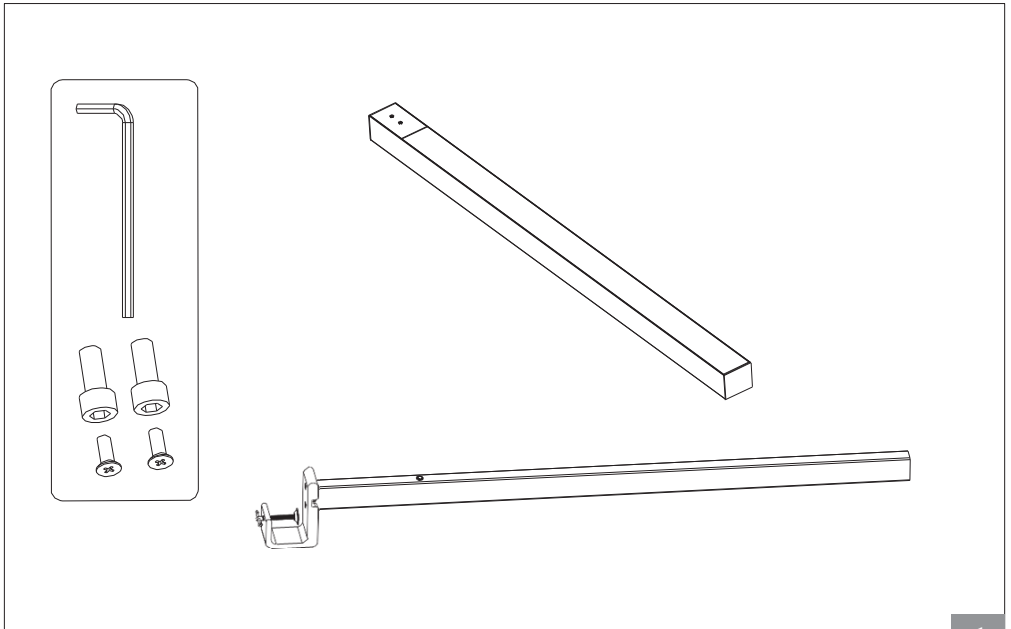


4

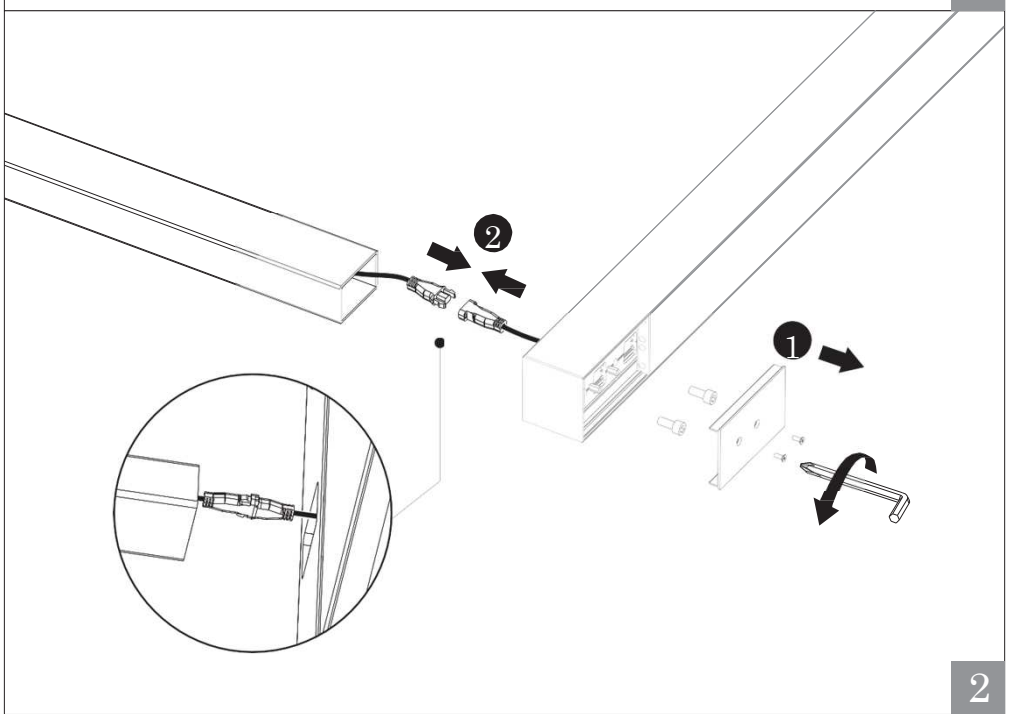


5

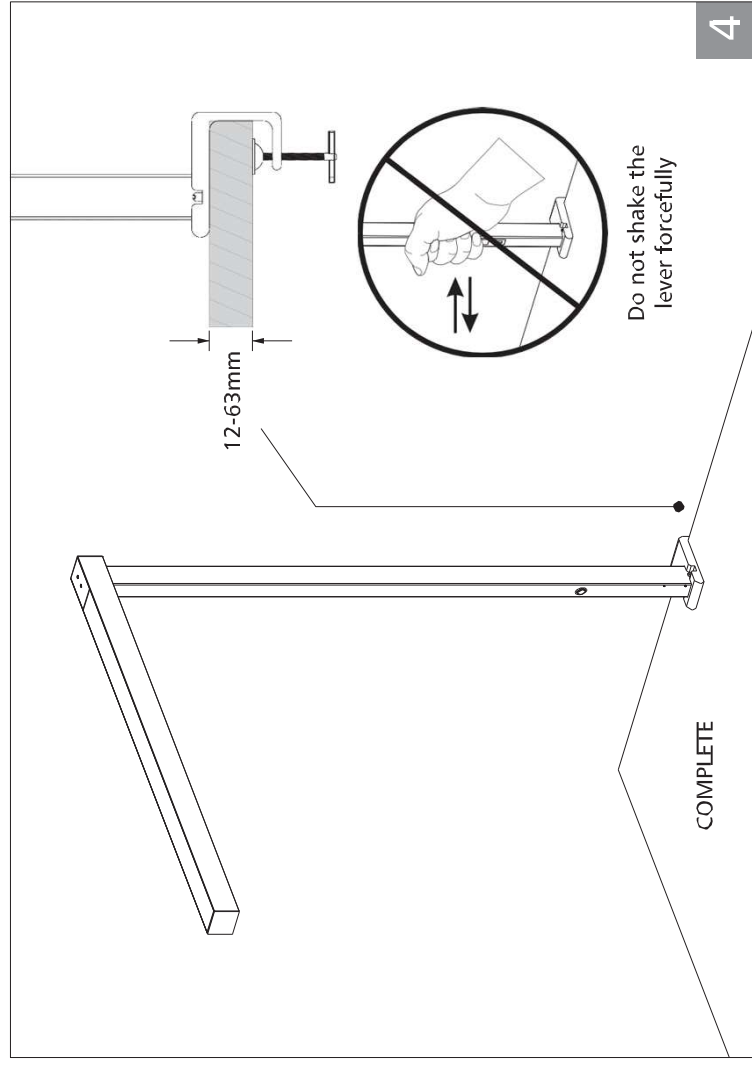
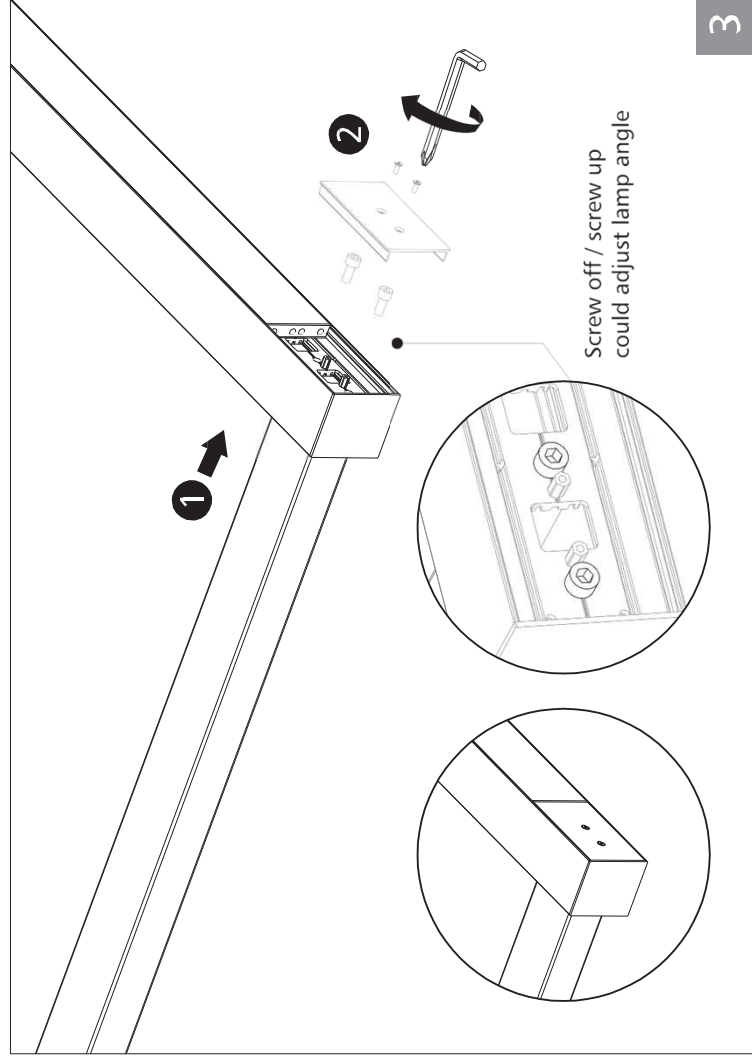
Desktop installation



1



2



ECO
Specifications

STD
Specifications

PRO
Specifications

ODM
Specifications


INT
Intelligent



RL Europe
Your partner in LED

www.rleurope.ch

info@rleurope.ch

TEL: +41 (0)91 6832255

Add: via E. Bossi 12/B, CH-6830 Chiasso (TI)