

Entry / ECO

Standard / STD

Professional / PRO

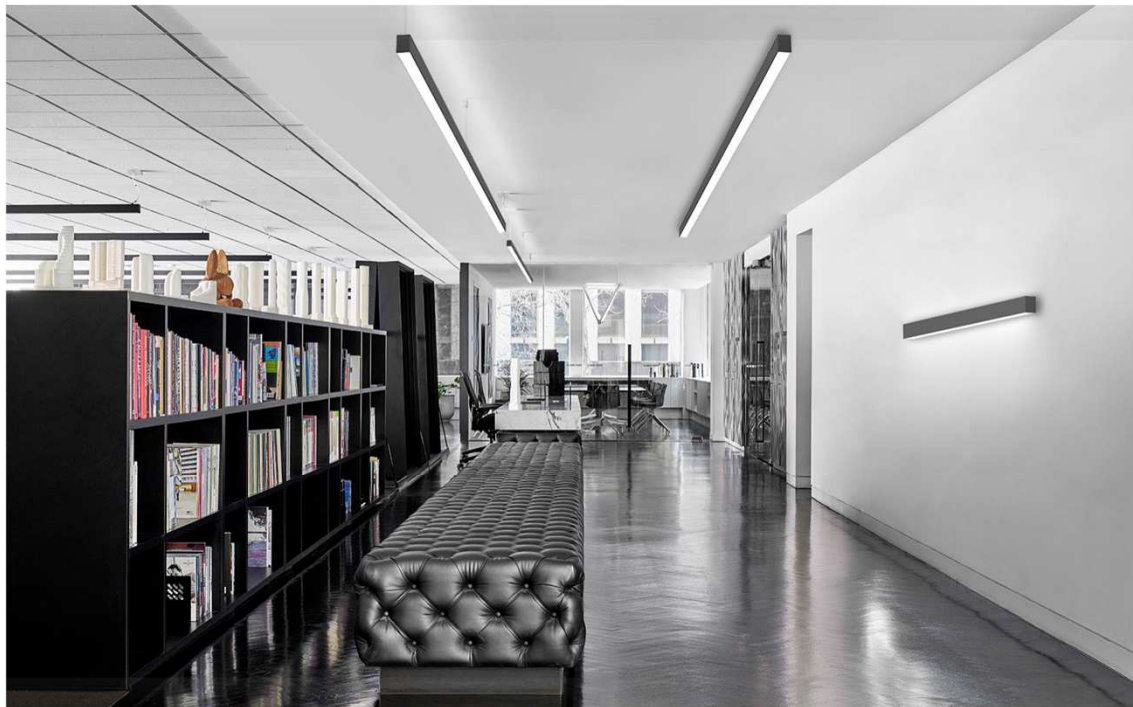
ODM & OEM

Intelligent / INT

STD
Specifications

LED Linear
DB77A Series

 **RL Europe**
Your partner in LED



Introduction

This linear fixture is a seamless splicing design, it can realize a very convenient connection with male and female plug. Adopt high lumen SMD light source, flicker free and high efficiency driver make a better lumen. Aluminum housing provides an excellent thermal management. Functions: Down lighting, up&down lighting, adjustable CCT, emergency and sensor. Mounting design: Pendant/surface mounted/wall mounted/recessed/Track. Modular design: Replaceable driver and emergency module.

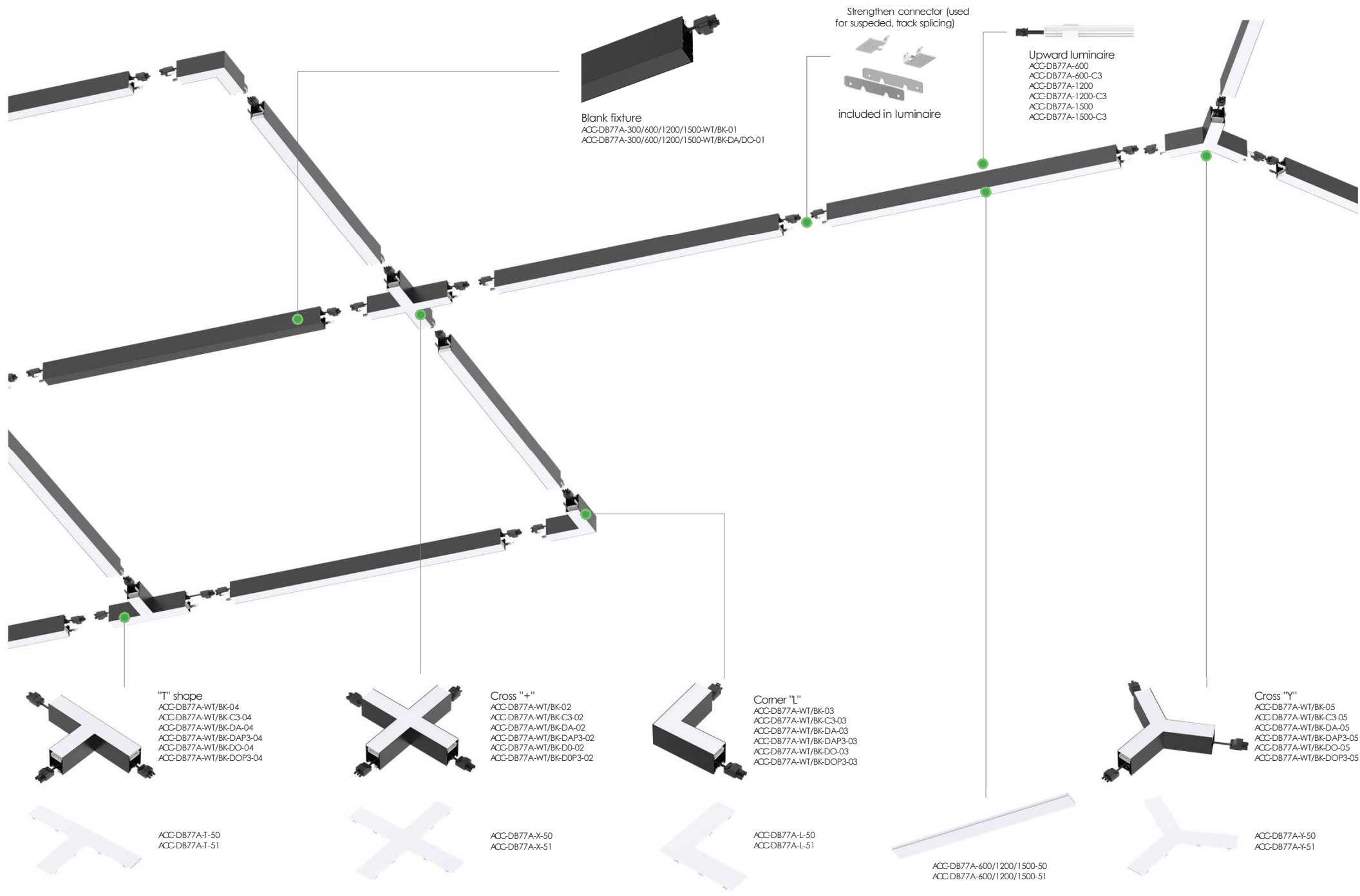
Features

- Multiple installation: Pendant/surface mounted/wall mounted/recessed/Track.
- Modular design with convenient replacement.
- High lumen efficiency.
- Interchangeable CCT(3000/4000/5700k) with slide switch.
- Non dim/DAI dim/1-10Vdim flicker free driver.
- With emergency and sensor function.
- Up and down light effect for wall mount and pendant installation.
- With Straight shape/L' shape/+ shape/T shape/Y' shape connectors, can do seamless splicing with DIY soft cover.

Application Areas

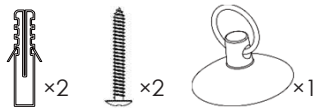
This linear fixture is widely used in shopping mall, office, car park, station, home.



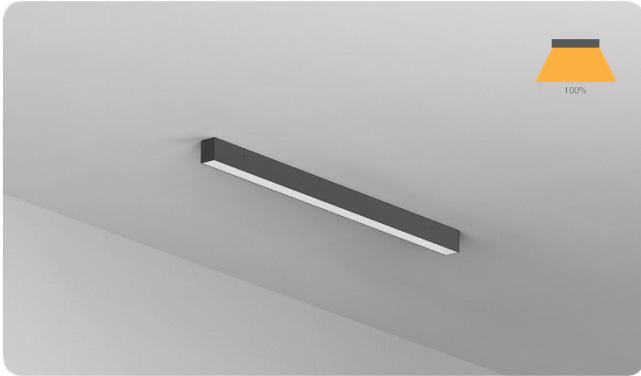


Accessory

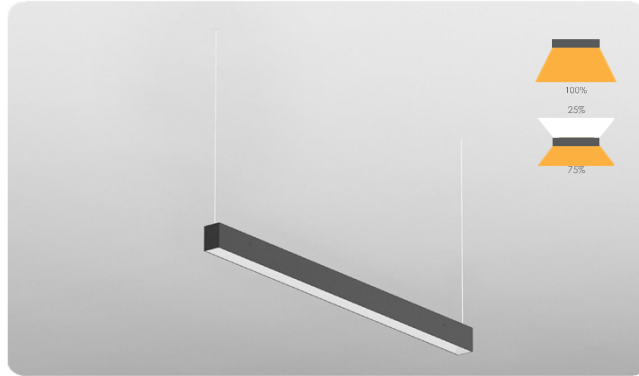
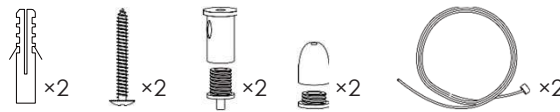
Surface Mounted



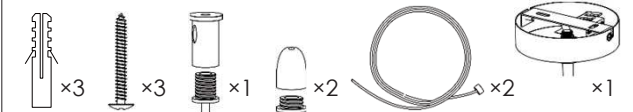
Accessory included



Suspended without ceiling plate



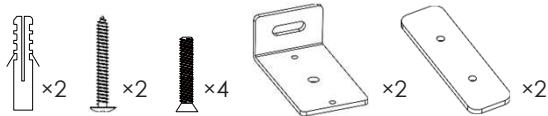
Suspended with ceiling plate



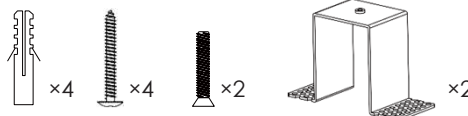
DALI ON/OFF Version: ACC-DB66-WT/BK-I/1-0200
10V Version: ACC-DB66-WT/BK-D A/DO-0200



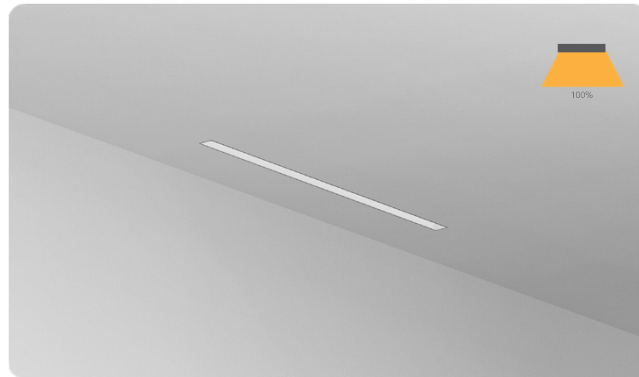
Wall Mounted



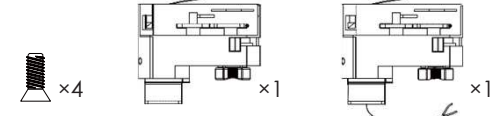
Recessed



ACC-DB66-WT/BK-0300



Track

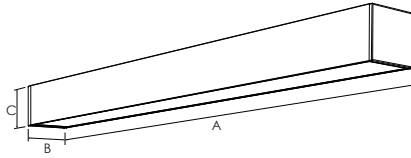


ON/OFF Version: ACC-DB66-WT/BK-0500DAI/1-10V
Version: ACC-DB66-WT/BK-DA/DO-0500



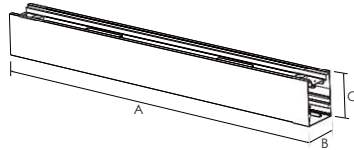
Measurement

DB77A



Code	Dimension(mm)			Size(mm)	Product Weight (Kg)		Package weight (Kg)		Carton Size(cm)	Qty/CTN	20GP (pcs)	40HQ (pcs)
	A	B	C		N.W/PC	G.W/PC	N.W/CTN	G.W/CTN				
600	602	57	76	602*57*76	1.7	2	10.2	12.1	66*31*25.5	6	2976	7500
1200	1212	57	76	1212*57*76	2.7	3.2	16.2	19.7	127*31*25.5	6	1440	3780
1500	1512	57	76	1512*57*76	3.5	4.2	21	25.2	157*31*25.5	6	1152	3060

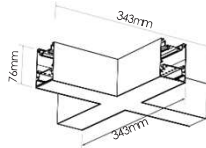
ACC-DB77A



Blank fixture
ACC-DB77A-300/600/1200/1500-WT/BK-01
ACC-DB77A-300/600/1200/1500-WT/BK-DA/DO-01

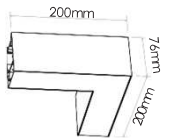
Code	Dimension(mm)			Size(mm)	Product Weight (Kg)		Package weight (Kg)		Carton Size (cm)	Qty /CTN	20GP (pcs)	40HQ (pcs)
	A	B	C		N.W/PC	G.W/PC	N.W/CTN	G.W/CTN				
ACC-DB77A-300-01	300	57	76	300*57*76	0.45	0.8	5.4	7.8	33.5*33*31.5	12	8568	19584
ACC-DB77A-600-01	590	57	76	590*57*76	0.78	1.1	4.7	6.6	66*31*25.5	6	2976	7500
ACC-DB77A-1200-01	1200	57	76	1200*57*76	1.6	2.1	9.6	12.6	127*31*25.5	6	1440	3780
ACC-DB77A-1500-01	1500	57	76	1500*57*76	2	2.7	12	15.9	157*31*25.5	6	1152	3060

Cross "+"
ACC-DB77A-WT/BK-02
ACC-DB77A-WT/BK-C3-02
ACC-DB77A-WT/BK-DA-02
ACC-DB77A-WT/BK-DAP3-02
ACC-DB77A-WT/BK-DO-02
ACC-DB77A-WT/BK-DOP3-02



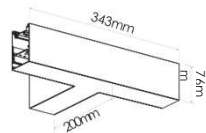
Code	Size(mm)	Carton Size(cm)	Qty/CTN
Cross "+"	343*343*76	51*36.5*37	6
N.W/PC(Kg)	G.W/PC(Kg)	N.W/CTN(Kg)	G.W/CTN(Kg)
1.2	1.4	7.2	9.5

Corner "L"
ACC-DB77A-WT/BK-03
ACC-DB77A-WT/BK-C3-03
ACC-DB77A-WT/BK-DA-03
ACC-DB77A-WT/BK-DAP3-03
ACC-DB77A-WT/BK-DO-03
ACC-DB77A-WT/BK-DOP3-03



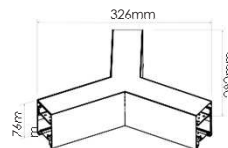
Code	Size(mm)	Carton Size(cm)	Qty/CTN
Corner "L"	200*200*76	51*44*23	12
N.W/PC(Kg)	G.W/PC(Kg)	N.W/CTN(Kg)	G.W/CTN(Kg)
0.8	0.9	9.6	11.8

"T" shape
ACC-DB77A-WT/BK-04
ACC-DB77A-WT/BK-C3-04
ACC-DB77A-WT/BK-DA-04
ACC-DB77A-WT/BK-DAP3-04
ACC-DB77A-WT/BK-DO-04
ACC-DB77A-WT/BK-DOP3-04



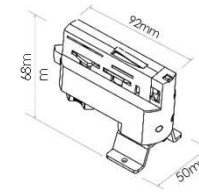
Code	Size(mm)	Carton Size(cm)	Qty/CTN
"T" shape	343*200*76	53.5*36.5*45	12
N.W/PC(Kg)	G.W/PC(Kg)	N.W/CTN(Kg)	G.W/CTN(Kg)
1	1.15	12	15

Cross "Y"
ACC-DB77A-WT/BK-05
ACC-DB77A-WT/BK-C3-05
ACC-DB77A-WT/BK-DA-05
ACC-DB77A-WT/BK-DAP3-05
ACC-DB77A-WT/BK-DO-05
ACC-DB77A-WT/BK-DOP3-05

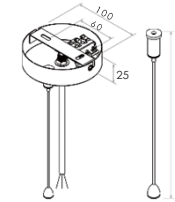


Code	Size(mm)	Carton Size(cm)	Qty/CTN
Cross "Y"	326*282*76	56*41.5*37	6
N.W/PC(Kg)	G.W/PC(Kg)	N.W/CTN(Kg)	G.W/CTN(Kg)
1.2	1.5	7.2	9.5

ACC-DB77A-WT/BK0500
ACC-DB77A-WT/BK-DA/DO-0500



Ceiling plate
ACC-DB66-WT/BK-0200
ACC-DB66-WT/BK-DA/DO-0200

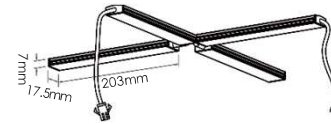


Code	Size(mm)	Carton Size(cm)	Qty/CTN
ACC-DB77A-0500	92*50*68	50*30*37.5	40
N.W/PC(Kg)	G.W/PC(Kg)	N.W/CTN(Kg)	G.W/CTN(Kg)
0.23	0.28	9.2	12.3

Code	Size(mm)	Carton Size(cm)	Qty/CTN
ACC-DB66-0200	100*25*1500	40*26*27	24
N.W/PC(Kg)	G.W/PC(Kg)	N.W/CTN(Kg)	G.W/CTN(Kg)
0.27	0.31	6.48	7.82

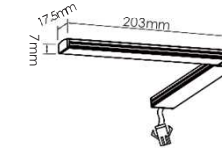
Upward luminaire

ACC-DB77A-X
ACC-DB77A-X-C3



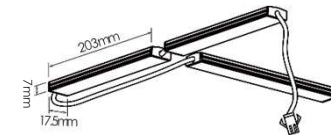
Code	Size(mm)	Carton Size(cm)	Qty/CTN
ACC-DB77A-X	(203*17.5*7)*4	28.5*19*11	25
N.W/PC(Kg)	G.W/PC(Kg)	N.W/CTN(Kg)	G.W/CTN(Kg)
0.08	-	2	2.2

ACC-DB77A-L
ACC-DB77A-L-C3



Code	Size(mm)	Carton Size(cm)	Qty/CTN
ACC-DB77A-L	(203*17.5*7)*2	28.5*19*10	50
N.W/PC(Kg)	G.W/PC(Kg)	N.W/CTN(Kg)	G.W/CTN(Kg)
0.04	-	2	2.2

ACC-DB77A-T
ACC-DB77A-T-C3



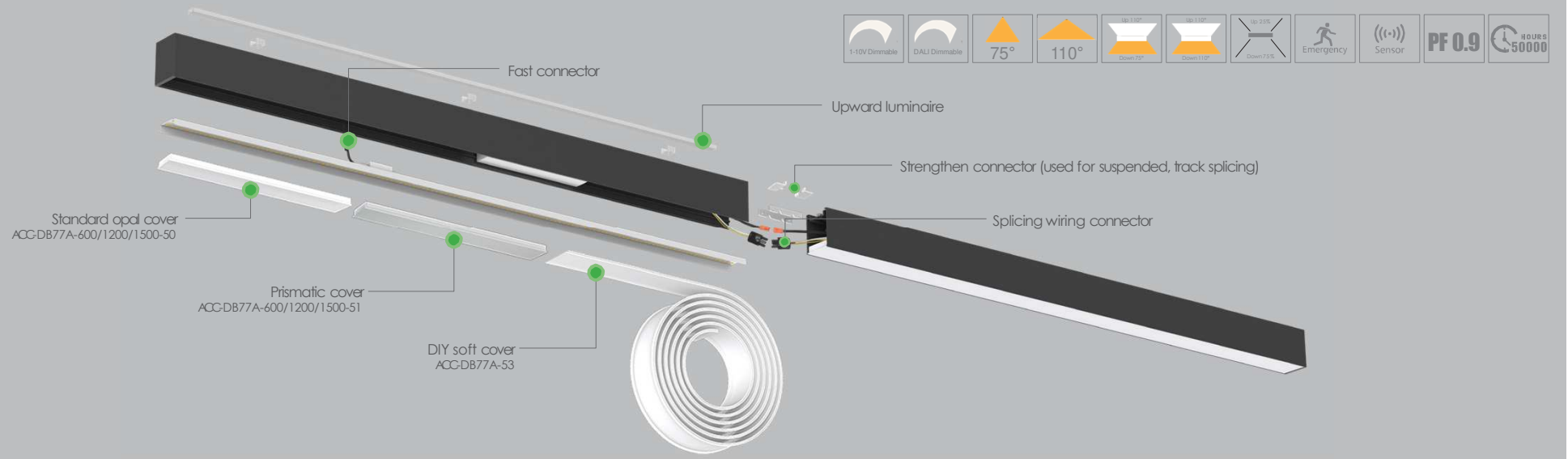
Code	Size(mm)	Carton Size(cm)	Qty/CTN
ACC-DB77A-T	(203*17.5*7)*3	28.5*19*10	20
N.W/PC(Kg)	G.W/PC(Kg)	N.W/CTN(Kg)	G.W/CTN(Kg)
0.06	-	1.2	1.4

(applicable for "Y" shape)

ACC-DB77A-600
ACC-DB77A-600-C3
ACC-DB77A-1200
ACC-DB77A-1200-C3
ACC-DB77A-1500
ACC-DB77A-1500-C3



Code	Dimension(mm)			Product Weight (Kg)		Package weight (Kg)		Carton Size(cm)	Qty /CTN	
	A	B	C	N.W/PC	G.W/PC	N.W/CTN	G.W/CTN			
600	493	17.5	7	493*17.5*7	0.08	-	1.6	3.5	58.5*31.5*13	20
1200	1104	17.5	7	1104*17.5*7	0.17	-	3.4	6.5	119.5*31.5*13	20
1500	1403	17.5	7	1403*17.5*7	0.21	-	4.2	7.8	149.5*31.5*13	20



Technical Data Sheet

Code No.	DB77A-600-17W	DB77A-600-22W	DB77A-1200-36W	DB77A-1200-45W	DB77A-1500-45W	DB77A-1500-56W	Cross "+"				Corner "L"		"T" shape		Cross "Y"					
Dimension(mm)	602*57*76		1212*57*76				1512*57*76				343*343*76				200*200*76		343*200*76		326*282*76	
Cutout (mm) (Recessed version)	-																			
Watt(W)	Direct	17W	17W	36W	36W	45W	45W	15W	15W	20W	20W	10W	10W	15W	15W	15W	15W			
	Indirect	-	5W	-	9W	-	11W	-	3W	-	5W	-	3W	-	5W	-	5W			
Rated Input Voltage(V)	220-240VAC																			
Input Voltage(V)	AC198-264V / 180-264VAC						AC198-264V / 180-264VAC													
LED Module Input	-																			
Light Source	SMD																			
SDCM	<6 (@3000K 4000K 5000K)																			
CCT(K)	1-CCT: 3000K/4000K/5700K						3-CCT: 3000K + 4000K + 5700K													
CCT Selection DIP Switch	YES																			
Luminous Flux (lm) ±5% (Standard cover)	Non-DIM	1-CCT	1500-1650	2000-2200	3350-3750	4000-4700	4000-4700	5100-5900	-	-	1800-2300	2350-2800	950-1150	1150-1450	1400-1650	1800-2150	1400-1650	1800-2150		
		DIM	1480-1610	1950-2150	3300-3700	3900-4600	3900-4600	5000-5800	1350-1600	1850-2150	-	-	900-1100	1100-1400	1350-1600	1750-2100	1350-1600	1750-2100		
	Non-DIM	3-CCT	1500-1680	2000-2250	3350-3850	4000-4850	4000-4850	5100-6000	-	-	1800-2300	2350-2800	950-1150	1150-1450	1400-1650	1800-2150	1400-1650	1800-2150		
		DIM	1480-1650	1950-2200	3300-3800	3900-4750	3900-4750	5000-5900	1350-1600	1850-2150	-	-	900-1100	1100-1400	1350-1600	1750-2100	1350-1600	1750-2100		
Luminous Flux (lm) ±5% (Prismatic cover)	Non-DIM	1-CCT	1350-1500	1780-2100	2800-3300	3700-4400	3650-4350	4500-5200	-	-	1500-1800	2000-2500	750-950	950-1250	1100-1350	1650-1900	1100-1350	1650-1900		
		DIM	1300-1450	1750-2000	2700-3200	3600-4300	3550-4250	4400-5100	1250-1450	1750-2050	-	-	700-900	900-1200	1050-1300	1600-1850	1050-1300	1600-1850		
	Non-DIM	3-CCT	1350-1550	1780-2150	2800-3400	3700-4500	3650-4450	4500-5400	-	-	1500-1800	2000-2500	750-950	950-1250	1100-1350	1650-1900	1100-1350	1650-1900		
		DIM	1300-1500	1750-2050	2700-3300	3600-4400	3550-4350	4400-5300	1250-1450	1750-2050	-	-	700-900	900-1200	1050-1300	1600-1850	1050-1300	1600-1850		
CRI	80																			
Beam Angle (°) (Standard cover)	Down 110°		UP 110° Down 110°		Down 110°		UP 110° Down 110°		Down 110°		UP 110° Down 110°		Down 110°		UP 110° Down 110°		Down 110°		UP 110° Down 110°	
Beam Angle (°) (Prismatic cover)	Down 75°		UP 110° Down 75°		Down 75°		UP 110° Down 75°		Down 75°		UP 110° Down 75°		Down 75°		UP 110° Down 75°		Down 75°		UP 110° Down 75°	
UGR	-																			
LED Driver	Built-in						Built-in													
Dimming Option	DALI/1-10V						DALI/1-10V				NO		DALI/1-10V							
Sensor	NO						YES													
Emergency Kits	NO						YES													
Electrical Class	Class I						Class I													
Ingress Protection (IP Rating)	IP20						IP20													
Impact Resistance (IK Rating)	-																			
Product Finishing(Base)	White RAL 9016/Black RAL 9005						White RAL 9016/Black RAL 9005													
Optics Material	PC																			
Housing Material	Aluminium						Aluminium													
Lifetime (hr)	50,000h																			
Glow wire test (°C)	750°C (Cover)						750°C (Cover)													
Operating Temp (°C)	-20°C ~45°C						-20°C ~45°C													
Storage Temp (°C)	-20°C ~65°C						-20°C ~65°C													
Installation	Pendant / Surface mount / wall mount / Recessed / Track																			

Remark: The lumen value based on white lamp, if with black lamp, lumen will decrease around 3%

Driver Datasheet(Non-dimmable)

Total load wattage		10W	15W	17W	22W	20W	36W	45W	45W	56W
Output	Output Voltage range	DC25-40V	DC23-42V	DC23-51V		DC28-42V	DC 23-54V			
	Rated output current	300mA	450mA	500mA		600mA	1100mA		1350mA	
	Line Regulation	±7.5%								
	Setup, Rise Time	≤0.5S/230VAC								
	Flickering Index	≤1%(No Risk)								
Input	Input Voltage	AC198-264V								
	Rated Input Voltage(V)	AC200-240V								
	Frequency	50/60Hz								
	Input Current	≤0.06A	≤0.09A	≤0.11A	≤0.13A	≤0.13A	≤0.21A	≤0.26A	≤0.26A	≤0.32A
	Rated Input Current	≤0.06A	≤0.09A	≤0.1A	≤0.12A	≤0.11A	≤0.19A	≤0.23A	≤0.23A	≤0.29A
	Power Factor	0.9								
	THD	<15% @ 230VAC								
	Efficiency	82%	86%		84%	86%				
	No load wattage	<0.5W								
	Protection	Short circuit protection	PASS							
Over voltage protection		PASS								
Over temperature protection		PASS								
Safety & EMC	Withstand voltage	I/P-O/P:3.75kVac,<5mA 60S				I/P-FG:1.5kVac,<5mA 60S				
	Isolation Resistance	500VDC, ≥2M Ω								
	Surge	IEC/EN61000-4-5 (P<25W; L-N:500V, L/N-PE:1KV)					IEC/EN61000-4-5 (P≥25W L-N:1KV, L/N-PE:2KV)			
	EMC Emission	IEC/EN55015, IEC/EN61000-3-2								
	EMC Immunity	IEC/EN61000-4-2,3,4,5,6,8,11; IEC/EN61547								

Driver Datasheet(1-10V-dimmable)

Total load wattage		10W	15W	17W	22W	36W	45W	45W	56W	
Output	Output Voltage range	DC 3-42V								
	Rated output current	300mA	450mA	500mA		1100mA		1350mA		
	Line Regulation	±5%								
	Setup, Rise Time	≤0.5S/230VAC								
	Flickering Index	≤1%(No Risk)								
Input	Input Voltage	180-264VAC								
	Rated Input Voltage(V)	200-240VAC								
	Frequency	50/60Hz								
	Input Current	≤0.07A	≤0.1A	≤0.11A	≤0.13A	≤0.23A	≤0.28A	≤0.28A	≤0.35A	
	Rated Input Current	≤0.06A	≤0.09A	≤0.1A	≤0.12A	≤0.2A	≤0.25A	≤0.25A	≤0.32A	
	Power Factor	0.9								
	THD	<20% @ 230VAC								
	Efficiency	83%	86%		88%					
	No load wattage	<0.5W								
	Protection	Short circuit protection	PASS							
Over voltage protection		PASS								
Over temperature protection		PASS								
Safety & EMC	Withstand voltage	I/P-O/P:3.75kVac,<5mA 60S				I/P-FG:1.5kVac,<5mA 60S				
	Isolation Resistance	500VDC, ≥2M Ω								
	Surge	IEC/EN61000-4-5 (P<25W; L-N:500V, L/N-PE:1KV)					IEC/EN61000-4-5 (L-N:1KV, L/N-PE:2KV)			
	EMC Emission	IEC/EN55015, IEC/EN61000-3-2								
	EMC Immunity	IEC/EN61000-4-2,3,4,5,6,8,11; IEC/EN61547								

Driver Datasheet(DALI-dimmable)

Total load wattage		10W	15W	17W	22W	36W	45W	45W	56W	
Output	Output Voltage range	DC 3-42V								
	Rated output current	300mA	450mA	500mA		1100mA		1350mA		
	Line Regulation	±5%								
	Setup, Rise Time	≤0.7S/230VAC								
	Flickering Index	≤1%(No Risk)								
Input	Input Voltage	180-264VAC								
	Rated Input Voltage(V)	200-240VAC								
	Frequency	50/60Hz								
	Input Current	≤0.07A	≤0.1A	≤0.11A	≤0.13A	≤0.23A	≤0.28A	≤0.28A	≤0.35A	
	Rated Input Current	≤0.06A	≤0.09A	≤0.1A	≤0.12A	≤0.2A	≤0.25A	≤0.25A	≤0.32A	
	Power Factor	0.9								
	THD	<20% @ 230VAC								
	Efficiency	83%	86%		88%					
	No load wattage	<0.5W								
	Protection	Short circuit protection	PASS							
Over voltage protection		PASS								
Over temperature protection		PASS								
Safety & EMC	Withstand voltage	I/P-O/P:3.75kVac,<5mA 60S				I/P-FG:1.5kVac,<5mA 60S				
	Isolation Resistance	500VDC, ≥2M Ω								
	Surge	IEC/EN61000-4-5 (P<25W; L-N:500V, L/N-PE:1KV)					IEC/EN61000-4-5 (P≥25W L-N:1KV, L/N-PE:2KV)			
	EMC Emission	IEC/EN55015, IEC/EN61000-3-2								
	EMC Immunity	IEC/EN61000-4-2,3,4,5,6,8,11; IEC/EN61547								

Driver Datasheet (Emergency)

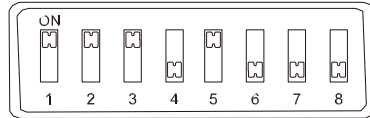
Power		3W
Rated Input Voltage(V)	AC230V	
Frequency	50/60Hz	
Input Voltage	AC200-240V	
Total load wattage	3W±0.5W	
Rated Input Current	≤0.023A	
Battery	6.4V 1500mAh (LifepO4)	
Lifetime	2000 cycles	
Battery duration	≥3hrs	
Charge Period	≤24hrs	
Emergency switching time	≤1S	

Driver Datasheet (Sensor)

Sensor datasheet	
Operating voltage	220-240VAC 50/60Hz
Power consumption	1.5W±0.5W
Microwave frequency	5.8GHz±75MHz, ISM wave band
Transmission power	<0.5mW
Detection angle	140°
Detection Area	100%/75%/50%/25%(4-7M)
Hold time	5S/30S/90S/5Min/20Min/30Min
Daylight sensor	2lux/10lux/30lux/50lux/Disable
Stand-by DIM Level	-
Stand-by Period	-
Dimming Range	-
Microwave ON/OFF function	-
Installation Height	Recommended Installation Height: 1.8m Ceiling mounted height 3m.
Operating temperature(°C)	-20°C~60°C

Factory settings:

Detection Area	Hold Time	Daylight Sensor
100%	90S	30Lux



Sensor setting

Detection Area			
	1	2	
I	ON	ON	100%
II	-	ON	75%
III	ON	-	50%
IV	-	-	25%

Hold Time				
	3	4	5	
I	ON	ON	ON	5S
II	-	ON	ON	30S
III	ON	-	ON	90S
IV	-	-	ON	5min
V	ON	ON	-	20min
VI	-	-	-	30min

Daylight Sensor			
	6	7	8
I	ON	ON	ON
II	ON	ON	-
III	-	ON	-
IV	ON	-	-
V	-	-	-

Detection area:

Sensor test condition: The test is based on 3m height, the detect distance radius is based on ground, the detect distance can be adjusted through the slide switch.

Sensor test environment and reference: The detective range is measured by human body whose stature is around 1.6-1.7M with medium size and traveling speed is around 1.0-1.5M per second. If the stature, bodily form and traveling speed are changed then the detective range will be changed accordingly.

Sensor lamp's reaction under open/narrow environment: Test result will be highly influenced by test environment, the more open environment, the closer detect distance; the narrower environment, the longer detect distance. The detector may do self-excitation in a narrow environment.

Sensor Setting based on environmental disturbance: Some environmental disturbances will cause abnormal induction, such as the lamp can not automatically turn off for a long time or the sensor function is invalid, then users can adjust sensor distance to reach the ideal effect. It is recommended to adjust the sensing distance to 50% for the environment where near the heavy equipment, metal sheets and metal pipes, concrete wall (<30cm thickness) etc. Recommend to keep 100% sensor distance in open environment. For environment where near the routers, telecommunications base stations, electrical machinery etc, it is recommended to keep the installation distance of more than 5 meters and adjust to 50% sensor distance.

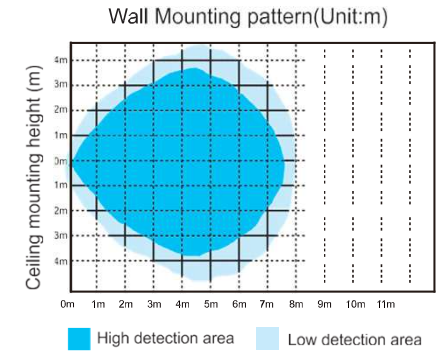
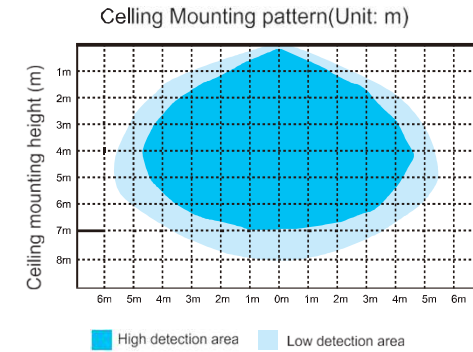
Hold time:

Notice 1: The hold time can be selected by the slide switch. The hold time counting should be started after the sensor is powered on and initialized.

Daylight sensor:

Notice 1: The light threshold can be selected through the slide switch, it may cause a large deviation in different lamps.

Induction Range



Function Table	DB77A-600		DB77A-1200		DB77A-1500		Cross "+"			Corner "L"		"T" shape		Cross "Y"		
Watt(W)	17W	22W	36W	45W	45W	56W	15W	18W	20W	25W	10W	13W	15W	20W	15W	20W
Non-dim	√	√	√	√	√	√	√	√	√	√	√	√	√	√	√	√
Non-dim+CCT Switchable	√	√	√	√	√	√	√	√	√	√	√	√	√	√	√	√
Emergency	-	-	√	√	√	√	-	-	-	-	-	-	-	-	-	-
Emergency+Non-Dim+CCT Switchable	-	-	√	√	√	√	-	-	-	-	-	-	-	-	-	-
Sensor	-	-	√	√	√	√	-	-	-	-	-	-	-	-	-	-
Sensor+CCT Switchable	-	-	√	√	√	√	-	-	-	-	-	-	-	-	-	-
0-10V Dim	√	√	√	√	√	√	√	√	-	-	√	√	√	√	√	√
0-10V+CCT Switchable	√	√	√	√	√	√	√	√	-	-	√	√	√	√	√	√
DALI Dim	√	√	√	√	√	√	√	√	-	-	√	√	√	√	√	√
DALI+CCT Switchable	√	√	√	√	√	√	√	√	-	-	√	√	√	√	√	√

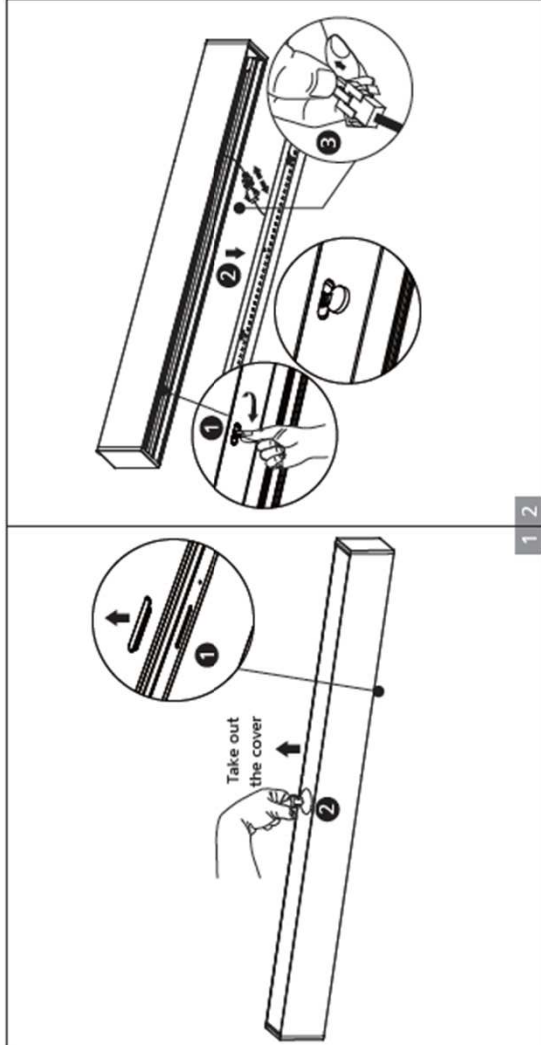
Installation Procedure



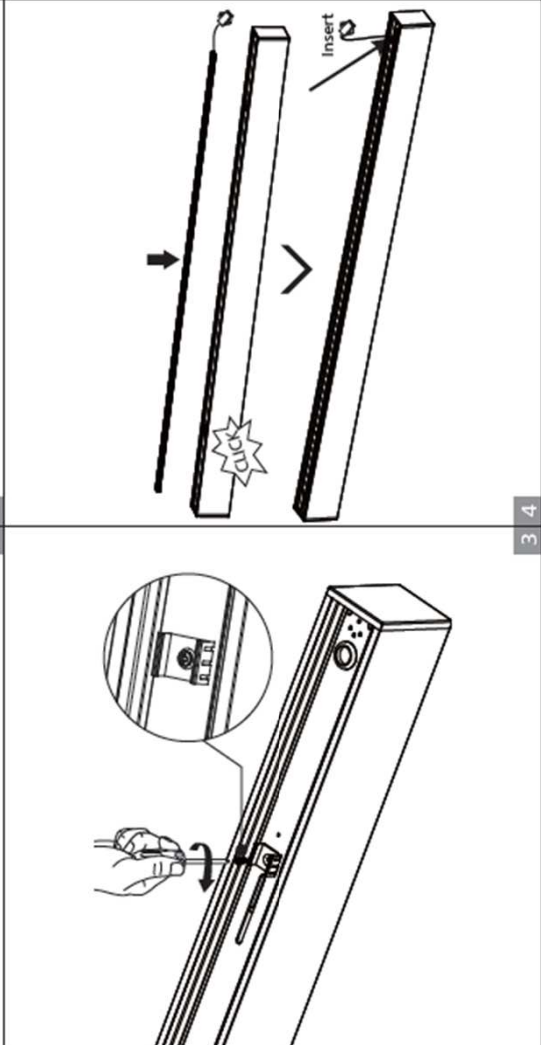
- WARNING**
1. Switch off before installation.
 2. Switch on only after complete installation and examination of the circuit.
 3. Professional electrician for installation and maintenance only.

Turn Off power supply before starting any installation. Read instructions & check you have all the tools & accessories to complete the installation correctly.

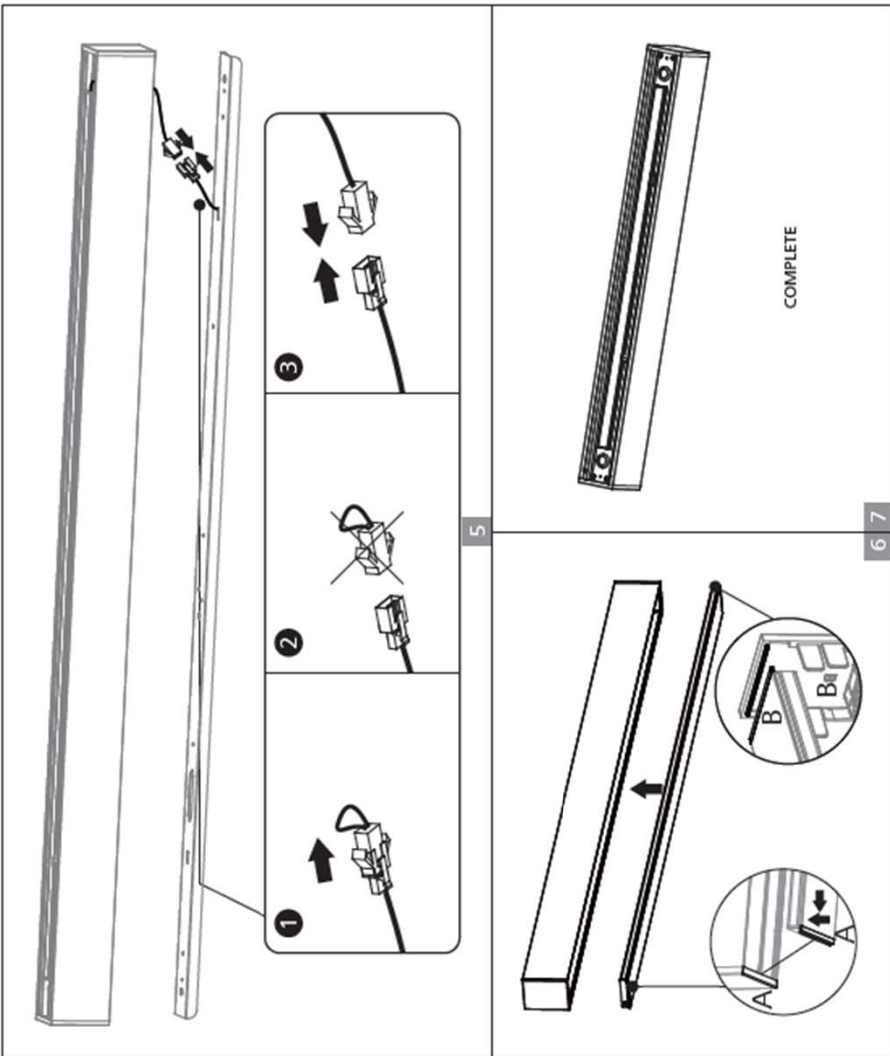
Up & down lighting distribution by adding upward LED module (if needed)



1 2



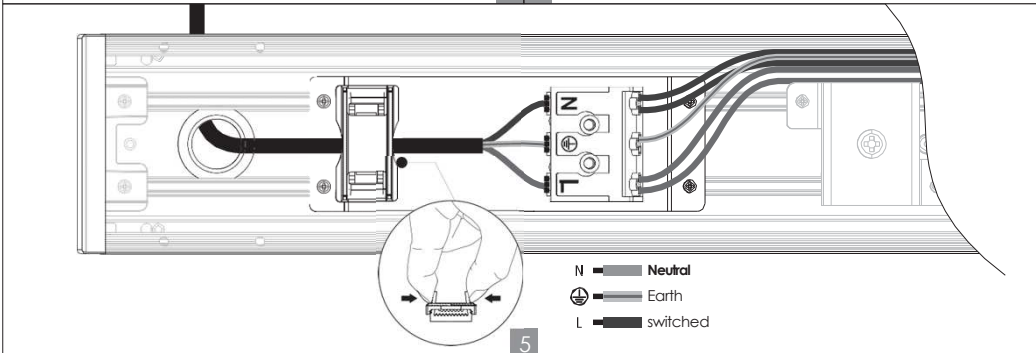
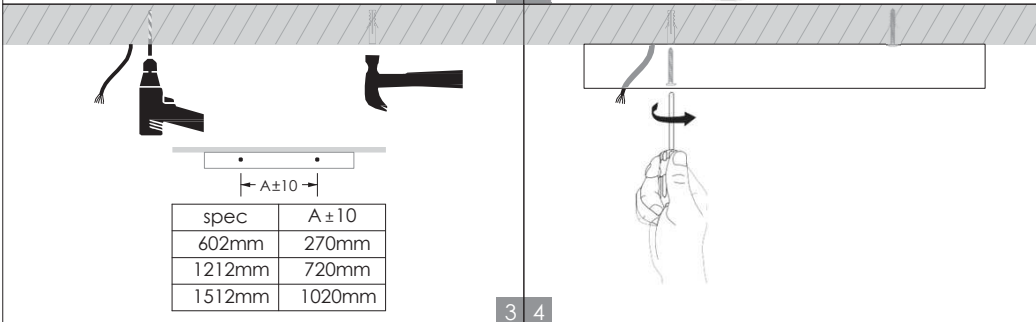
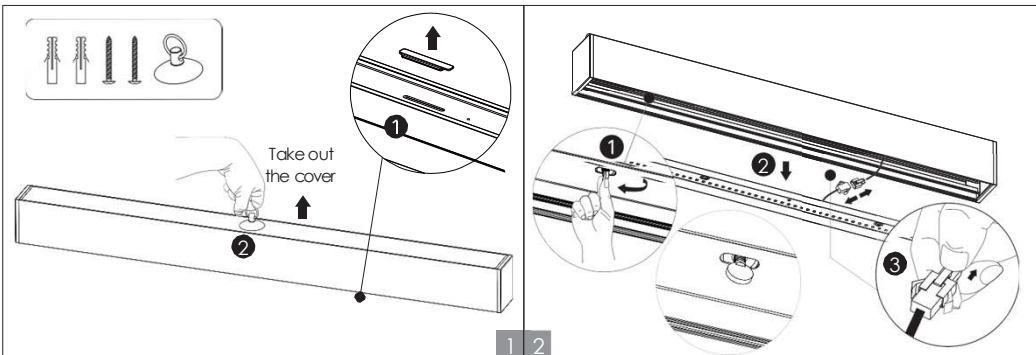
3 4



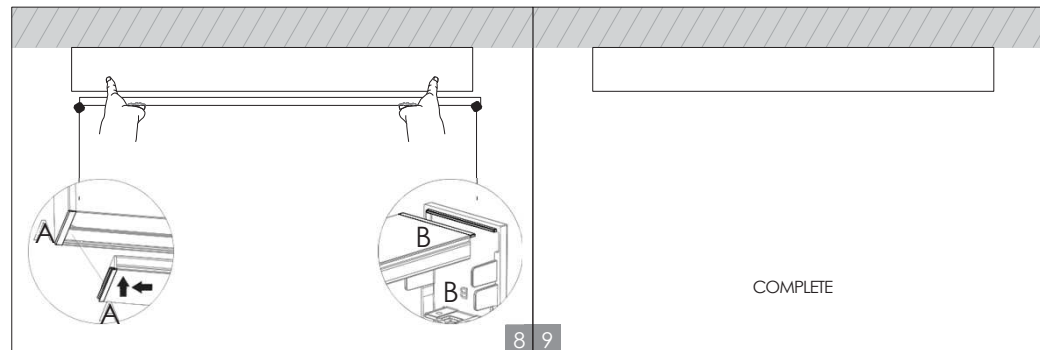
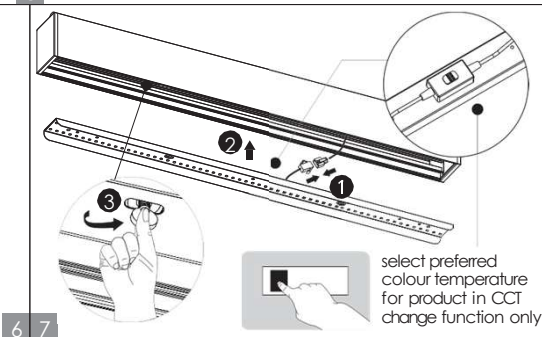
6 7

COMPLETE

Surface mounted installation

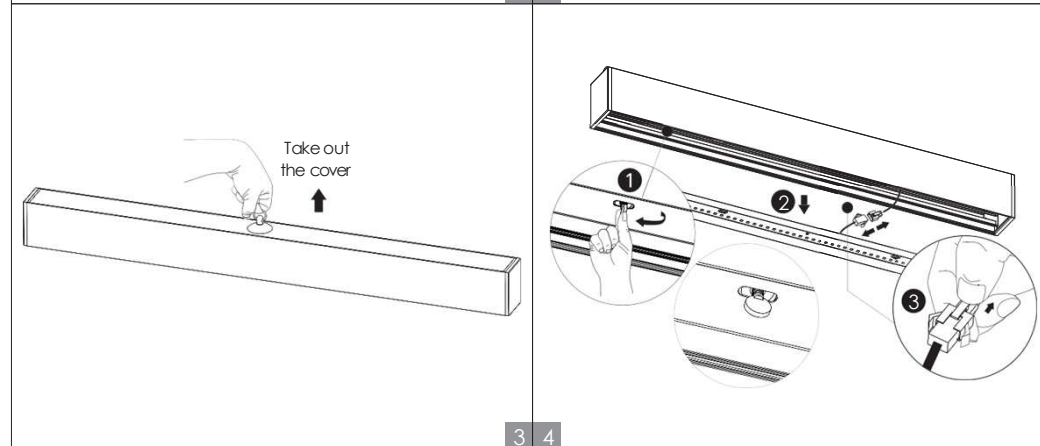
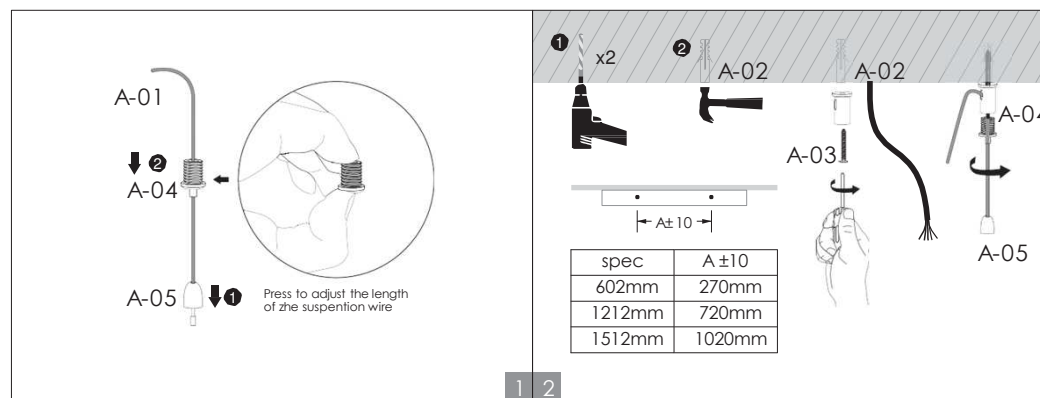


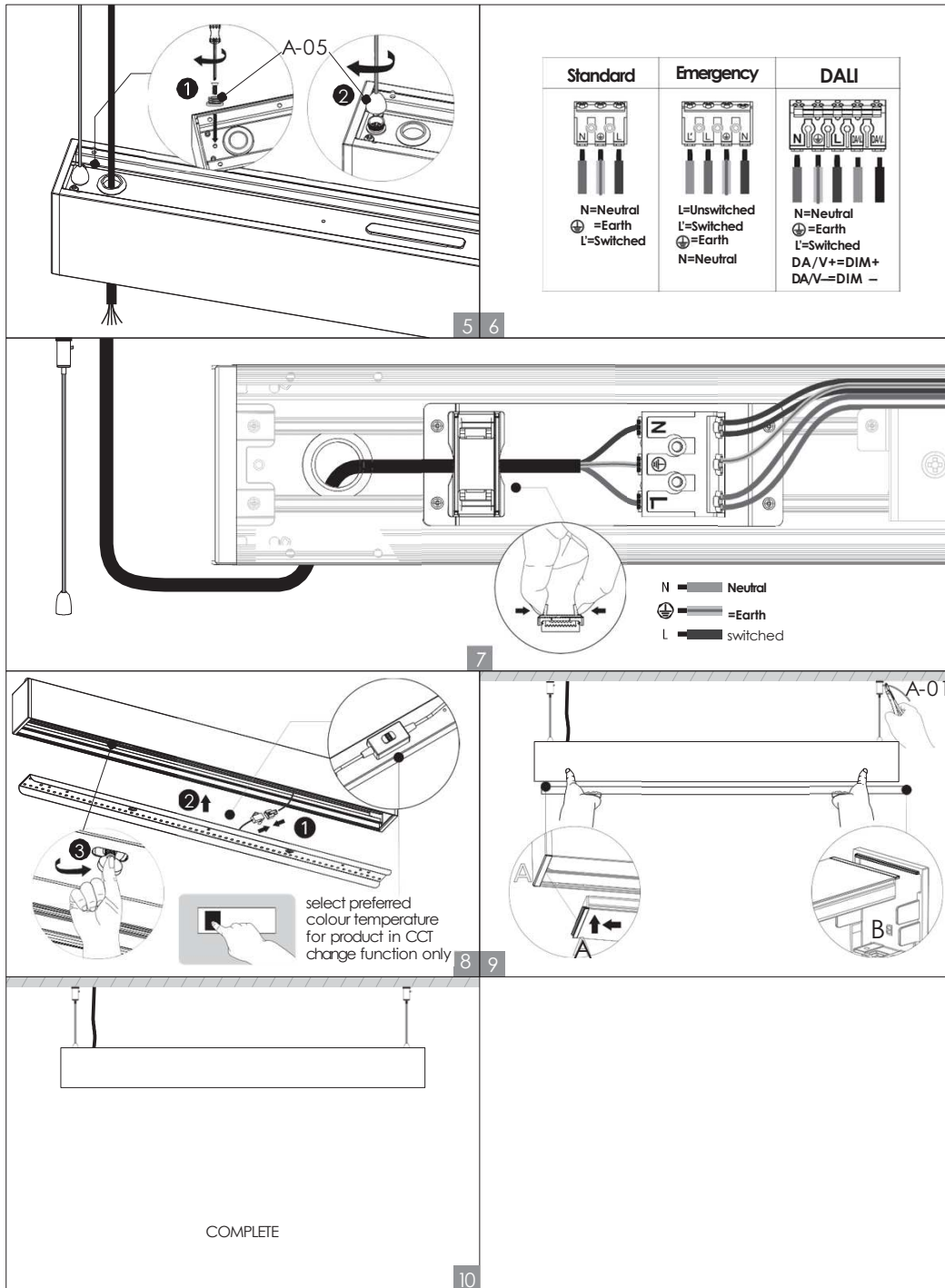
Standard	Emergency	DALI
N=Neutral ⊕=Earth L=Switched	L=Unswitched ⊕=Earth N=Neutral	N=Neutral ⊕=Earth L=Switched DA/V+=DIM+ DA/V-=DIM-



Suspended installation (Without round ceiling plate)

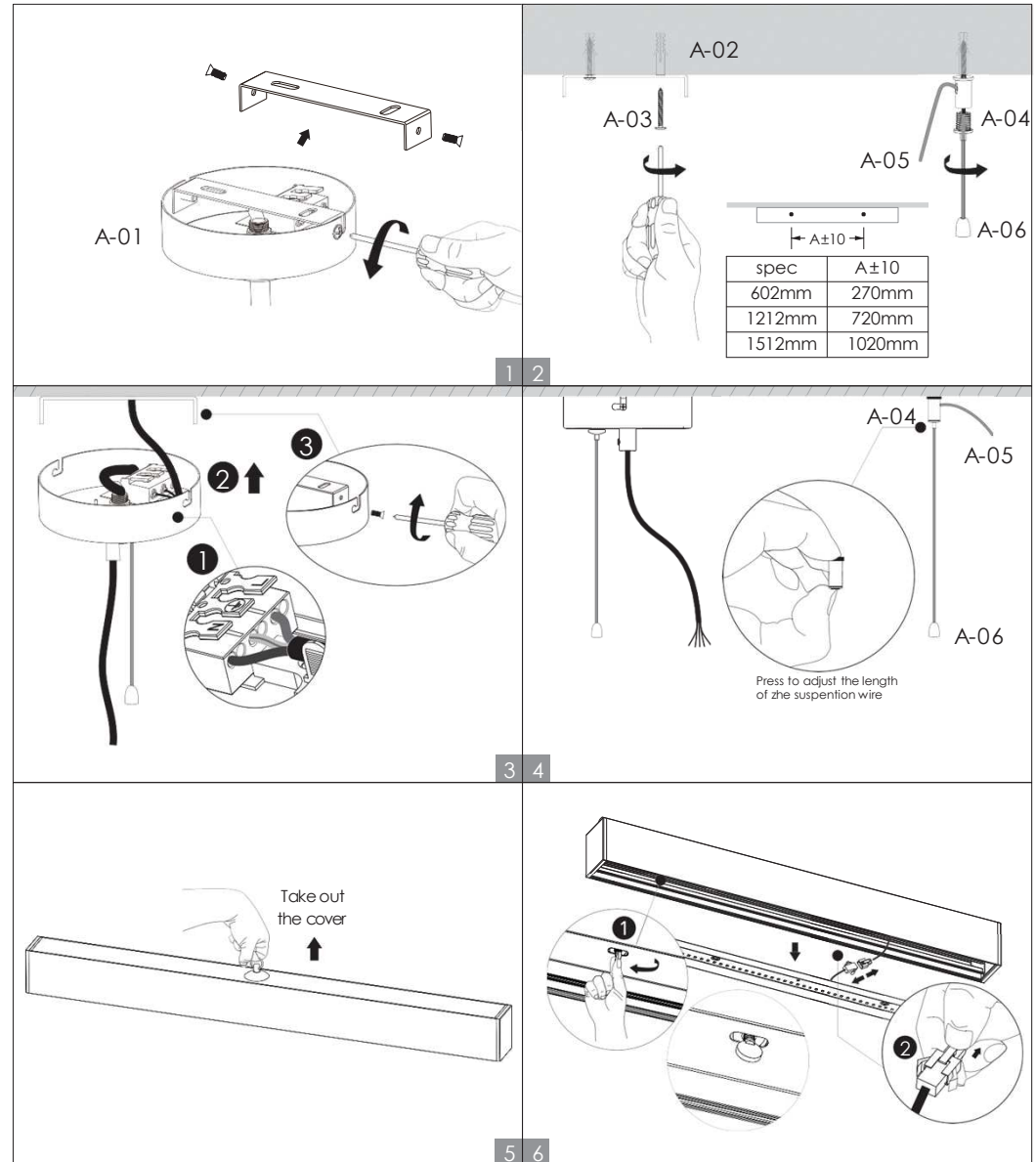
Code	A-01	A-02	A-03	A-04	A-05
ACC	x2	x2	x2	x2	x2

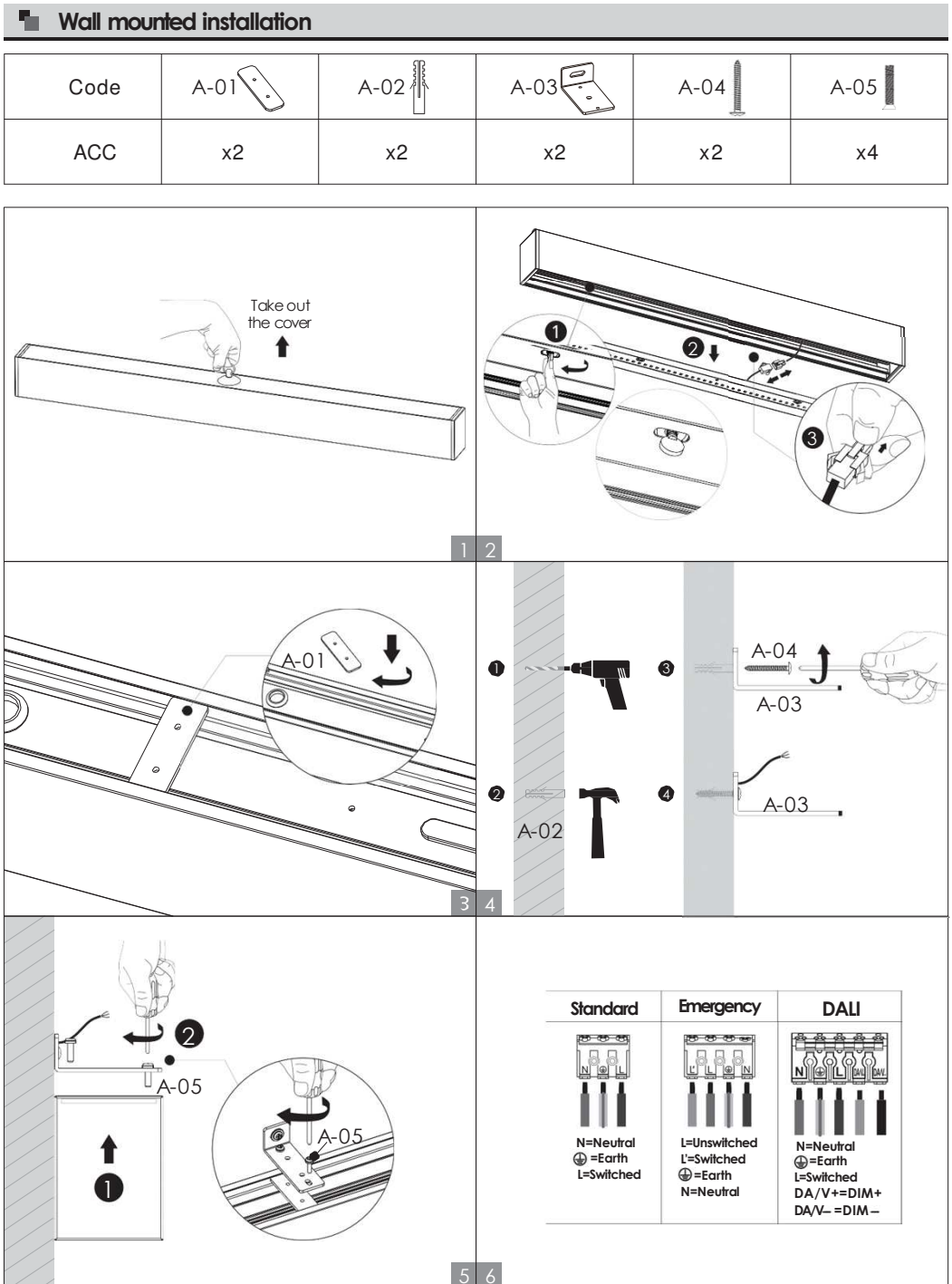
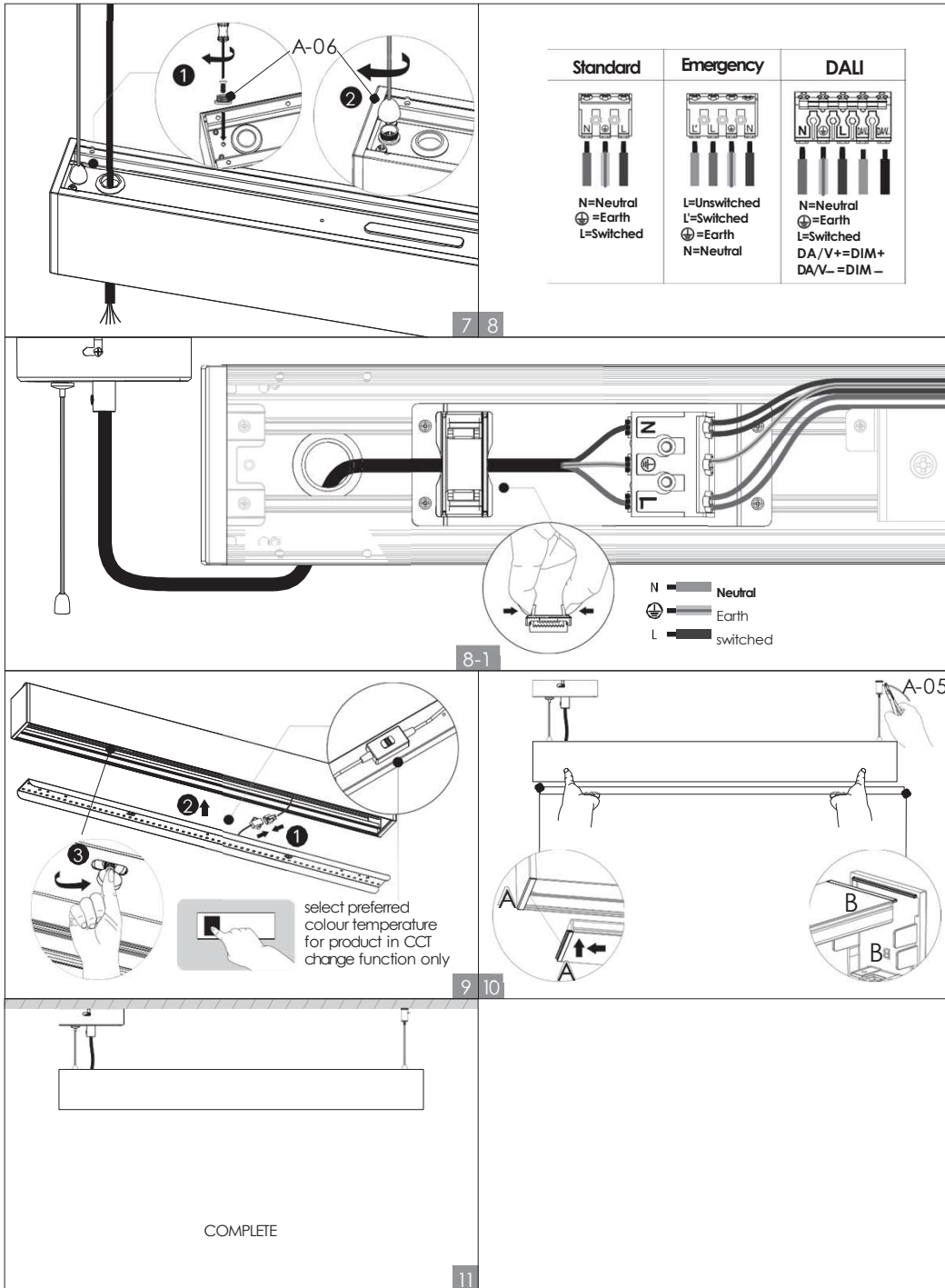


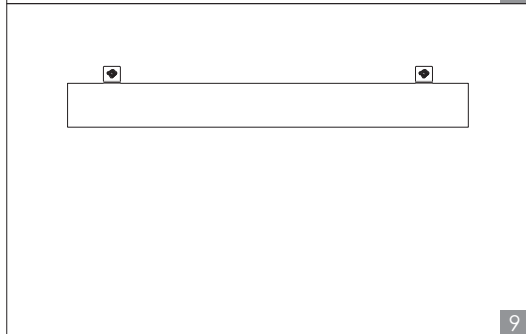
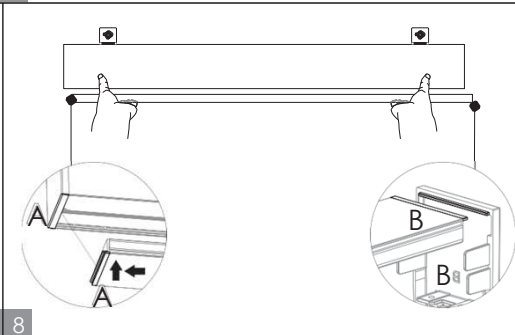
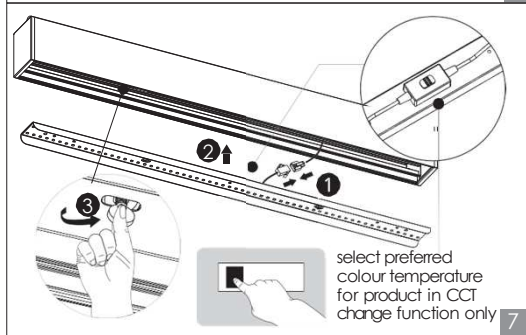
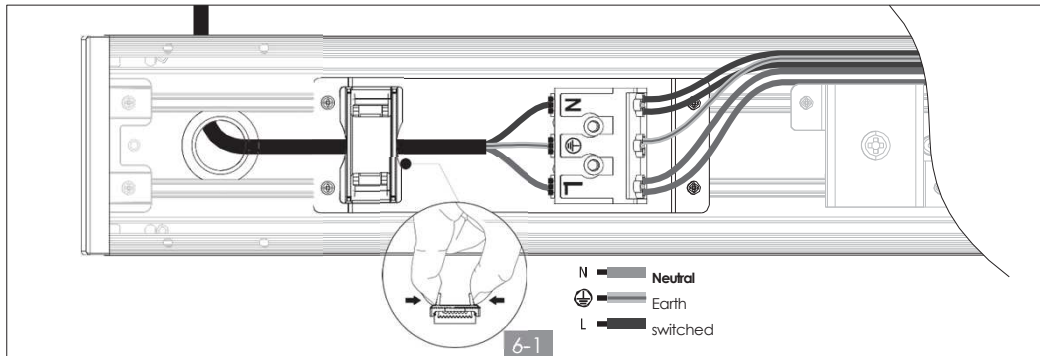


Suspended installation (With round ceiling plate)





Code	A-01	A-02	A-03	A-04	A-05	A-06
ACC	x1	x3	x3	x1	x2	x2

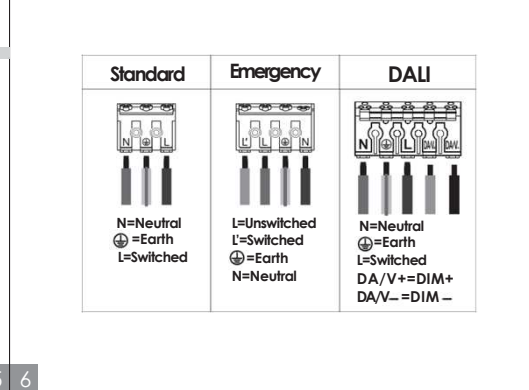
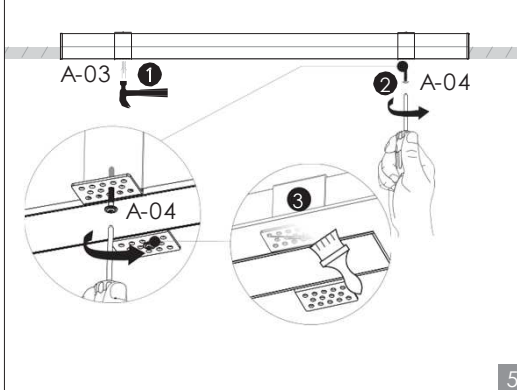
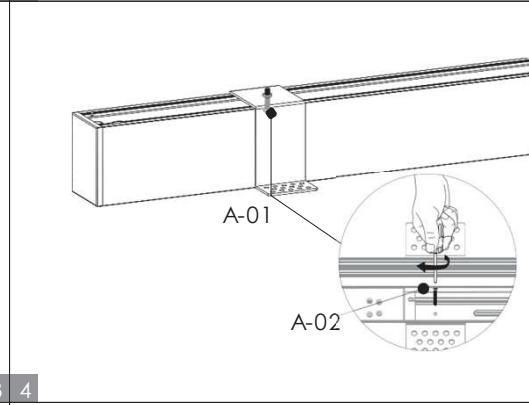
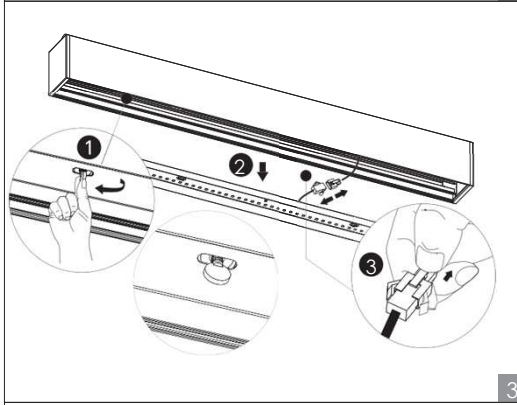
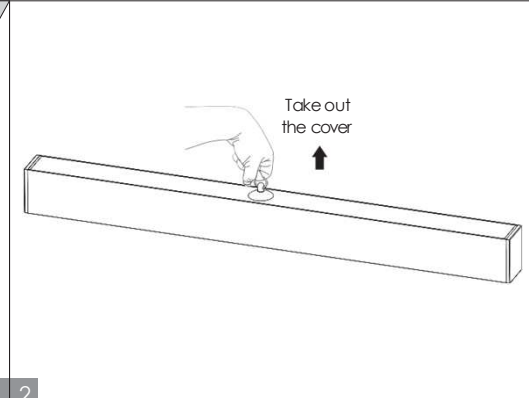
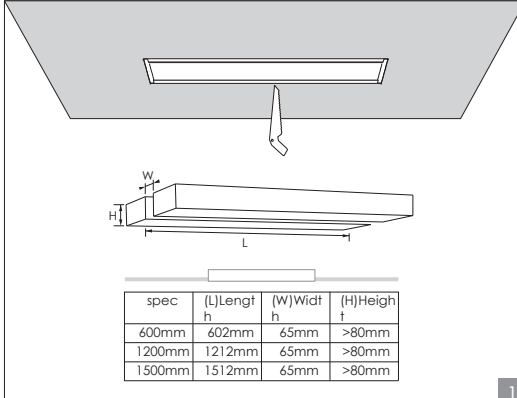


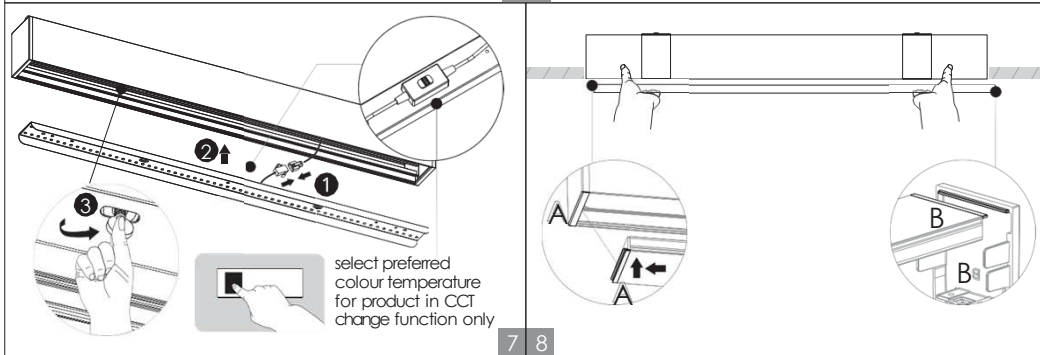
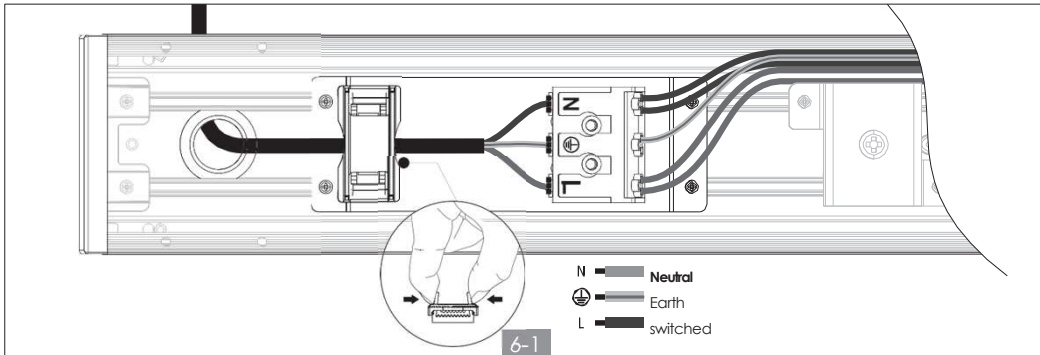




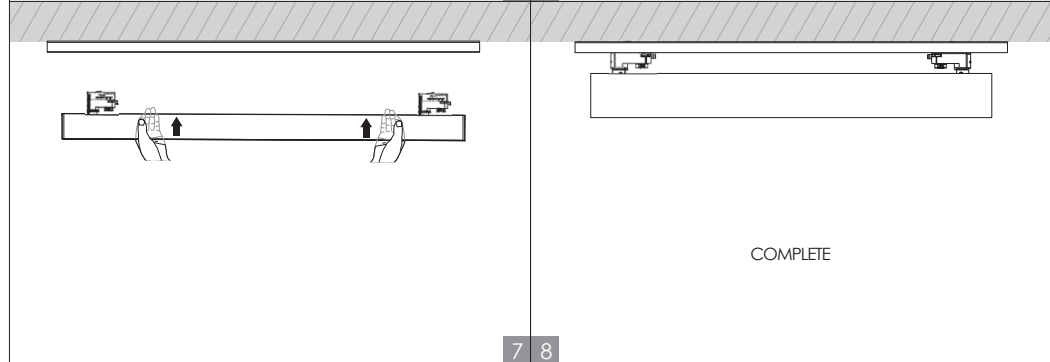
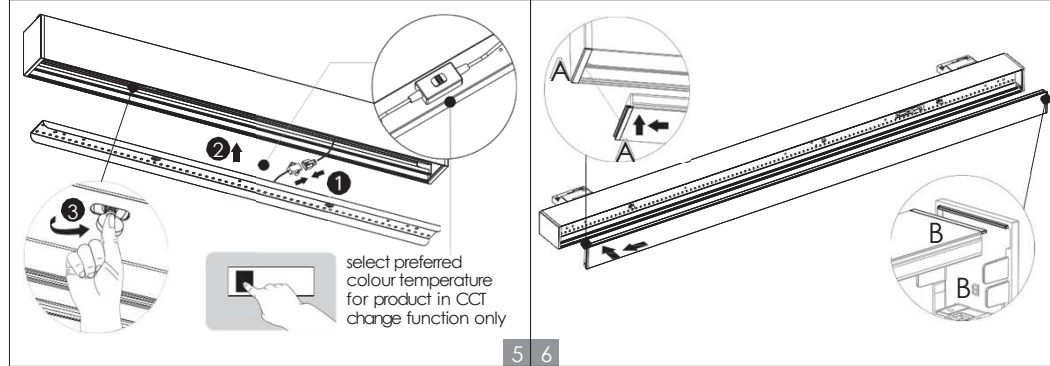
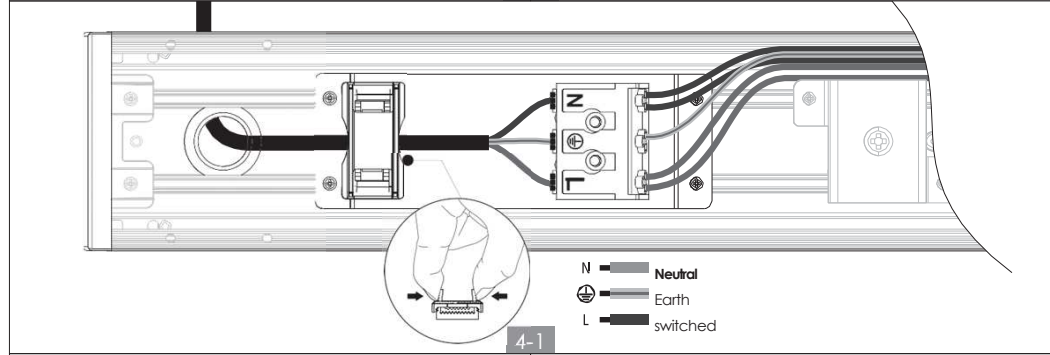
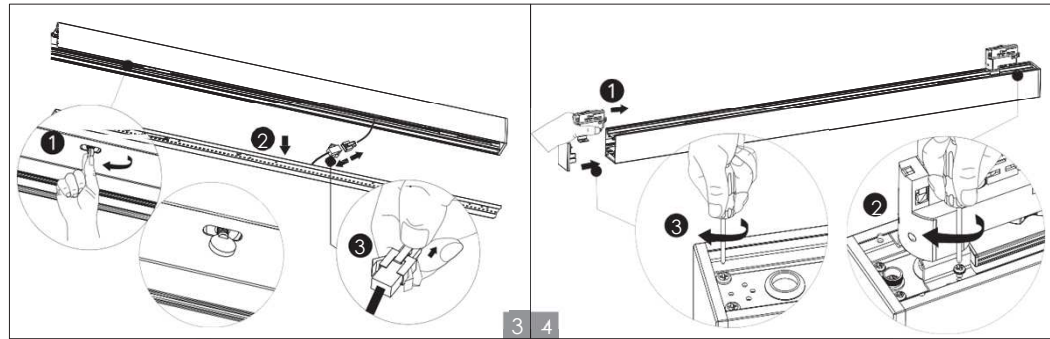
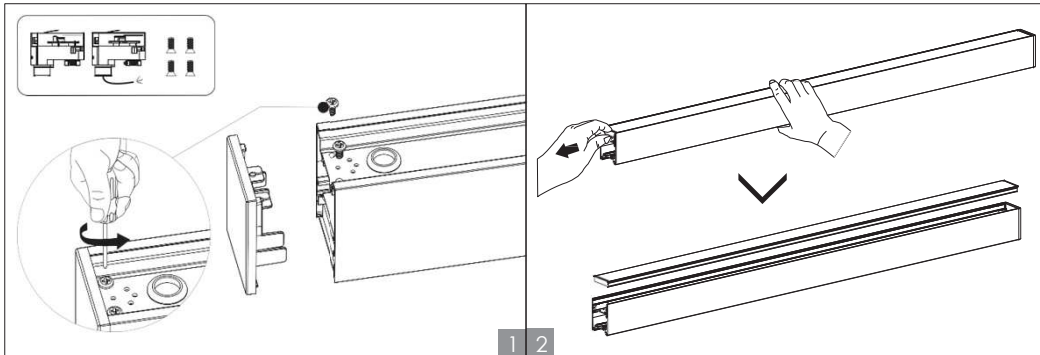
Recessed installation

Code	A-01 	A-02 	A-03 	A-04 
ACC	x2	x2	x4	x4





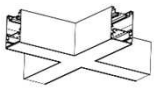

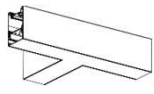

Track installation

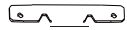




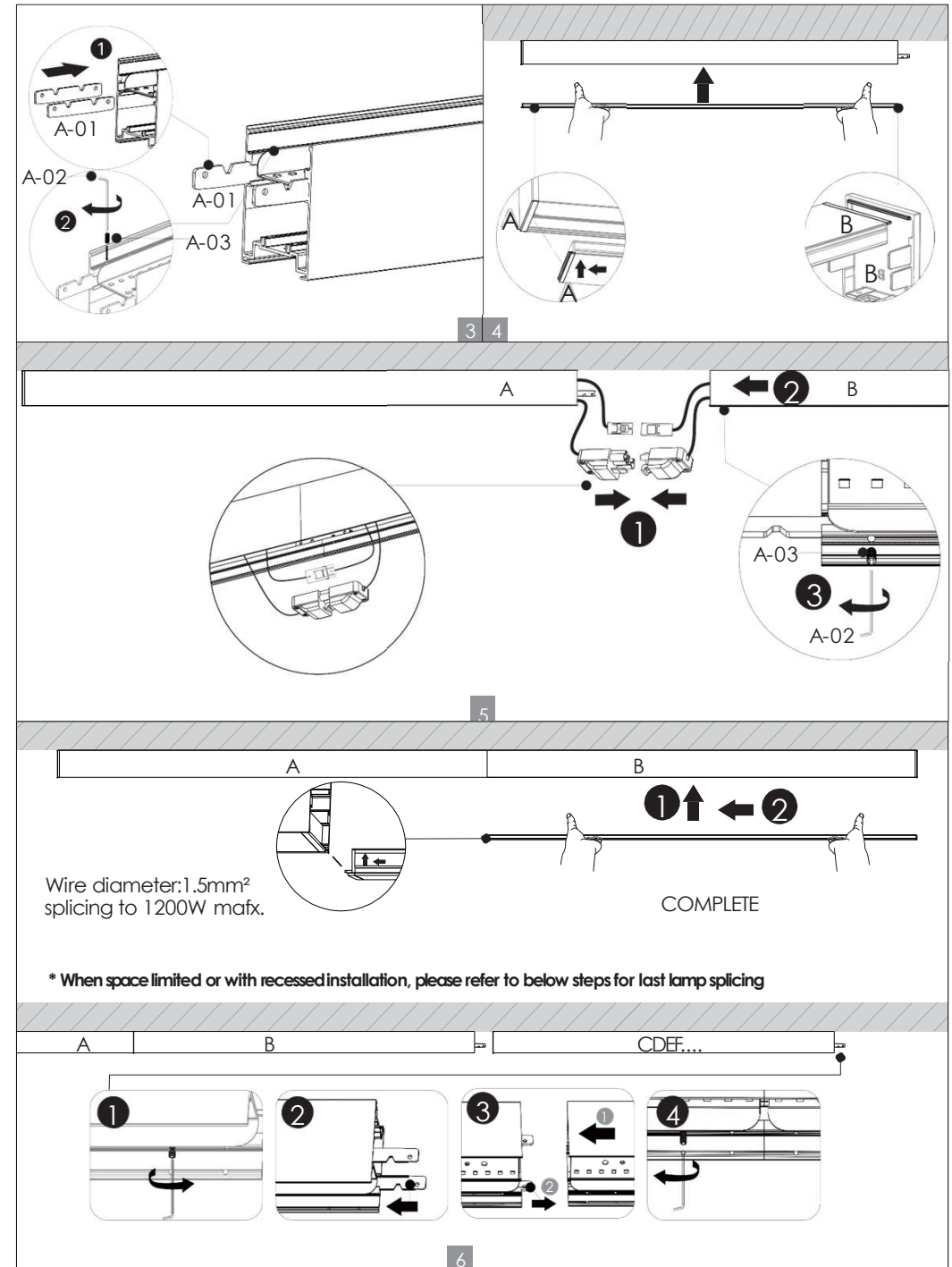
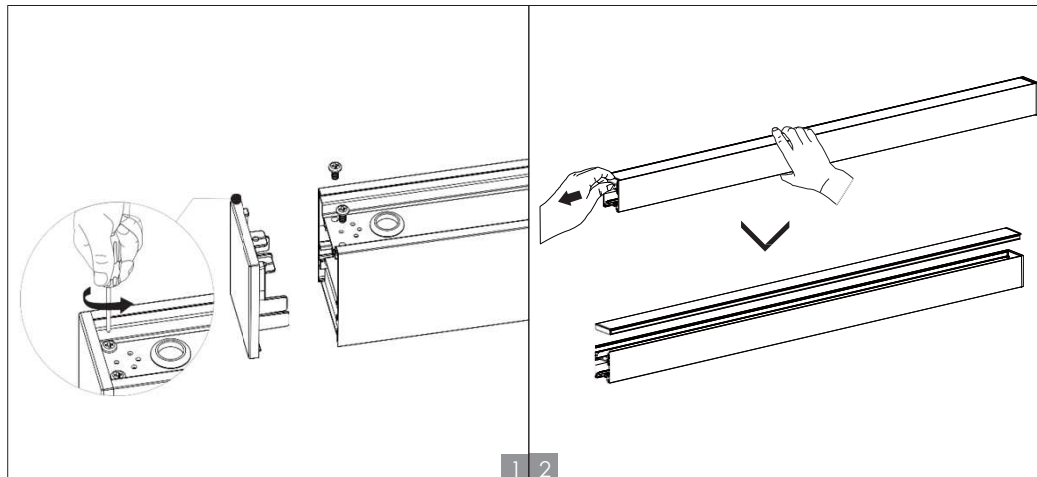
■ Surface mounted splicing installation(Straight'-'-')

* The steps also applicable to recessed/wall mount splicing

* The steps also applicable to "L"/"T"/"+"/"Y" shape connector splicing

Cutout(mm) for recessed splicing				
Dimension with end cap(mm)	602	1212	1512	
Dimension without end cap(mm)	590	1200	1500	
Cutout(mm) straight splicing	Dimension without end cap*N+12 (N=connection quantity) (for example cutout for 2pcs 1200mm lamp splicing: 1200*2+12=2412mm)			
Cutout(mm) for X/L/T/Y accessories	X-shape	L-shape	T-shape	Y-shape
				
	L343*W57 L343*W57	L200*W57 L200*W57	L343*W57 L200*W57	L326*W57 L282*W57
Remark	For the combination of X, L, T, Y splicing, please open the hole according to the above data			







Code	A-01 	A-02 	A-03 
ACC	x2	x1	x4

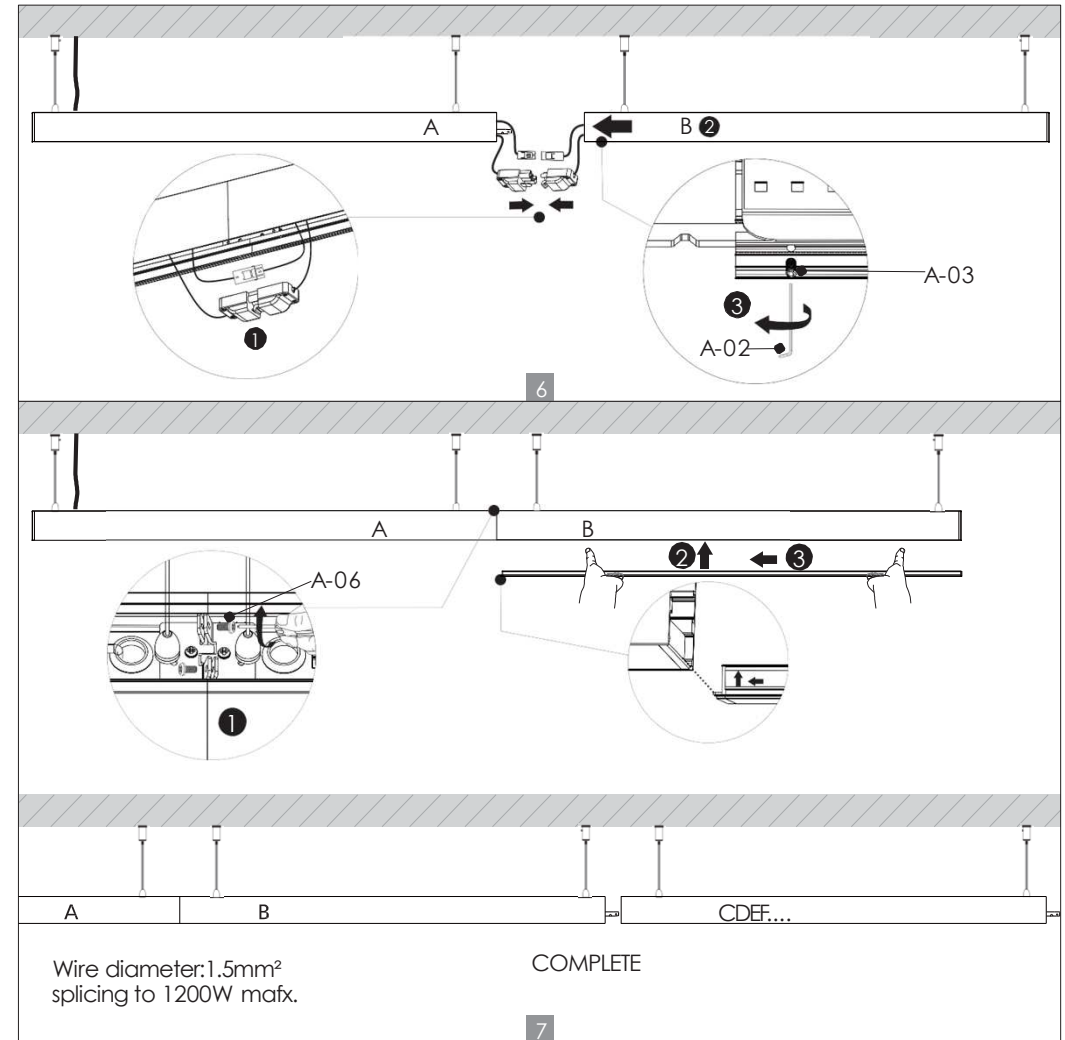
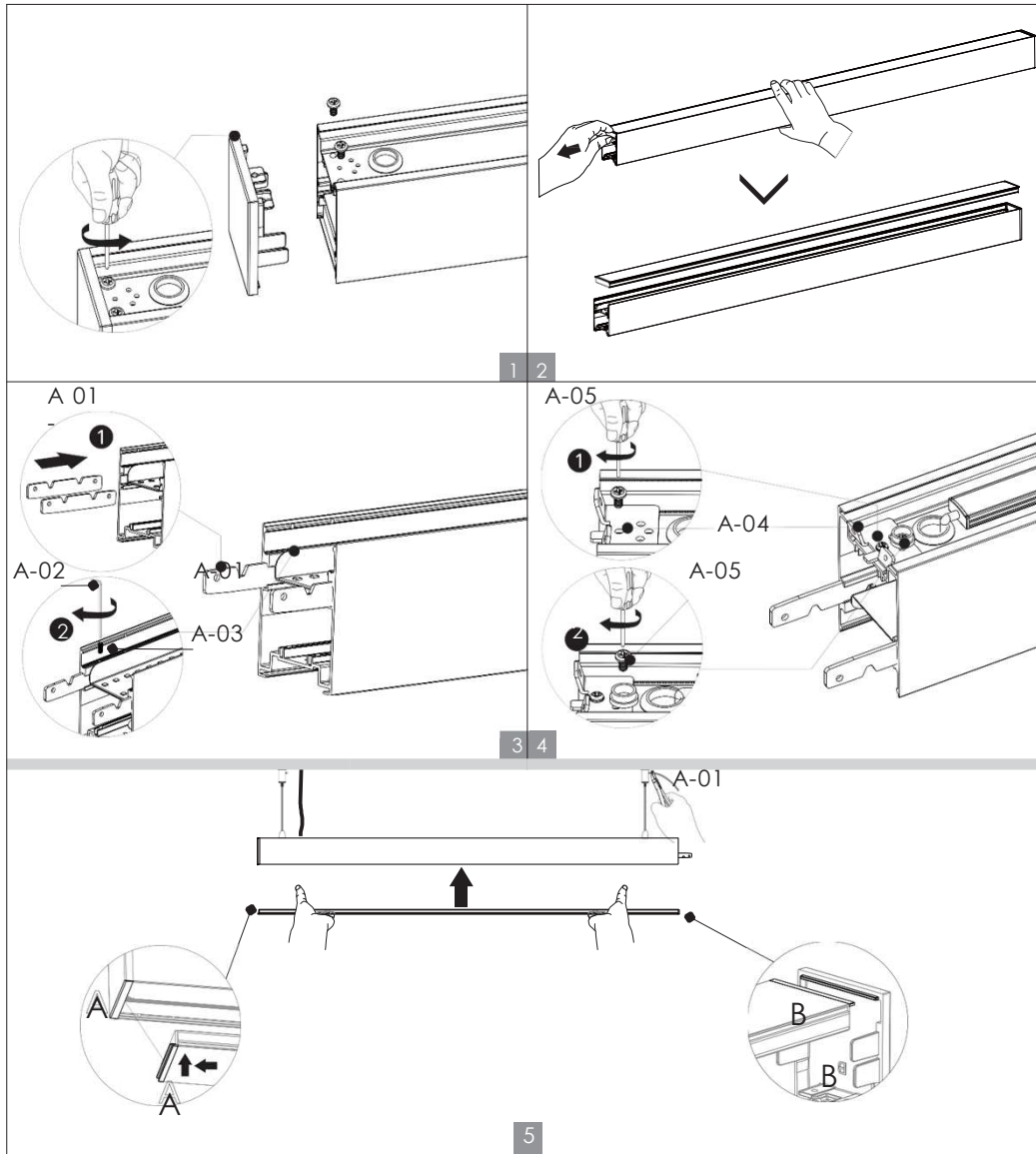


■ Suspended splicing installation (Straight "-")

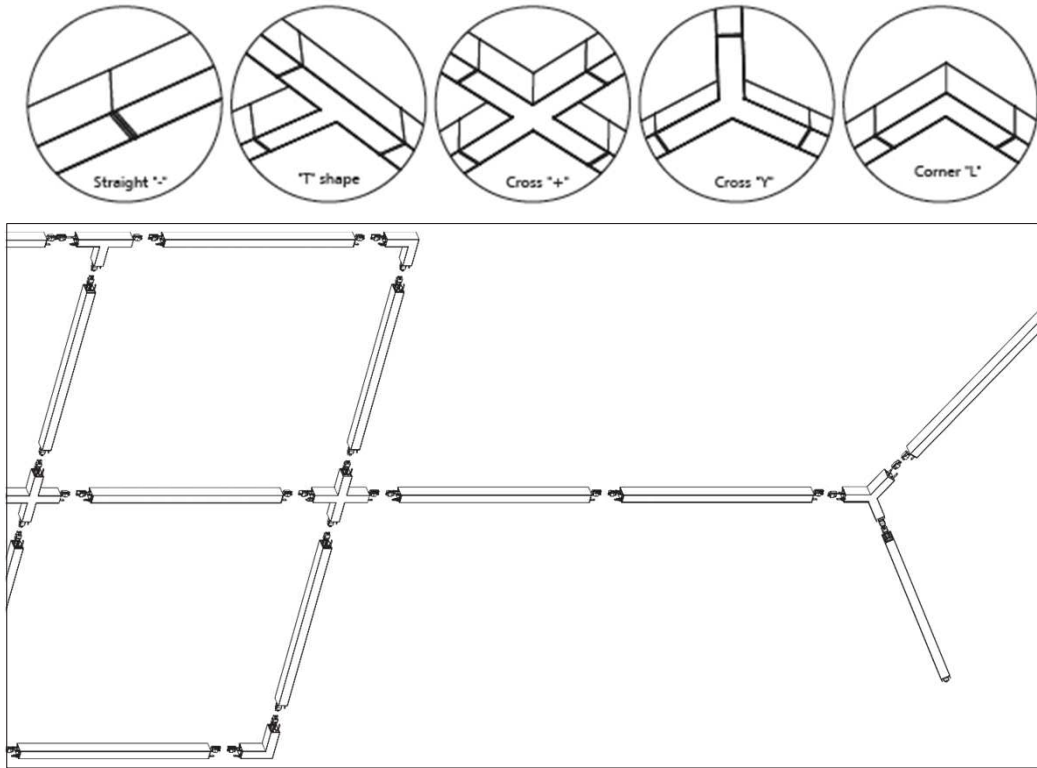
* The steps also applicable to track splicing

* The steps also applicable to "L"/"T"/"+"/"Y" shape connector splicing

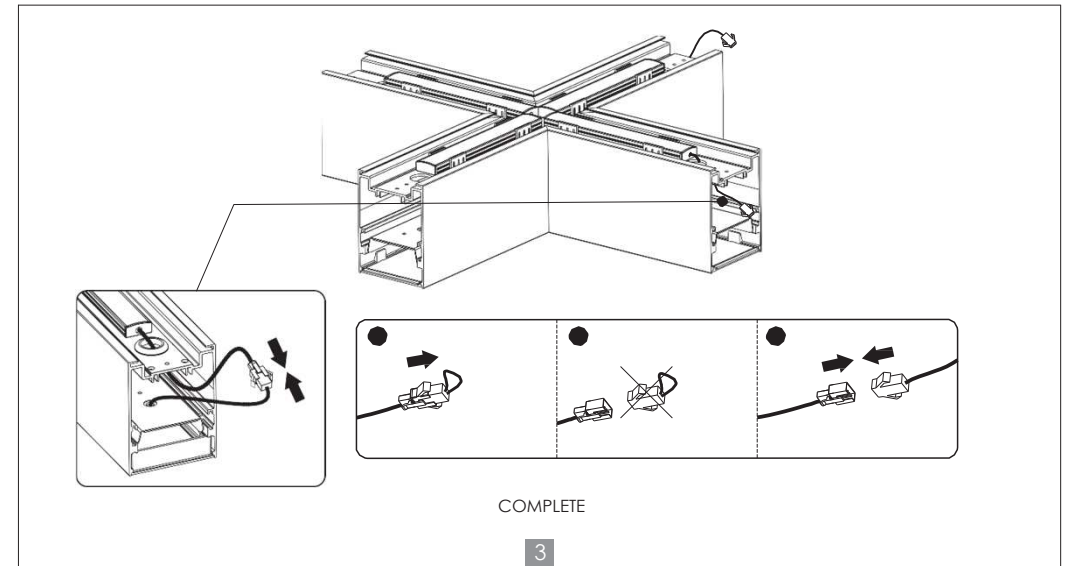
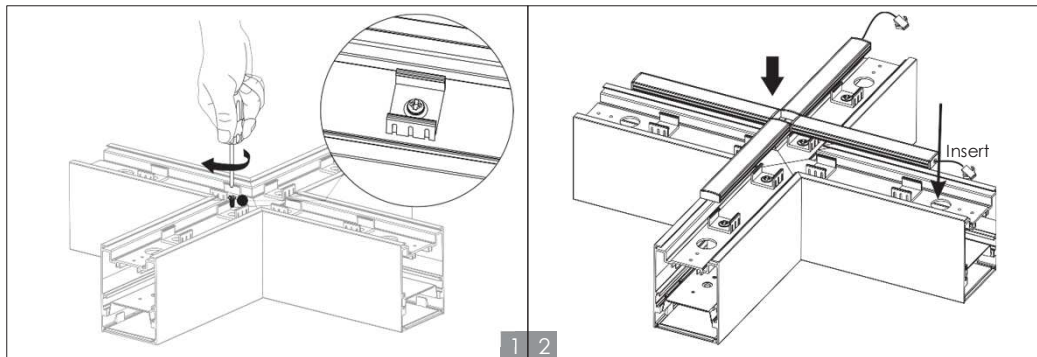
Code	A-01 	A-02 	A-03 	A-04 	A-05 	A-06 
ACC	x2	x1	x4	x2	x4	x2



Multi-connection Installation

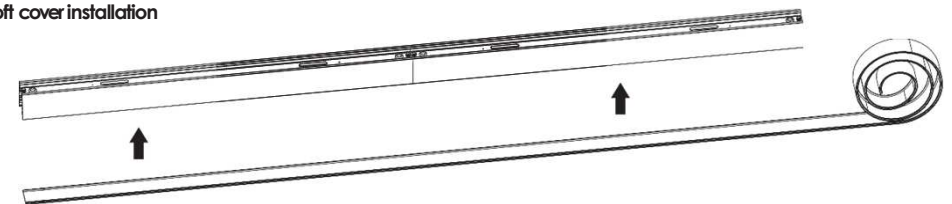


Up & down lighting distribution by adding upward LED module



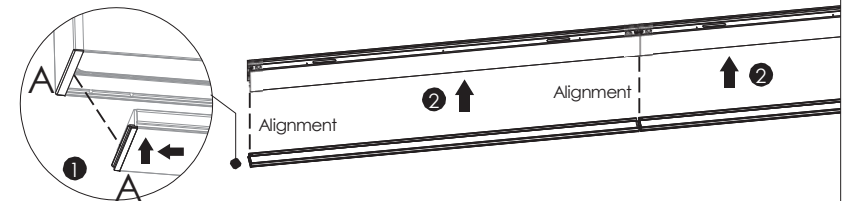
Cover installation

Soft cover installation

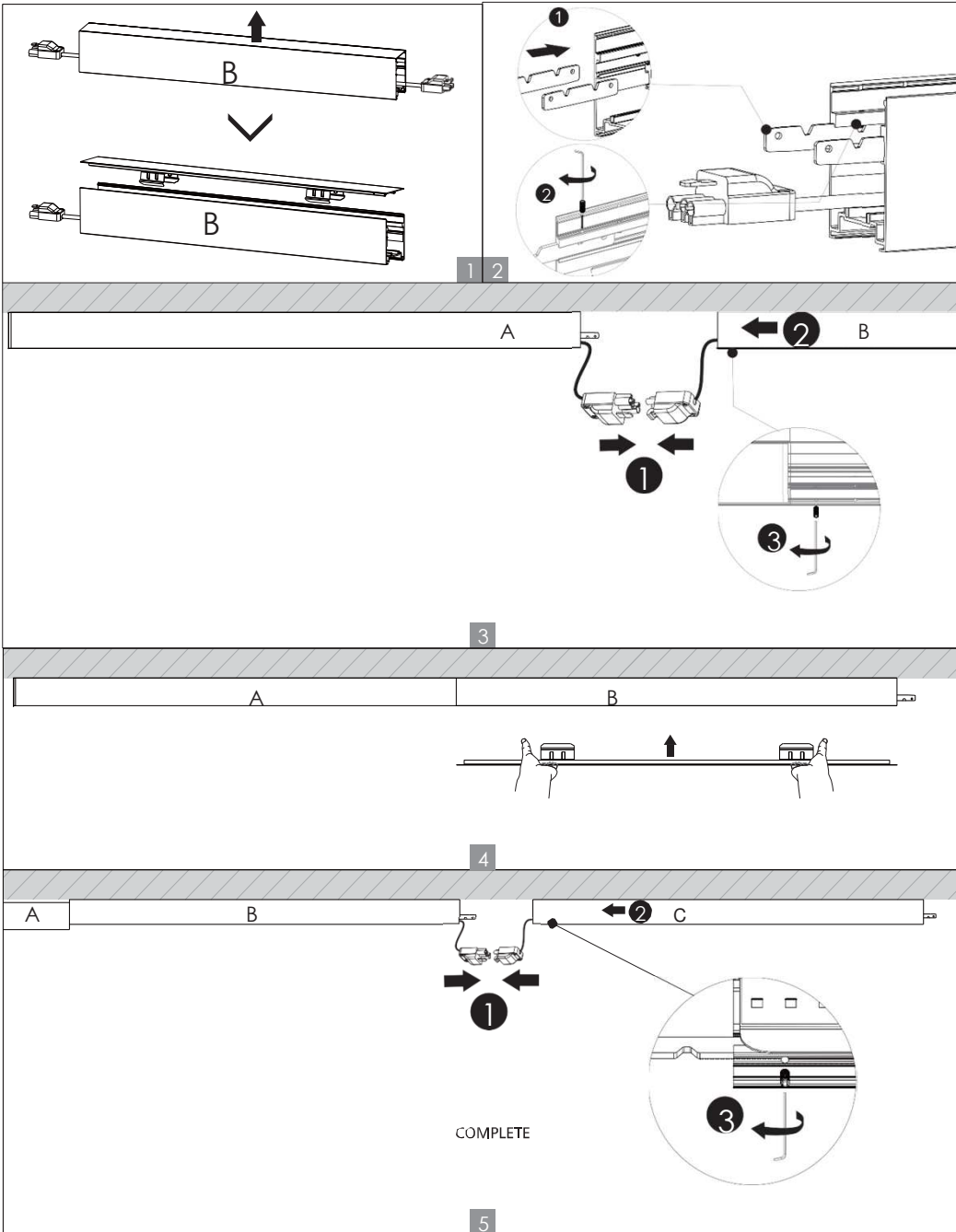


The soft lampshade will have a shrinkage rate of 7 / 10000 at Ta 25~ 45 degrees. During installation, a gap shall be reserved between the lampshade and the end cap. (Recommend max splicing length 6m with 2mm gap at both ends under Ta 25 C°, no need gap for Ta 45C°)

Fixed cover installation



Blank fixture installation





RL Europe
Your partner in LED

www.rleurope.ch

info@rleurope.ch

TEL: +41 (0)91 6832255

Add: via E. Bossi 12/B, CH-6830 Chiasso (TI)