



LED Track Light
TL115 Series



Introduction

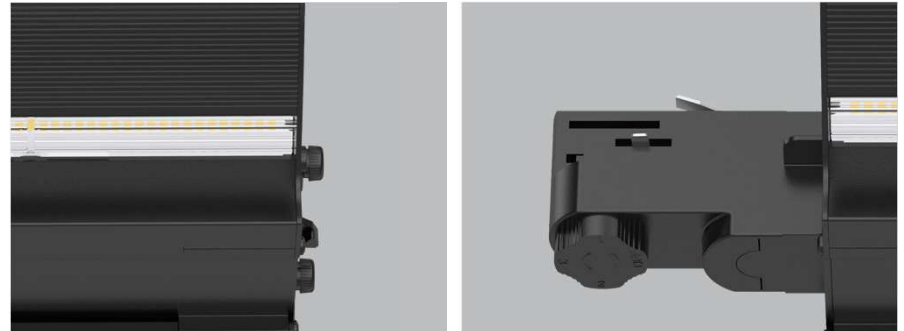
This track light has a unique rectangular light distribution that guides users eyes to the shelf. At the same time, the illumination on the ground will not be too high, which can greatly improve the utilization rate of light and reduce energy consumption. Adopting universal track adaptor, it has a great compatibility with European standard 3-circuit track and convenient for group control. In terms of design, it pursues the perfect unity of shape and function, and adopts two-wing bionic design. The wings can be tilted downward by 30°, which is convenient to adjust the beam angle and meet the requirements of different aisle widths and installation heights.

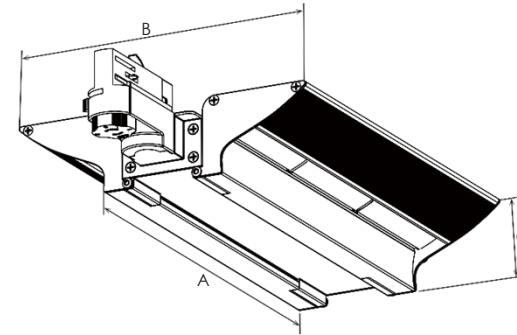
Features

- It has a good compatibility with standard European 3 circuits track.
- Professional optic design, uniform light output without any spot.
- The wings can be tilted downward by 30°.
- Multiple beam angle options:60x90°/90x100°.
- Long lifespan with internal Osram flicker free driver.

Application Areas

It is suitable for supermarket, retail store, shelves, corridors etc.





Technical Data Sheet

Code No.		TL115-57W	
Dimension(mm)	L388*W218*H70mm		
Cutout (mm)	-		
Watt(W)	57W		
Rated Input Voltage(V)	AC 230V		
Input Voltage(V)	AC 220-240V		
LED Module Input	-		
Light Source	SMD 2835		
SDCM	< 6		
CCT(K)	1-CCT: 3000K / 4000K / 5000K / 5700K		
CCT Selection DIP Switch	NO		
Luminous Flux (lm) ±5%	Non-DIM	1-CCT	5000-5500
	DIM		-
	Non-DIM	3-CCT	-
	DIM		-
CRI	Ra 80		
Beam Angle (°)	60°90° / 90°110°		
UGR	-		
LED Driver	Built-in		
Dimming Option	-		
Sensor	-		
Emergency Kits	NO		
Electrical Class	Class I		
Ingress Protection (IP Rating)	IP20		
Impact Resistance (IK Rating)	-		
Product Finishing(Base)	Black RAL9005 / White RAL9016		
Materials of Optics	PC		
Materials of Housing	Aluminium		
Lifetime (hr)	50,000H		
Glow wire test (°C)	750°C		
Operating Temp. (°C)	-20°C~45°C		
Storage Temp. (°C)	-20°C~65°C		
Installation	Track		

Measurement

Code	Dimension(mm)			Size(mm)	Product Weight (Kg)		Package weight		Carton Size(cm)	Qty/CTN	20GP (pcs)	40HQ (pcs)
	A	B	C		N.W/PC	G.W/PC	N.W/CTN	G.W/CTN				
TL115-57W	388	218	77	388*218*70	1.52	1.75	9.15	11.6	50.5*43*37	6	2052	4788

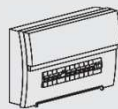
Driver Datasheet (Non-Dimmable)

Total load wattage		57W
Output	Output Voltage range	DC23-54V
	Rated output current	1050mA
	Line Regulation	±5%
	Setup, Rise Time	≤500ms @230Vac
	Flickering Index	0.25%(NO RISK)
Input	Input Voltage	AC200-264V
	Rated Input Voltage(V)	AC220-240V
	Frequency	50/60Hz
	Input Current	≤0.32A
	Rated Input Current	≤0.29A
	Power Factor	0.9
	THD	<20% @230V
	Efficiency	≥86%
Protection	No load wattage	<0.5W@230V
	Short circuit protection	PASS
	Over voltage protection	PASS
Safety & EMC	Over temperature protection	PASS
	Withstand voltage	I/P-O/P:3.75KVac,<5mA 60S; I/P-FG:1.5KVac,<5mA 60S
	Isolation Resistance	I/P-O/P: 500VDC, ≥100M Ω
	Surge	IEC/EN61000-4-5 (P≥25w L-N:1KV L/N-PG:2KV)
	EMC Emission	EN55015, EN61000-3-2
EMC Immunity	EN61000-4-2,3,4,5,6,8,11; EN61547	

Installation Procedure

WARNING

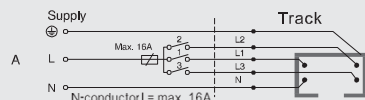
1. Switch off before installation.
2. Switch on only after complete installation and examination of the circuit.
3. Professional electrician for installation and maintenance only.



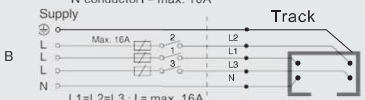
Turn Off
Power Supply

Wiring Diagram (Please select according to the actual product)

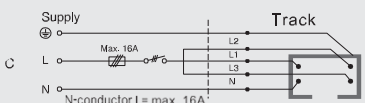
4-wires, 3-circuit



1-phase, 3-circuit,
230V AC,
16A, 3.7kVA

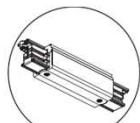
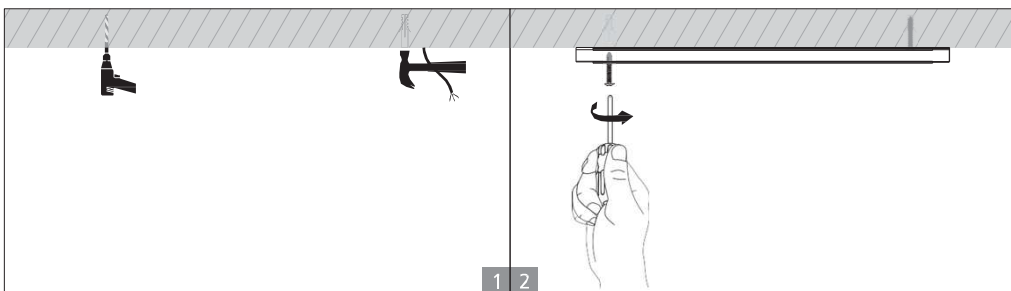


3-phase, 3-circuit,
230/400V AC,
16A, 3x3.7kVA

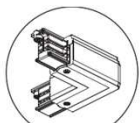


3-phase, 3-circuit,
230/400V AC,
16A, 11.1kVA

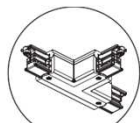
Installation for track



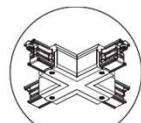
Straight "I"



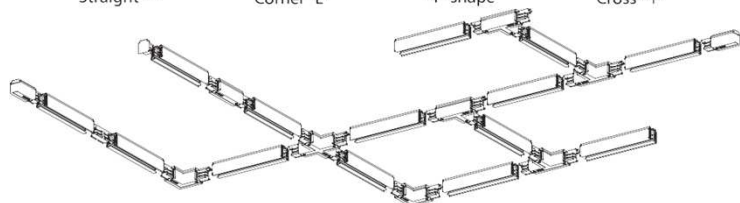
Corner "L"



"T" shape

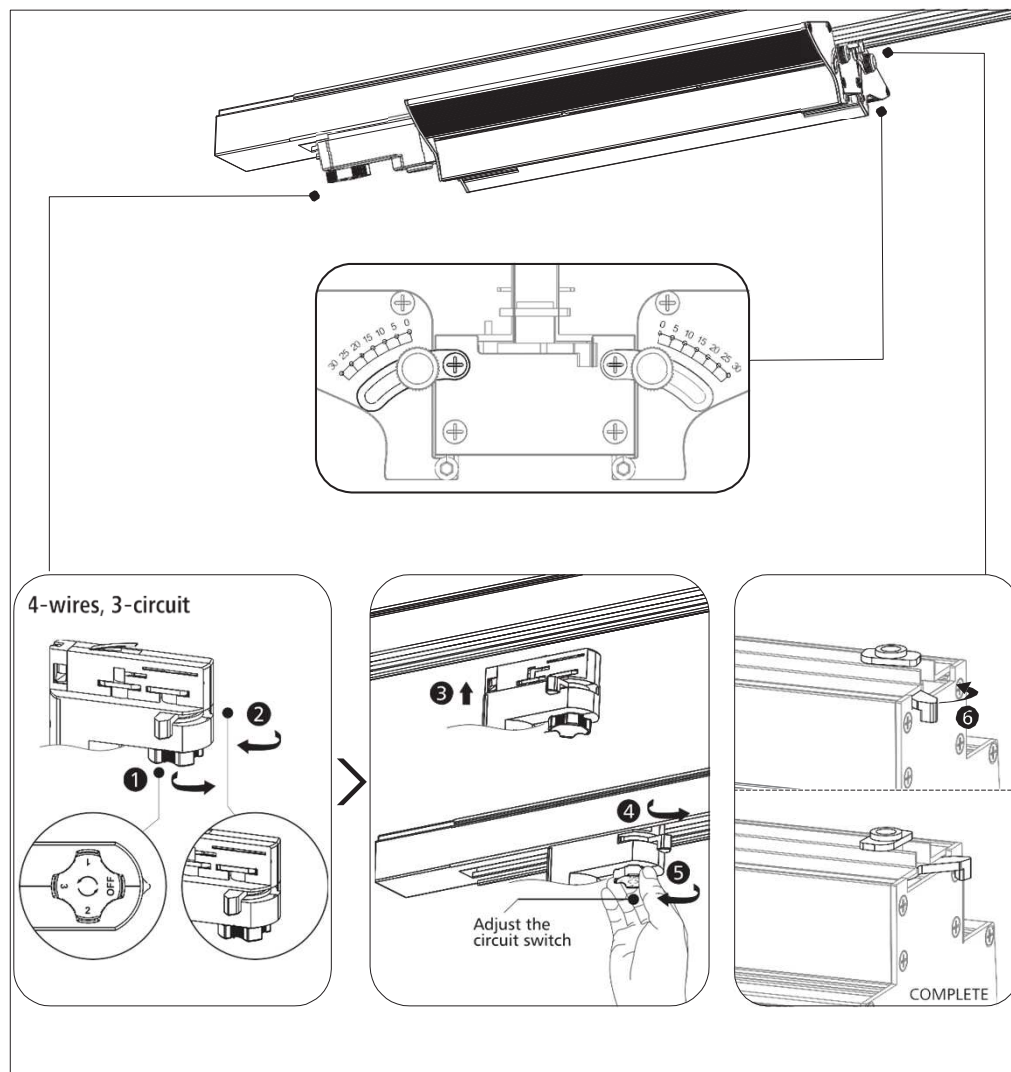


Cross "+"



Note: Do not install in the place near heat source, or in corrosive gas environment.

Installation





RL Europe
Your partner in LED

www.rleurope.ch

info@rleurope.ch

TEL: +41 (0)91 6832255

Add: via E. Bossi 12/B, CH-6830 Chiasso (TI)