

Entry / ECO

Standard / STD

Professional / PRO

ODM & OEM

Intelligent / INT

STD
Specifications



LED Downlight
CL221/DL221 Series

 **RL Europe**
Your partner in LED



Introduction

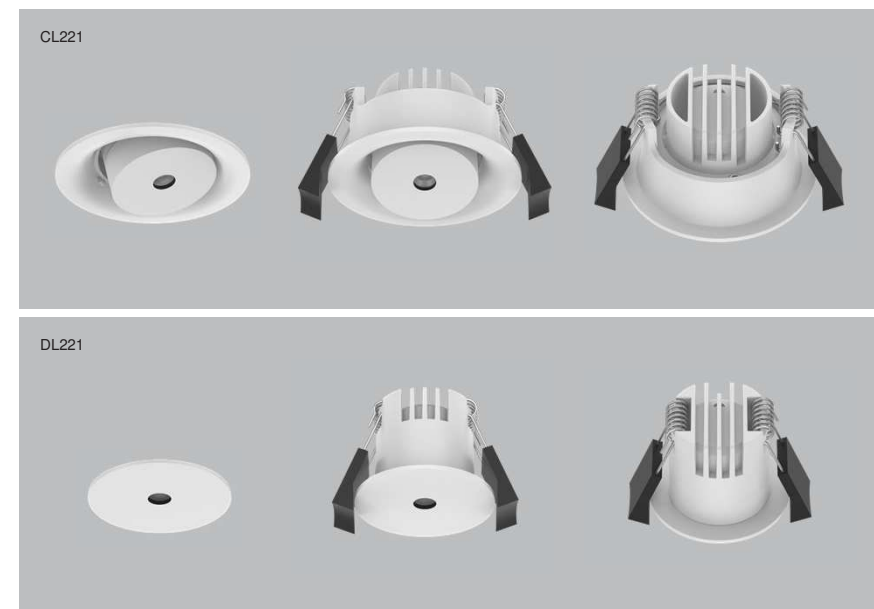
This cabinet spot light design is inspired from starry night, built with an anti-glare optical lens and small hole in front, effectively prevent glaring of the light. It has two version, one version is rotatable design while another version is fixed design, white and black color for option. The lamp adopts a classical shape design of the heat sink and ADC12 aluminium material which has high efficient in heat dissipation to ensure a better lifespan. 33degree beam angle forms a precise and focus lighting effect.

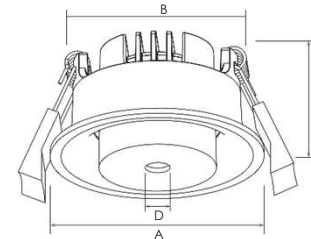
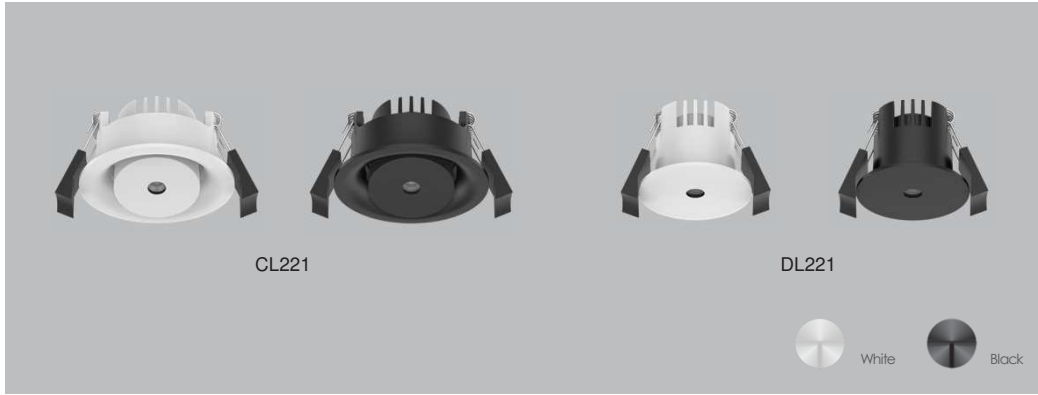
Features

- Small beam angle forms a precise and focus lighting effect
- Anti-glare design, UGR<19
- CL221 with 350degree horizontal and 24degree vertical rotation
- Finished color: RAL9016 White, RAL9005 Black
- External flicker free driver

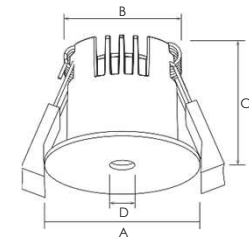
Application Areas

It is designed for indoor applications in specialty stores, showcases, jewelry cabinets, kitchen cabinets, hotels etc.





CL221



DL221

Technical Data Sheet

Code		DL221-40-3W	CL221-60-3W
Dimension(mm)		Ø50*39	Ø69*41
Cutout (mm)		40	60
Watt(W)		3W	
Rated Input Voltage		AC220-240V	
Input Voltage		AC198-264V	
LED Module Input		DC2-4V	
Light Source		SMD	
SDCM		≤6	
CCT(K)		2700K /3000K/4000K	
CCT Selection DIP Switch		NO	
Luminous Flux (lm) ±5% CRI90	1-CCT	Non-DIM DIM	100-125 -
	3-CCT	Non-DIM DIM	- -
CRI		90	
Beam Angle (°)		33°	
UGR		<19	
LED Driver		Driver built-out	
Dimming Option		NO	
Sensor		NO	
Emergency Kits		NO	
Electrical Class		Class II	
Ingress Protection(IP Rating)		IP20	
Impact Resistance(IK Rating)		IK03	
Product Finishing		White RAL9016 / Black RAL9005	
Optics Material		PMMA	
Housing Material		Aluminium	
Lifetime (hr)		50,000h	
Glow wire test (°C)		650°C	
Operating Temp.(°C)		-20°C ~45°C	
Storage Temp.(°C)		-20°C ~65°C	
Installation		Recessed	

Measurement

Code	Dimension(mm)				Size(mm)	Product Weight (Kg)		Package weight (Kg)		Carton Size (cm)	Qty/CTN	20GP (pcs)	40HQ (pcs)
	A	B	C	D		N.W/PC	G.W/PC	N.W/CTN	G.W/CTN				
DL221-40-3W	Ø50	38	39	8	Ø50*39	0.086	0.11	5.28	6.5	30.5*28*28.5	48	48384	127872
CL221-60-3W	Ø69	60	41	8	Ø69*41	0.15	0.18	7.2	9.8	30.5*26*34.5	48	44928	107520

Driver Datasheet(Non-Dimmable)

Total load wattage		3W
Output	Rated output current	700mA
	Output Voltage range	DC2-4V
	Line Regulation	±7%
	Setup, Rise Time	<0.5S
	Flickering Index	<1%(NO RISK)
Input	Rated Input Voltage	AC220-240V
	Input Voltage	AC198-264V
	Frequency	50 / 60 Hz
	Rated Input Current	≤0.03A
	Input Current	≤0.04A
	Power Factor	<0.5
	THD	-
	Efficiency	≥65%
Protection	No load wattage	≤0.5W
	Short circuit protection	PASS
	Over voltage protection	PASS
	Over temperature protection	PASS
Safety &EMC	Withstand voltage	I/P-O/P:3.75KVac,<5mA 60S
	Isolation Resistance	I/P-O/P: 500VDC, ≥4M Ω
	Surge	IEC/EN61000-4-5(P<25W; L-N:500V)
	EMC Emission	EN55015, EN61000-3-2
EMC Immunity	EN61000-4-2,3,4,5,6,8,11: EN61547	

Installation Procedure

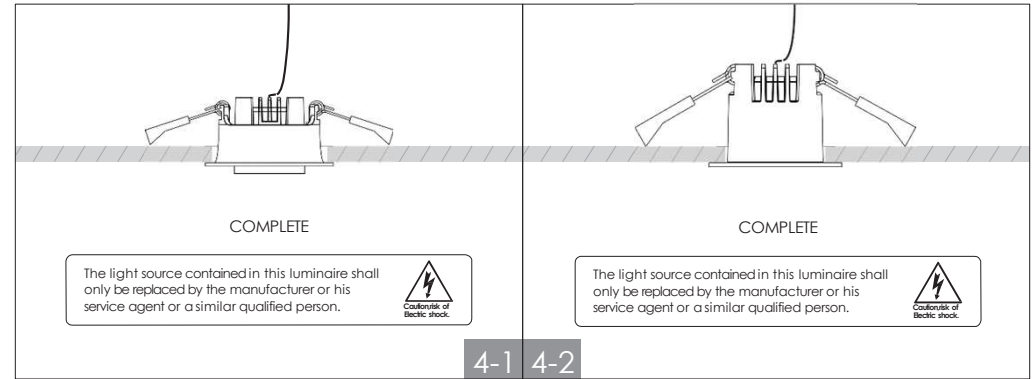
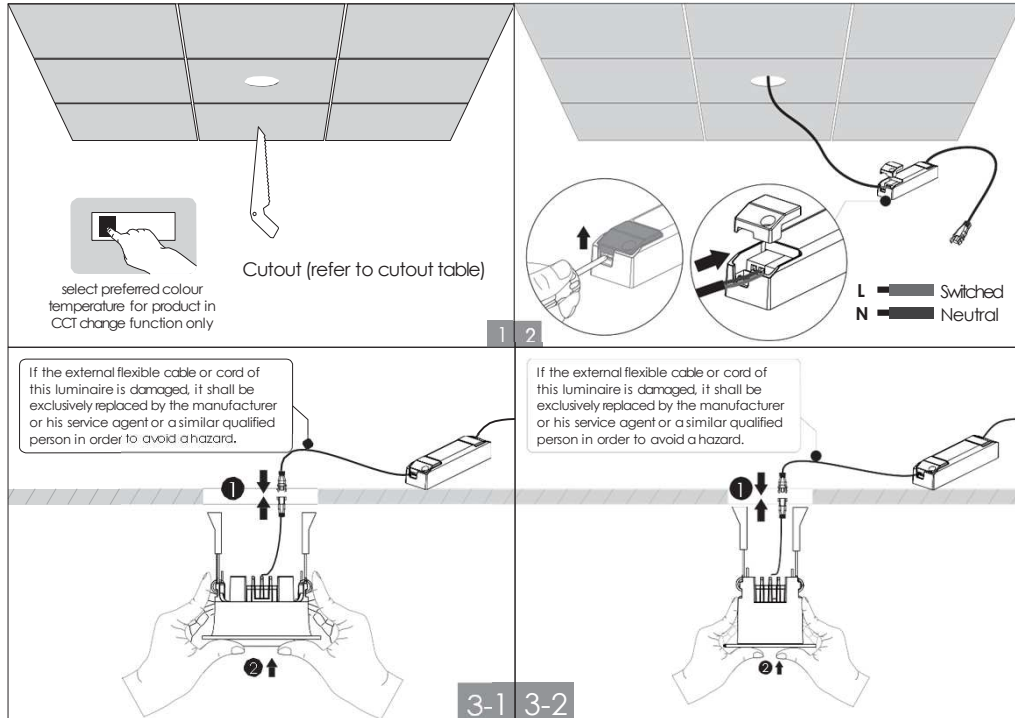
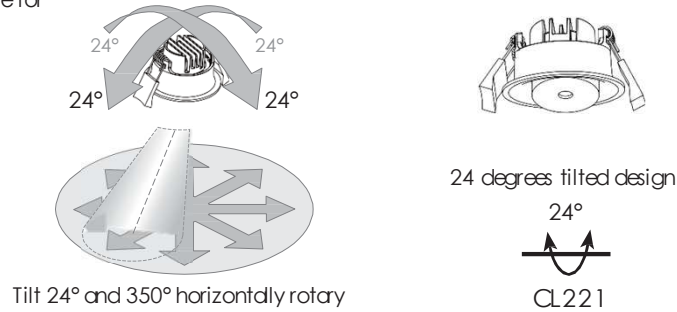
WARNING ⚡

1. Switch off before installation.
2. Switch on only after complete installation and examination of the circuit.
3. Professional electrician for installation and maintenance only.



Downlight with external driver

Gyro design applicable for specific product





RL Europe
Your partner in LED

www.rleurope.ch

info@rleurope.ch

TEL: +41 (0)91 6832255

Add: via E. Bossi 12/B, CH-6830 Chiasso (TI)