

STREET LIGHT

RL STREET LIGHT: INTRODUCING A NEW PREMIUM EXPERIENCE!



STREET LIGHT 40W

RL STREET LIGHT: MAKE THE STREET DIFFERENT!

Our Street Light is the perfect combination of light and technology.

The Power LEDS provide the maximum brightness.

Designed for illuminating both small streets and great roads, it is the ideal substitute for the traditional concept of street lighting.



ARMATURA STRADALE A LED RL: RENDI LA STRADA DIFFERENTE!

La nostra armatura stradale è la combinazione perfetta tra tecnologia e luce. I power LED rilasciano il massimo della luminosità.

Progettato per illuminare sia piccoli viali che grandi strade, è il sostituto ideale del tradizionale concetto di illuminazione stradale.

LED STRAßENLEUCHTE RL: VERÄNDERT DIE STRASSE!

Unsere Straßenleuchte ist die perfekte Kombination aus Technologie und Licht. Die Power LED erreicht eine maximale Lichtstärke.

Es ist eine innovative Lösung um die traditionelle Straßenbeleuchtung zu ersetzen.



C.R.I COMPARISON



OUR STREETLIGHT C.R.I. > 80



NORMAL C.R.I. 60

TECHNICAL DATA

ARTICLE NUMBER	170050NW1S/ 170050CW1S	170050NW2M/ 170050CW2M	170050NW3M/ 170050CW3M	170050NW5S/ 170050CW5S
NAME OF PRODUCT	STREET LIGHT 40W			
INNER CARTON	1	1	1	1
MASTER CARTON	1	1	1	1
WEIGHT SINGLE PIECE	6,3 Kg	6,3 Kg	6,3 Kg	6,3 Kg

GENERAL CHARACTERISTICS

MAIN APPLICATION	Municipal Road, Park, Parking, Highway, Road, Street			
NOMINAL LIFETIME	>80.000 hours	>80.000 hours	>80.000 hours	>80.000 hours
SOURCE (LED TYPE)	PHILIPS LUMILED	PHILIPS LUMILED	PHILIPS LUMILED	PHILIPS LUMILED
IP RATE/IK RATE	IP66/IK08	IP66/IK08	IP66/IK08	IP66/IK08

LIGHTING DATA

COLOR TEMPERATURE	4.000K/ 5.3000K	4.000K/ 5.3000K	4.000K/ 5.3000K	4.000K/ 5.3000K
CRI	> 80	> 80	> 80	> 80
LUMINOUS FLUX	>5.600(4.000K) / >5.800(5.300K)			
LLMF (LUMEN MAINTENANCE)	96% 6.000h, 92% 12.000h, 86% 30.000hv			
RATED BEAM ANGLE	TYPE OPTICS 1S:135x50°	TYPE OPTICS 2M: 138x60°	TYPE OPTICS 3M: 141x65°	TYPE OPTICS 5S: 110x110°

ELECTRICAL DATA

SYSTEM POWER	40 W	40 W	40 W	40 W
START TIME (SECOND)	<0,1 S	<0,1 S	<0,1 S	<0,1 S
WARM-UP TIME TO 60% LIGHT OUTPUT	<0,1 S	<0,1 S	<0,1 S	<0,1 S
DRIVER	MEANWELL HLG	MEANWELL HLG	MEANWELL HLG	MEANWELL HLG
INPUT VOLTAGE	AC 100-240V	AC 100-240V	AC 100-240V	AC 100-240V
FREQUENCY	50/60 Hz	50/60 Hz	50/60 Hz	50/60 Hz
OUTPUT VOLTAGE	42 V	42 V	42 V	42 V
OUTPUT CURRENT	720 mA	720 mA	720 mA	720 mA
POWER FACTOR	>0,9	>0,9	>0,9	>0,9
DIMMABLE	YES	YES	YES	YES
WORKING TEMPERATURE	-20°/50° C	-20°/50° C	-20°/50° C	-20°/50° C
HUMIDITY	10-90%	10-90%	10-90%	10-90%

DIMENSION

DIMENSION OF THE PRODUCT	431x316x136 mm	431x316x136 mm	431x316x136 mm	431x316x136 mm
WEIGHT SINGLE PIECE	5,3 Kg	5,3 Kg	5,3 Kg	5,3 Kg
APERTURE DIAMETER	60 mm	60 mm	60 mm	60 mm
MATERIAL	ALLUMINUM/PC	ALLUMINUM/PC	ALLUMINUM/PC	ALLUMINUM/PC

APPROVAL & APPLICATIONS CHARS

VDE MARKING	IN PROCESS	IN PROCESS	IN PROCESS	IN PROCESS
CE MARKING	YES	YES	YES	YES
UL MARKING	IN PROCESS	IN PROCESS	IN PROCESS	IN PROCESS
RoHS COMPLIANCE	YES	YES	YES	YES



STREET LIGHT 60W

RL STREET LIGHT: MAKE THE STREET DIFFERENT!

Our Street Light is the perfect combination of light and technology. The Power LEDs provide the maximum brightness. Designed for illuminating both small streets and great roads, it is the ideal substitute for the traditional concept of street lighting.

ARMATURA STRADALE A LED RL: RENDI LA STRADA DIFFERENTE!

La nostra armatura stradale è la combinazione perfetta tra tecnologia e luce. I power LED rilasciano il massimo della luminosità. Progettato per illuminare sia piccoli viali che grandi strade, è il sostituto ideale del tradizionale concetto di illuminazione stradale.

LED STRAßENLEUCHE RL: VERÄNDERT DIE STRASSE!

Unsere Straßenleuchte ist die perfekte Kombination aus Technologie und Licht. Die Power LED erreicht eine maximale Lichtstärke. Es ist eine innovative Lösung um die traditionelle Straßenbeleuchtung zu ersetzen.



C.R.I. COMPARISON



OUR STREETLIGHT C.R.I. > 80

NORMAL C.R.I. 60

TECHNICAL DATA

ARTICLE NUMBER	170051NW1S/ 170051CW1S	170051NW2M/ 170051CW2M	170051NW3M/ 170051CW3M	170051NW5S/ 170051CW5S
NAME OF PRODUCT	STREET LIGHT 60W			
INNER CARTON	1	1	1	1
MASTER CARTON	1	1	1	1
WEIGHT SINGLE PIECE	7,3 Kg	7,3 Kg	7,3 Kg	7,3 Kg

GENERAL CHARACTERISTICS

MAIN APPLICATION	Municipal Road, Park, Parking, Highway, Road, Street			
NOMINAL LIFETIME	>80.000 hours	>80.000 hours	>80.000 hours	>80.000 hours
SOURCE (LED TYPE)	PHILIPS LUMILED	PHILIPS LUMILED	PHILIPS LUMILED	PHILIPS LUMILED
IP RATE/IK RATE	IP66/IK08	IP66/IK08	IP66/IK08	IP66/IK08

LIGHTING DATA

COLOR TEMPERATURE	4.000K/ 5.3000K	4.000K/ 5.3000K	4.000K/ 5.3000K	4.000K/ 5.3000K
CRI	> 80	> 80	> 80	> 80
LUMINOUS FLUX	>8.400(4.000K) / >8.700(5.300K)			
LLMF (LUMEN MAINTENANCE)	96% 6.000h, 92% 12.000h, 86% 30.000h			
RATED BEAM ANGLE	TYPE OPTICS 1S:135x50°	TYPE OPTICS 2M: 138x60°	TYPE OPTICS 3M: 141x65°	TYPE OPTICS 5S: 110x110°

ELECTRICAL DATA

SYSTEM POWER	60 W	60 W	60 W	60 W
START TIME (SECOND)	<0,1 S	<0,1 S	<0,1 S	<0,1 S
WARM-UP TIME TO 60% LIGHT OUTPUT	<0,1 S	<0,1 S	<0,1 S	<0,1 S
DRIVER	MEANWELL HLG	MEANWELL HLG	MEANWELL HLG	MEANWELL HLG
INPUT VOLTAGE	AC 100-240V	AC 100-240V	AC 100-240V	AC 100-240V
FREQUENCY	50/60 Hz	50/60 Hz	50/60 Hz	50/60 Hz
OUTPUT VOLTAGE	42 V	42 V	42 V	42 V
OUTPUT CURRENT	1.440 mA	1.440 mA	1.440 mA	1.440 mA
POWER FACTOR	>0,9	>0,9	>0,9	>0,9
DIMMABLE	YES	YES	YES	YES
WORKING TEMPERATURE	-20°/50° C	-20°/50° C	-20°/50° C	-20°/50° C
HUMIDITY	10-90%	10-90%	10-90%	10-90%

DIMENSION

DIMENSION OF THE PRODUCT	504x316x136 mm	504x316x136 mm	504x316x136 mm	504x316x136 mm
WEIGHT SINGLE PIECE	6,1 Kg	6,1 Kg	6,1 Kg	6,1 Kg
APERTURE DIAMETER	60 mm	60 mm	60 mm	60 mm
MATERIAL	ALLUMINUM/PC	ALLUMINUM/PC	ALLUMINUM/PC	ALLUMINUM/PC

APPROVAL & APPLICATIONS CHARS

VDE MARKING	IN PROCESS	IN PROCESS	IN PROCESS	IN PROCESS
CE MARKING	YES	YES	YES	YES
UL MARKING	IN PROCESS	IN PROCESS	IN PROCESS	IN PROCESS
RoHS COMPLIANCE	YES	YES	YES	YES

STREET LIGHT 100W

RL STREET LIGHT: MAKE THE STREET DIFFERENT!

Our Street Light is the perfect combination of light and technology. The Power LEDs provide the maximum brightness. Designed for illuminating both small streets and great roads, it is the ideal substitute for the traditional concept of street lighting.



ARMATURA STRADALE A LED RL: RENDI LA STRADA DIFFERENTE!

La nostra armatura stradale è la combinazione perfetta tra tecnologia e luce. I power LED rilasciano il massimo della luminosità. Progettato per illuminare sia piccoli viali che grandi strade, è il sostituto ideale del tradizionale concetto di illuminazione stradale.

LED STRAßENLEUCHE RL: VERÄNDERT DIE STRASSE!

Unsere Straßenleuchte ist die perfekte Kombination aus Technologie und Licht. Die Power LED erreicht eine maximale Lichtstärke. Es ist eine innovative Lösung um die traditionelle Straßenbeleuchtung zu ersetzen.



C.R.I. COMPARISON



OUR STREETLIGHT C.R.I. > 80

NORMAL C.R.I. 60

TECHNICAL DATA

ARTICLE NUMBER	170052NW1S/ 170052CW1S	170052NW2M/ 170052CW2M	170052NW3M/ 170052CW3M	170052NW5S/ 170052CW5S
NAME OF PRODUCT	STREET LIGHT 100W			
INNER CARTON	1	1	1	1
MASTER CARTON	1	1	1	1
WEIGHT SINGLE PIECE	8,6 Kg	8,6 Kg	8,6 Kg	8,6 Kg

GENERAL CHARACTERISTICS

MAIN APPLICATION	Municipal Road, Park, Parking, Highway, Road, Street			
NOMINAL LIFETIME	>80.000 hours	>80.000 hours	>80.000 hours	>80.000 hours
SOURCE (LED TYPE)	PHILIPS LUMILED	PHILIPS LUMILED	PHILIPS LUMILED	PHILIPS LUMILED
IP RATE/IK RATE	IP66/IK08	IP66/IK08	IP66/IK08	IP66/IK08

LIGHTING DATA

COLOR TEMPERATURE	4.000K/ 5.3000K	4.000K/ 5.3000K	4.000K/ 5.3000K	4.000K/ 5.3000K
CRI	> 80	> 80	> 80	> 80
LUMINOUS FLUX	>14.000(4.000K) / >15.000(5.300K)			
LLMF (LUMEN MAINTENANCE)	96% 6.000h, 92% 12.000h, 86% 30.000hv			
RATED BEAM ANGLE	TYPE OPTICS 1S:135x50°	TYPE OPTICS 2M: 138x60°	TYPE OPTICS 3M: 141x65°	TYPE OPTICS 5S: 110x110°

ELECTRICAL DATA

SYSTEM POWER	100 W	100 W	100 W	100 W
START TIME (SECOND)	<0,1 S	<0,1 S	<0,1 S	<0,1 S
WARM-UP TIME TO 60% LIGHT OUTPUT	<0,1 S	<0,1 S	<0,1 S	<0,1 S
DRIVER	MEANWELL HLG	MEANWELL HLG	MEANWELL HLG	MEANWELL HLG
INPUT VOLTAGE	AC 100-240V	AC 100-240V	AC 100-240V	AC 100-240V
FREQUENCY	50/60 Hz	50/60 Hz	50/60 Hz	50/60 Hz
OUTPUT VOLTAGE	42 V	42 V	42 V	42 V
OUTPUT CURRENT	2.160 mA	2.160 mA	2.160 mA	2.160 mA
POWER FACTOR	>0,9	>0,9	>0,9	>0,9
DIMMABLE	YES	YES	YES	YES
WORKING TEMPERATURE	-20°/50° C	-20°/50° C	-20°/50° C	-20°/50° C
HUMIDITY	10-90%	10-90%	10-90%	10-90%

DIMENSION

DIMENSION OF THE PRODUCT	577x316x136 mm	577x316x136 mm	577x316x136 mm	577x316x136 mm
WEIGHT SINGLE PIECE	5,3 Kg	5,3 Kg	5,3 Kg	5,3 Kg
APERTURE DIAMETER	60 mm	60 mm	60 mm	60 mm
MATERIAL	ALLUMINUM/PC	ALLUMINUM/PC	ALLUMINUM/PC	ALLUMINUM/PC

APPROVAL & APPLICATIONS CHARS

VDE MARKING	IN PROCESS	IN PROCESS	IN PROCESS	IN PROCESS
CE MARKING	YES	YES	YES	YES
UL MARKING	IN PROCESS	IN PROCESS	IN PROCESS	IN PROCESS
RoHS COMPLIANCE	YES	YES	YES	YES

STREET LIGHT 120W

RL STREET LIGHT: MAKE THE STREET DIFFERENT!

Our Street Light is the perfect combination of light and technology. The Power LEDS provide the maximum brightness. Designed for illuminating both small streets and great roads, it is the ideal substitute for the traditional concept of street lighting.

ARMATURA STRADALE A LED RL: RENDI LA STRADA DIFFERENTE!

La nostra armatura stradale è la combinazione perfetta tra tecnologia e luce. I power LED rilasciano il massimo della luminosità. Progettato per illuminare sia piccoli viali che grandi strade, è il sostituto ideale del tradizionale concetto di illuminazione stradale.

LED STRAßENLEUCHE RL: VERÄNDERT DIE STRASSE!

Unsere Straßenleuchte ist die perfekte Kombination aus Technologie und Licht. Die Power LED erreicht eine maximale Lichtstärke. Es ist eine innovative Lösung um die traditionelle Straßenbeleuchtung zu ersetzen.



C.R.I. COMPARISON



OUR STREETLIGHT C.R.I. > 80

NORMAL C.R.I. 60

TECHNICAL DATA

ARTICLE NUMBER	170053NW1S/ 170053CW1S	170053NW2M/ 170053CW2M	170053NW3M/ 170053CW3M	170053NW5S/ 170053CW5S
NAME OF PRODUCT	STREET LIGHT 120W			
INNER CARTON	1	1	1	1
MASTER CARTON	1	1	1	1
WEIGHT SINGLE PIECE	9,6 Kg	9,6 Kg	9,6 Kg	9,6 Kg

GENERAL CHARACTERISTICS

MAIN APPLICATION	Municipal Road, Park, Parking, Highway, Road, Street			
NOMINAL LIFETIME	>80.000 hours	>80.000 hours	>80.000 hours	>80.000 hours
SOURCE (LED TYPE)	PHILIPS LUMILED	PHILIPS LUMILED	PHILIPS LUMILED	PHILIPS LUMILED
IP RATE/IK RATE	IP66/IK08	IP66/IK08	IP66/IK08	IP66/IK08

LIGHTING DATA

COLOR TEMPERATURE	4.000K/ 5.3000K	4.000K/ 5.3000K	4.000K/ 5.3000K	4.000K/ 5.3000K
CRI	> 80	> 80	> 80	> 80
LUMINOUS FLUX	>16.800(4.000K) / >18.300(5.300K)			
LLMF (LUMEN MAINTENANCE)	96% 6.000h, 92% 12.000h, 86% 30.000h			
RATED BEAM ANGLE	TYPE OPTICS 1S:135x50°	TYPE OPTICS 2M: 138x60°	TYPE OPTICS 3M: 141x65°	TYPE OPTICS 5S: 110x110°

ELECTRICAL DATA

SYSTEM POWER	120 W	120 W	120 W	120 W
START TIME (SECOND)	<0,1 S	<0,1 S	<0,1 S	<0,1 S
WARM-UP TIME TO 60% LIGHT OUTPUT	<0,1 S	<0,1 S	<0,1 S	<0,1 S
DRIVER	MEANWELL HLG	MEANWELL HLG	MEANWELL HLG	MEANWELL HLG
INPUT VOLTAGE	AC 100-240V	AC 100-240V	AC 100-240V	AC 100-240V
FREQUENCY	50/60 Hz	50/60 Hz	50/60 Hz	50/60 Hz
OUTPUT VOLTAGE	42 V	42 V	42 V	42 V
OUTPUT CURRENT	2.880 mA	2.880 mA	2.880 mA	2.880 mA
POWER FACTOR	>0,9	>0,9	>0,9	>0,9
DIMMABLE	YES	YES	YES	YES
WORKING TEMPERATURE	-20°/50° C	-20°/50° C	-20°/50° C	-20°/50° C
HUMIDITY	10-90%	10-90%	10-90%	10-90%

DIMENSION

DIMENSION OF THE PRODUCT	650x316x136 mm	650x316x136 mm	650x316x136 mm	650x316x136 mm
WEIGHT SINGLE PIECE	8,2 Kg	8,2 Kg	8,2 Kg	8,2 Kg
APERTURE DIAMETER	60 mm	60 mm	60 mm	60 mm
MATERIAL	ALLUMINUM/PC	ALLUMINUM/PC	ALLUMINUM/PC	ALLUMINUM/PC

APPROVAL & APPLICATIONS CHARS

VDE MARKING	IN PROCESS	IN PROCESS	IN PROCESS	IN PROCESS
CE MARKING	YES	YES	YES	YES
UL MARKING	IN PROCESS	IN PROCESS	IN PROCESS	IN PROCESS
RoHS COMPLIANCE	YES	YES	YES	YES

STREET LIGHT 150W

RL STREET LIGHT: MAKE THE STREET DIFFERENT!

Our Street Light is the perfect combination of light and technology. The Power LEDs provide the maximum brightness. Designed for illuminating both small streets and great roads, it is the ideal substitute for the traditional concept of street lighting.



ARMATURA STRADALE A LED RL: RENDI LA STRADA DIFFERENTE!

La nostra armatura stradale è la combinazione perfetta tra tecnologia e luce. I power LED rilasciano il massimo della luminosità. Progettato per illuminare sia piccoli viali che grandi strade, è il sostituto ideale del tradizionale concetto di illuminazione stradale.

LED STRAßENLEUCHTE RL: VERÄNDERT DIE STRASSE!

Unsere Straßenleuchte ist die perfekte Kombination aus Technologie und Licht. Die Power LED erreicht eine maximale Lichtstärke. Es ist eine innovative Lösung um die traditionelle Straßenbeleuchtung zu ersetzen.



C.R.I COMPARISON



OUR STREETLIGHT C.R.I. > 80



NORMAL C.R.I. 60

TECHNICAL DATA

ARTICLE NUMBER	170054NW1S/ 170054CW1S	170054NW2M/ 170054CW2M	170054NW3M/ 170054CW3M	170054NW5S/ 170054CW5S
NAME OF PRODUCT	STREET LIGHT 150W			
INNER CARTON	1	1	1	1
MASTER CARTON	1	1	1	1
WEIGHT SINGLE PIECE	10,6 Kg	10,6 Kg	10,6 Kg	10,6 Kg

GENERAL CHARACTERISTICS

MAIN APPLICATION	Municipal Road, Park, Parking, Highway, Road, Street			
NOMINAL LIFETIME	>80.000 hours	>80.000 hours	>80.000 hours	>80.000 hours
SOURCE (LED TYPE)	PHILIPS LUMILED	PHILIPS LUMILED	PHILIPS LUMILED	PHILIPS LUMILED
IP RATE/IK RATE	IP66/IK08	IP66/IK08	IP66/IK08	IP66/IK08

LIGHTING DATA

COLOR TEMPERATURE	4.000K/ 5.3000K	4.000K/ 5.3000K	4.000K/ 5.3000K	4.000K/ 5.3000K
CRI	> 80	> 80	> 80	> 80
LUMINOUS FLUX	>21.000(4.000K) / >22.500(5.300K)			
LLMF (LUMEN MAINTENANCE)	96% 6.000h, 92% 12.000h, 86% 30.000hv			
RATED BEAM ANGLE	TYPE OPTICS 1S:135x50°	TYPE OPTICS 2M: 138x60°	TYPE OPTICS 3M: 141x65°	TYPE OPTICS 5S: 110x110°

ELECTRICAL DATA

SYSTEM POWER	150 W	150 W	150 W	150 W
START TIME (SECOND)	<0,1 S	<0,1 S	<0,1 S	<0,1 S
WARM-UP TIME TO 60% LIGHT OUTPUT	<0,1 S	<0,1 S	<0,1 S	<0,1 S
DRIVER	MEANWELL HLG	MEANWELL HLG	MEANWELL HLG	MEANWELL HLG
INPUT VOLTAGE	AC 100-240V	AC 100-240V	AC 100-240V	AC 100-240V
FREQUENCY	50/60 Hz	50/60 Hz	50/60 Hz	50/60 Hz
OUTPUT VOLTAGE	42 V	42 V	42 V	42 V
OUTPUT CURRENT	3,7 A	3,7 A	3,7 A	3,7 A
POWER FACTOR	>0,9	>0,9	>0,9	>0,9
DIMMABLE	YES	YES	YES	YES
WORKING TEMPERATURE	-20°/50° C	-20°/50° C	-20°/50° C	-20°/50° C
HUMIDITY	10-90%	10-90%	10-90%	10-90%

DIMENSION

DIMENSION OF THE PRODUCT	723x316x136 mm	723x316x136 mm	723x316x136 mm	723x316x136 mm
WEIGHT SINGLE PIECE	9 Kg	9 Kg	9 Kg	9 Kg
APERTURE DIAMETER	60 mm	60 mm	60 mm	60 mm
MATERIAL	ALLUMINUM/PC	ALLUMINUM/PC	ALLUMINUM/PC	ALLUMINUM/PC

APPROVAL & APPLICATIONS CHARS

VDE MARKING	IN PROCESS	IN PROCESS	IN PROCESS	IN PROCESS
CE MARKING	YES	YES	YES	YES
UL MARKING	IN PROCESS	IN PROCESS	IN PROCESS	IN PROCESS
RoHS COMPLIANCE	YES	YES	YES	YES

STREET LIGHT 200W

RL STREET LIGHT: MAKE THE STREET DIFFERENT!

Our Street Light is the perfect combination of light and technology. The Power LEDS provide the maximum brightness. Designed for illuminating both small streets and great roads, it is the ideal substitute for the traditional concept of street lighting.



ARMATURA STRADALE A LED RL: RENDI LA STRADA DIFFERENTE!

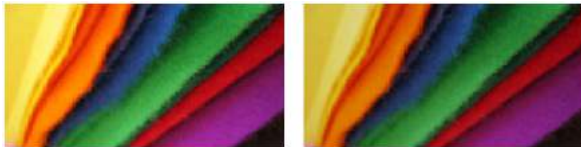
La nostra armatura stradale è la combinazione perfetta tra tecnologia e luce. I power LED rilasciano il massimo della luminosità. Progettato per illuminare sia piccoli viali che grandi strade, è il sostituto ideale del tradizionale concetto di illuminazione stradale.

LED STRAßENLEUCHE RL: VERÄNDERT DIE STRASSE!

Unsere Straßenleuchte ist die perfekte Kombination aus Technologie und Licht. Die Power LED erreicht eine maximale Lichtstärke. Es ist eine innovative Lösung um die traditionelle Straßenbeleuchtung zu ersetzen.



C.R.I. COMPARISON



OUR STREETLIGHT C.R.I. > 80

NORMAL C.R.I. 60

TECHNICAL DATA

ARTICLE NUMBER	170055NW1S/ 170055CW1S	170055NW2M/ 170055CW2M	170055NW3M/ 170055CW3M	170055NW5S/ 170055CW5S
NAME OF PRODUCT	STREET LIGHT 200W			
INNER CARTON	1	1	1	1
MASTER CARTON	1	1	1	1
WEIGHT SINGLE PIECE	11,6 Kg	11,6 Kg	11,6 Kg	11,6 Kg

GENERAL CHARACTERISTICS

MAIN APPLICATION	Municipal Road, Park, Parking, Highway, Road, Street			
NOMINAL LIFETIME	>80.000 hours	>80.000 hours	>80.000 hours	>80.000 hours
SOURCE (LED TYPE)	PHILIPS LUMILED	PHILIPS LUMILED	PHILIPS LUMILED	PHILIPS LUMILED
IP RATE/IK RATE	IP66/IK08	IP66/IK08	IP66/IK08	IP66/IK08

LIGHTING DATA

COLOR TEMPERATURE	4.000K/ 5.3000K	4.000K/ 5.3000K	4.000K/ 5.3000K	4.000K/ 5.3000K
CRI	> 80	> 80	> 80	> 80
LUMINOUS FLUX	>28.000(4.000K) / >30.000(5.300K)			
LLMF (LUMEN MAINTENANCE)	96% 6.000h, 92% 12.000h, 86% 30.000hv			
RATED BEAM ANGLE	TYPE OPTICS 1S:135x50°	TYPE OPTICS 2M: 138x60°	TYPE OPTICS 3M: 141x65°	TYPE OPTICS 5S: 110x110°

ELECTRICAL DATA

SYSTEM POWER	200 W	200 W	200 W	200 W
START TIME (SECOND)	<0,1 S	<0,1 S	<0,1 S	<0,1 S
WARM-UP TIME TO 60% LIGHT OUTPUT	<0,1 S	<0,1 S	<0,1 S	<0,1 S
DRIVER	MEANWELL HLG	MEANWELL HLG	MEANWELL HLG	MEANWELL HLG
INPUT VOLTAGE	AC 100-240V	AC 100-240V	AC 100-240V	AC 100-240V
FREQUENCY	50/60 Hz	50/60 Hz	50/60 Hz	50/60 Hz
OUTPUT VOLTAGE	42 V	42 V	42 V	42 V
OUTPUT CURRENT	4,32 A	4,32 A	4,32 A	4,32 A
POWER FACTOR	>0,9	>0,9	>0,9	>0,9
DIMMABLE	YES	YES	YES	YES
WORKING TEMPERATURE	-20°/50° C	-20°/50° C	-20°/50° C	-20°/50° C
HUMIDITY	10-90%	10-90%	10-90%	10-90%

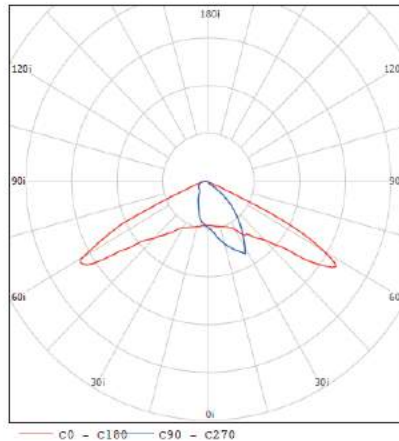
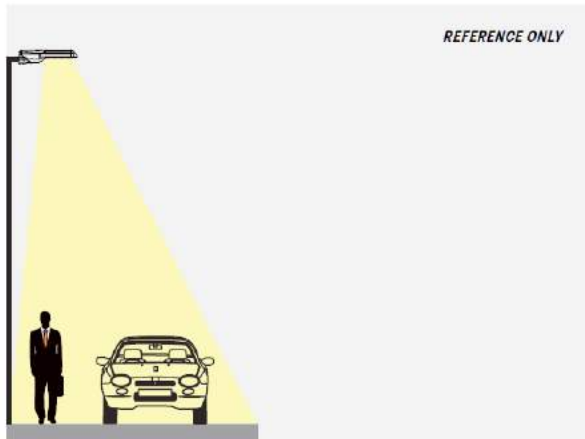
DIMENSION

DIMENSION OF THE PRODUCT	796x316x136 mm	796x316x136 mm	796x316x136 mm	796x316x136 mm
WEIGHT SINGLE PIECE	9,9 Kg	9,9 Kg	9,9 Kg	9,9 Kg
APERTURE DIAMETER	60 mm	60 mm	60 mm	60 mm
MATERIAL	ALLUMINUM/PC	ALLUMINUM/PC	ALLUMINUM/PC	ALLUMINUM/PC

APPROVAL & APPLICATIONS CHARS

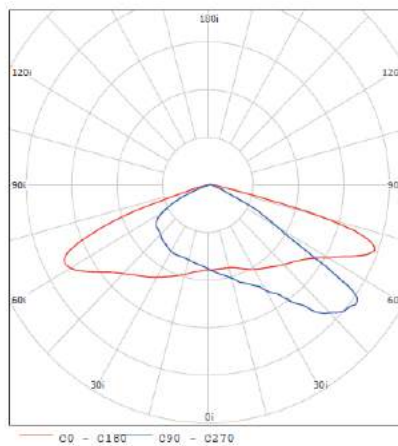
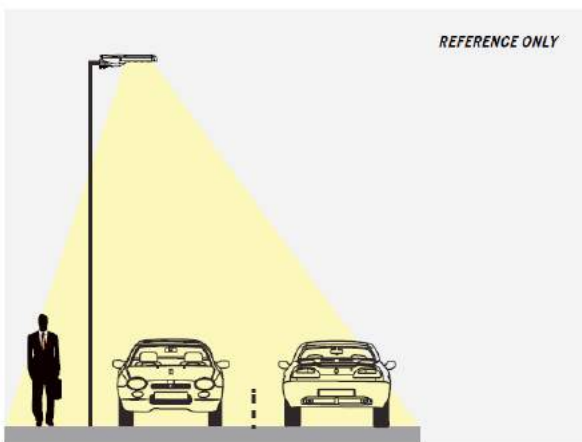
VDE MARKING	IN PROCESS	IN PROCESS	IN PROCESS	IN PROCESS
CE MARKING	YES	YES	YES	YES
UL MARKING	IN PROCESS	IN PROCESS	IN PROCESS	IN PROCESS
RoHS COMPLIANCE	YES	YES	YES	YES

STREET LIGHT



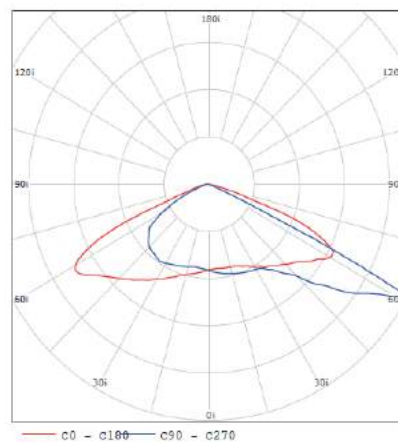
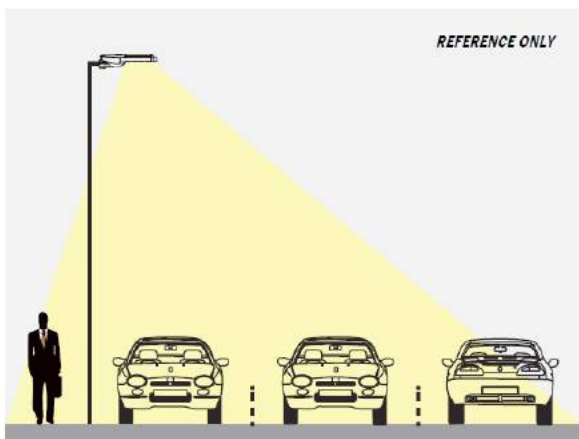
TYPE I (OPTICS 1S), SHORT

- APPLICATION:
- SINGLE DRIVEWAY
 - WALKWAY/CYCLEWAY
 - BRANCH ROADS



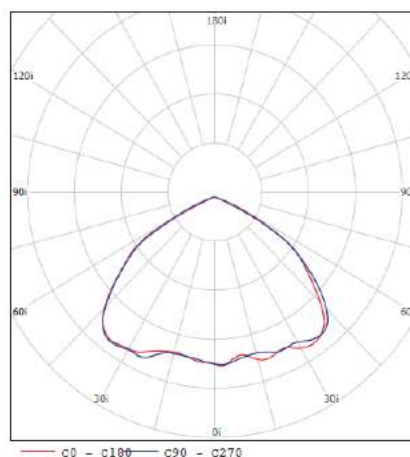
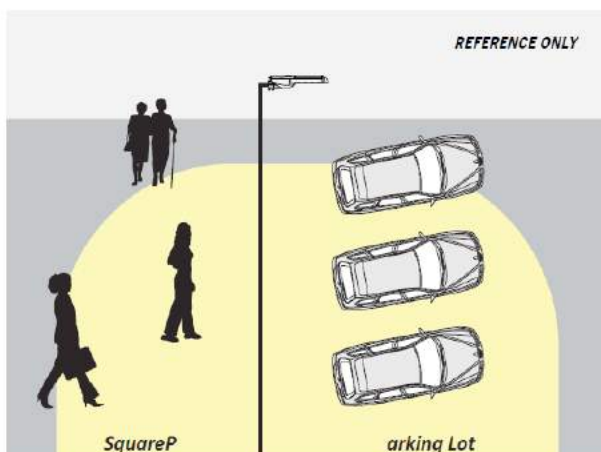
TYPE II (OPTICS 2M), MEDIUM

- APPLICATION:
- TWO DRIVEWAY
 - DRIVEWAY ENTRANCE
 - URBAN MAIN ROADS



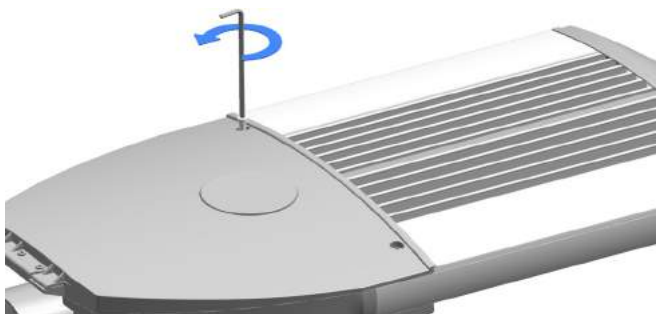
TYPE III (OPTICS 3M), MEDIUM

- APPLICATION:
- THREE DRIVEWAY
 - HIGHWAY
 - PARKING LOT/AREA

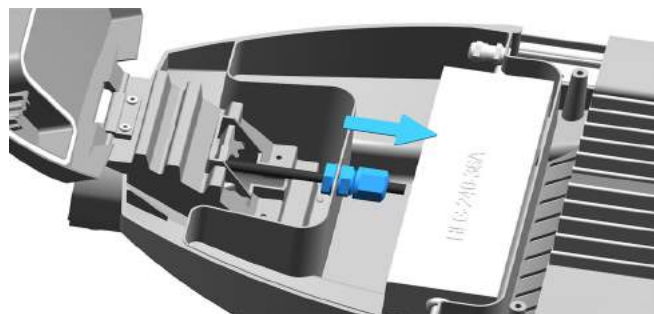


TYPE V (OPTICS 5S), SHORT

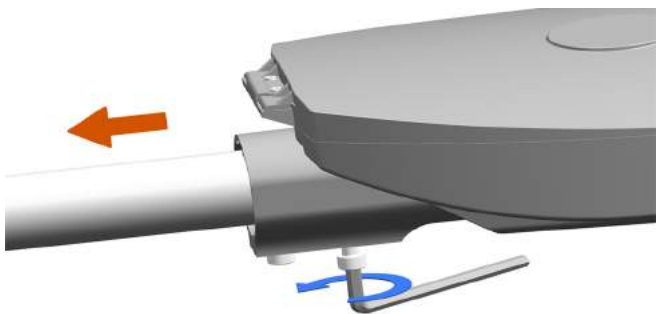
- APPLICATION:
- PARKING LOT
 - SQUARE
 - AREA



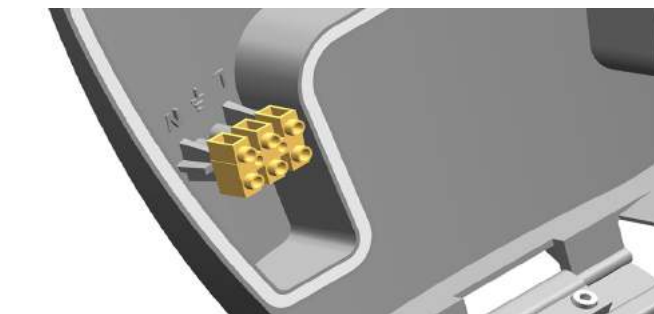
OPEN THE ELECTRICAL BOX BY REMOVE TWO M5 HEXAGON SCREWS.



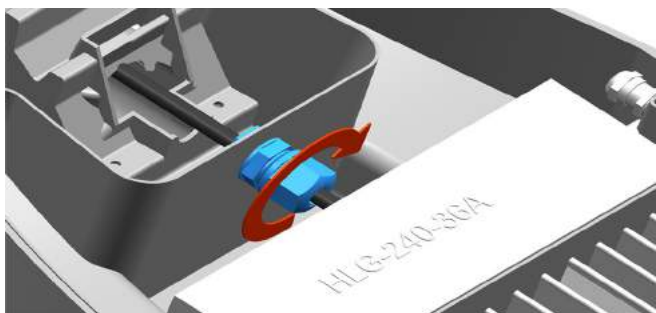
THREAD THE CABLE BY M16 WATERPROOF CONNECTOR, DO NOT TIGHTEN THE CONNECTOR.



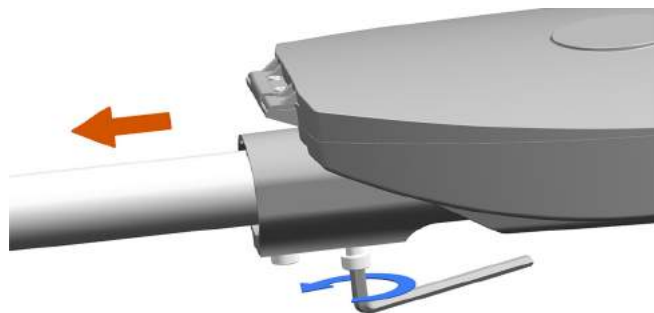
MOUNT THE STREET LIGHT AND ADJUST TO PROPER POSITION, FIX THE TWO M10 SCREWS.



CONNECT THE WIRES TO TERMINAL BLOCK ACCORDANCE WITH L, N AND GND, ON THE COVER OF ELECTRICAL BOX.



TIGHTEN THE WATERPROOF CONNECTOR AFTER CONNECTION FINISHED TO AVOID DAMAGE OF PULL.

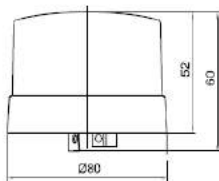


CLOSE THE COVER, TIGHTEN THE M5 HEXAGON SCREWS BOTH SIDES.

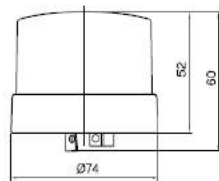
OPTIONALS



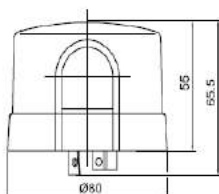
1700900C OPTIC CONTROL - SWITCH ON/OFF BY LUX



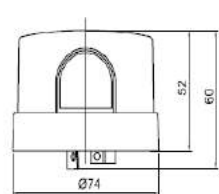
70 MM



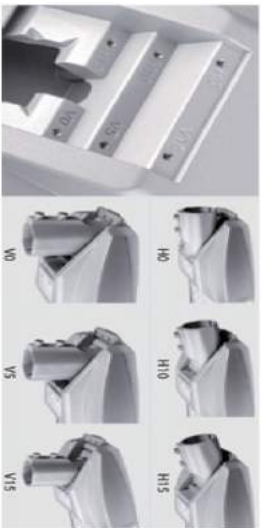
80 MM



70 MM (WINDOW)



80 MM (WINDOW)



FLEXIBLE INSTALLATION

Innovative pole fitter not only with the horizontal and vertical installation features, also has 0-15° adjustable function for each installation direction



A good solution of complete laminating back design can keep the air ventilation function and avoid lacerate



Utilize waterproof connector for output and input cable fixing, avoid damage of hard power pulling



Whole luminaire utilize the stainless steel screws, no corrosion worries

Professional lens design, better performance for street lighting

