

Entry /ECO

Standard /STD

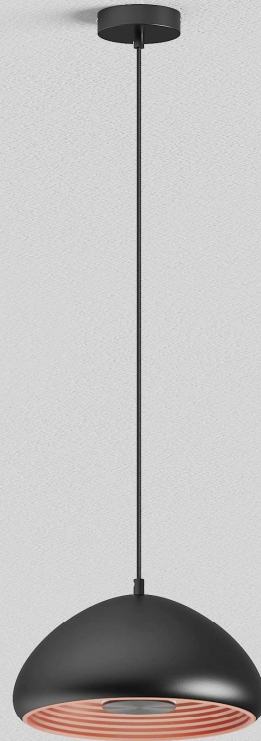
Professional/PRO

ODM & OEM

Intelligent/INT

STD
Specifications

LED Pendant Light
PD173 Series



 **RL Europe**
Your partner in LED



Introduction

This pendant light brings warm lighting to your kitchen, dining table or office. Crafted in electrostatic spraying way, the lamp surface is smooth and bright. Metal paint inner frame with metallic glitter texture makes it hard and has anti-ultraviolet ability. The decorative cover adopts CD pattern processing technology, which makes the whole lamp highly recognizable, aesthetic and advanced visual perception. To let you feel the right ambience in your space, the main light source is illuminated from top, and the wavy lines of diffuse reflection creates a soft and warm atmosphere.

Features

- The simple and round shape can be coordinated with a variety of use environments.
- Create an atmosphere through the lines of the diffuse reflection ripples, emphasizing the sense of decoration and line design.
- The color of the lamp body is customized according to the personality.
- Quick install: Pendant with surface mounted bracket, track install.
- Internal flicker free driver.
- Triac dimming available.

Application Areas

It's widely used in indoor application, such as restaurant, kitchen, bar, office, reception etc.





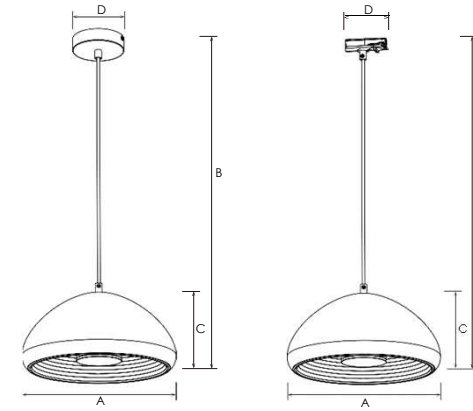
Technical Data Sheet (White RAL9016-Outside & Golden RAL1001-Inside)

Code No.	PD173A/B-8-8W-D				PD173A/B-12-15W-D				
Dimension(mm)	Ø200*1525				Ø300*1575				
Cutout (mm)	-								
Watt(W)	8W				15W				
Rated Input Voltage(V)	AC220-240V								
Input Voltage(V)	AC198-264V								
LED Module Input	-								
Light Source	SMD								
SDCM	-								
LED CCT	2700K	3000K	4000K	5000K	2700K	3000K	4000K	5000K	
Luminaire CCT ±2%	2450K	2600K	3350K	3950K	2450K	2600K	3350K	3950K	
CCT Selection DIP Switch	NO								
Luminous Flux (lm) ±5%	1-CCT	Non-DIM	-						
		DIM	360	370	390	395	740	780	830
	3-CCT	Non-DIM	-						
		DIM	-						
CRI	80								
Beam Angle (°)	125°								
UGR	-								
LED Driver	Built-in								
Dimming Option	Triac								
Sensor	NO								
Emergency Kits	NO								
Electrical Class	Class I								
Ingress Protection (IP Rating)	IP20								
Impact Resistance (IK Rating)	-								
Product Finishing(Base)	White RAL 9016								
Materials of Optics	PC								
Materials of Housing	Iron								
Lifetime (hr)	50,000h								
Glow wire test (°C)	750°C								
Operating Temp (°C)	-20°C~40°C								
Storage Temp (°C)	-20°C~65°C								
Installation	Pendant (With round ceiling plate) / Pendant (With Track)								



Technical Data Sheet (Black RAL9005-Outside & Copper RAL3012-Inside)

Code No.	PD173A/B-8-8W-D				PD173A/B-12-15W-D				
Dimension(mm)	Ø200*1525				Ø300*1575				
Cutout (mm)	-								
Watt(W)	8W				15W				
Rated Input Voltage(V)	AC220-240V								
Input Voltage(V)	AC198-264V								
LED Module Input	-								
Light Source	SMD								
SDCM	-								
LED CCT	2700K	3000K	4000K	5000K	2700K	3000K	4000K	5000K	
Luminaire CCT ±2%	2015K	2120K	2675K	3145K	2070K	2130K	2710K	3170K	
CCT Selection DIP Switch	NO								
Luminous Flux (lm) ±5%	1-CCT	Non-DIM	-						
		DIM	240	245	250	255	480	490	500
	3-CCT	Non-DIM	-						
		DIM	-						
CRI	80								
Beam Angle (°)	125°								
UGR	-								
LED Driver	Built-in								
Dimming Option	Triac								
Sensor	NO								
Emergency Kits	NO								
Electrical Class	Class I								
Ingress Protection (IP Rating)	IP20								
Impact Resistance (IK Rating)	-								
Product Finishing(Base)	Black RAL 9005								
Materials of Optics	PC								
Materials of Housing	Iron								
Lifetime (hr)	50,000h								
Glow wire test (°C)	750°C								
Operating Temp (°C)	-20°C~40°C								
Storage Temp (°C)	-20°C~65°C								
Installation	Pendant (With round ceiling plate) / Pendant (With Track)								



Technical Data Sheet(Copper RAL3012-Outside & White RAL9016-Inside)

Code No.	PD173A/B-8-8W-D				PD173A/B-12-15W-D				
Dimension(mm)	Ø200*1525				Ø300*1575				
Cutout (mm)	-								
Watt(W)	8W				15W				
Rated Input Voltage(V)	AC220-240V								
Input Voltage(V)	AC198-264V								
LED Module Input	-								
Light Source	SMD								
SDCM	-								
LED CCT	2700K	3000K	4000K	5000K	2700K	3000K	4000K	5000K	
Luminaire CCT ±2%	2635K	2785K	3675K	4400K	2590K	2745K	3590K	4315K	
CCT Selection DIP Switch	NO								
Luminous Flux (lm) ±5%	1-CCT	Non-DIM	-						
		DIM	530	540	580	590	1120	1125	1200
	3-CCT	Non-DIM	-						
		DIM	-						
CRI	80								
Beam Angle (°)	125°								
UGR	-								
LED Driver	Built-in								
Dimming Option	Triac								
Sensor	NO								
Emergency Kits	NO								
Electrical Class	Class I								
Ingress Protection (IP Rating)	IP20								
Impact Resistance (IK Rating)	-								
Product Finishing(Base)	Copper								
Materials of Optics	PC								
Materials of Housing	Iron								
Lifetime (hr)	50,000h								
Glow wire test (°C)	750°C								
Operating Temp (°C)	-20°C~40°C								
Storage Temp (°C)	-20°C~65°C								
Installation	Pendant (With round ceiling plate) / Pendant (With Track)								

Measurement

	Dimension(mm)				Ø79(mm)	Product Weight (Kg)		Package weight (Kg)		Carton Size(cm)			
	A	B	C	D		N.W/PC	G.W/PC	N.W/CTN	G.W/CTN	CTN	20GP (pcs)	40HQ (pcs)	
PD173A-8-8W-D	Ø200	1525	90	Ø100	Ø200*1525	0.68	0.885	0.945	7.76	45.5*45.5*39	8	2800	5800
PD173A-12-15W-D	Ø300	1575	150	Ø100	Ø300*1575	1.12	1.38	1.44	3.08	33.5*33.5*49	2	900	2072
PD173B-8-8W-D	Ø200	1525	90	84	Ø200*1525	0.58	0.78	0.82	6.76	45.5*45.5*39	8	2800	5800
PD173B-12-15W-D	Ø300	1575	150	84	Ø300*1575	1.1	1.3	1.36	3.02	33.5*33.5*49	2	900	2072

Driver Datasheet (Triac Dimmable)

		Total load wattage	8W	15W
Output	Rated output current		95mA	190mA
	Output Voltage range		DC60-75V	
	Line Regulation		±5%	
	Setup, Rise Time		<0.5S	
	Flickering Index		≤5%(NO RISK)	
Input	Rated Input Voltage		AC220-240V	
	Input Voltage		AC198-264V	
	Frequency		50Hz	
	Rated Input Current		≤0.04A	≤0.08A
	Input Current		≤0.05A	≤0.09A
	Power Factor		0.85	0.9
	THD		-	
	Efficiency		≥85%	≥84%
Protection	No load wattage		≤0.5W	
	Short circuit protection		PASS	
	Over voltage protection		PASS	
	Over temperature protection		PASS	
Safety & EMC	Withstand voltage		-	
	Isolation Resistance		-	
	Surge		IEC/EN61000-4-5(P<25W; L-N:500V, L/N-PE:1KV)	
	EMC Emission		EN55015, EN61000-3-2	
EMC Immunity		EN61000-4-2,3,4,5,6,8,11; EN61547		

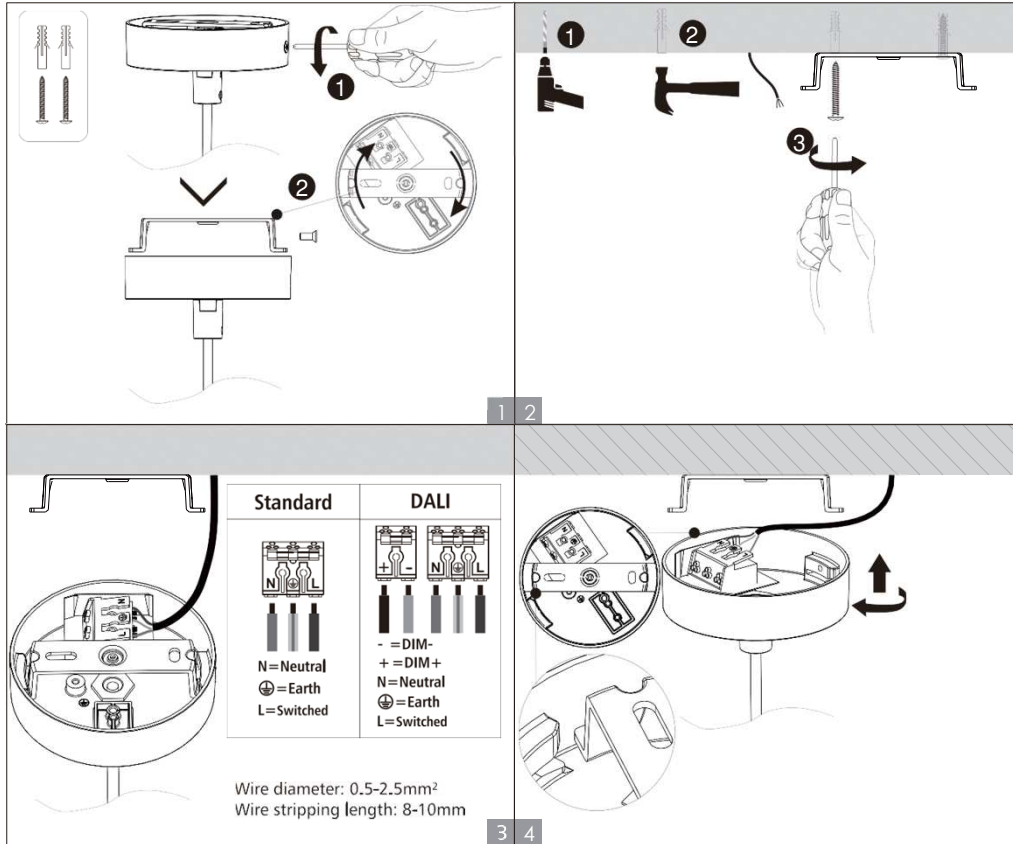
Installation Instruction

WARNING

1. Switch off before installation.
2. Switch on only after complete installation and examination of the circuit.
3. Professional electrician for installation and maintenance only.

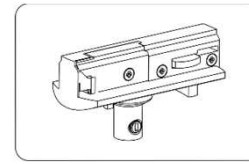


Pendant (With round ceiling plate)



Pendant (With Track)

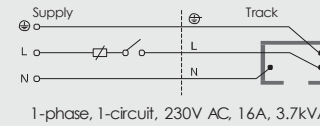
- Select corresponding adapter before installation



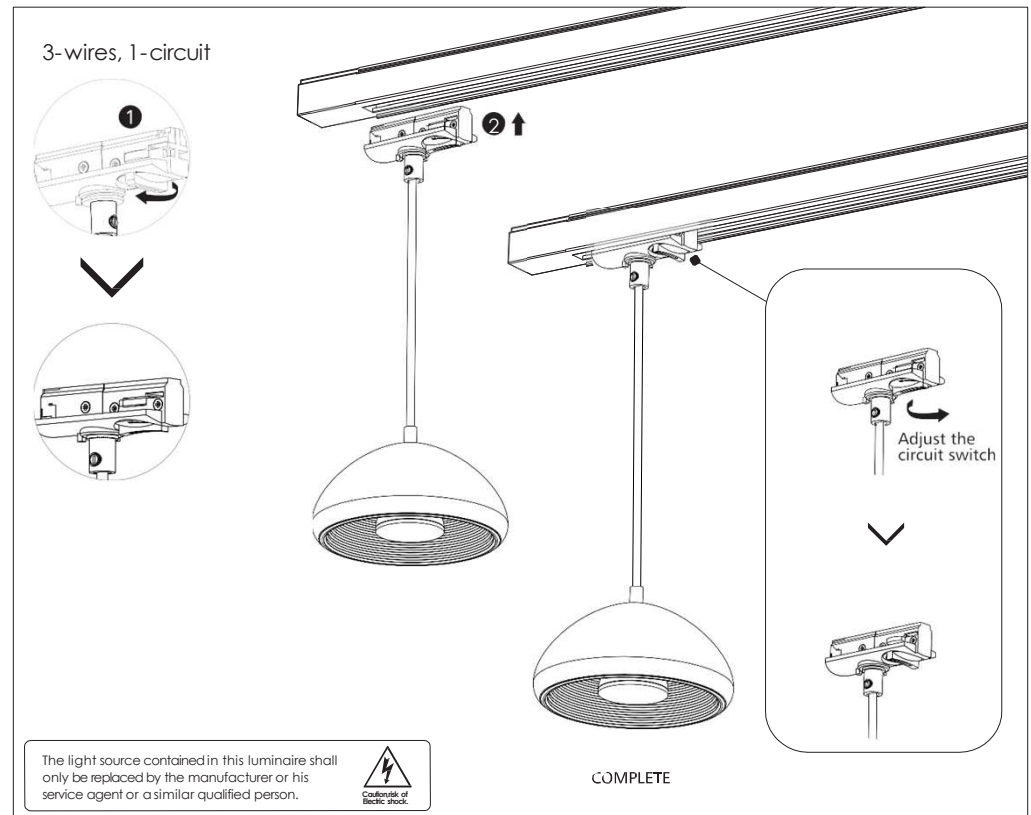
3-wires, 1-circuit

- Wiring Diagram

3-wires, 1-circuit



- How to install ?





RL Europe
Your partner in LED

www.rleurope.ch

info@rleurope.ch

TEL: +41 (0)91 6832255

Add: via E. Bossi 12/B, CH-6830 Chiasso (TI)