

Entry / ECO

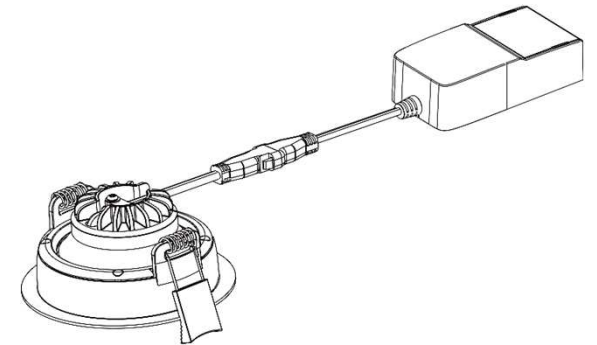
Standard / STD

Professional / PRO

ODM & OEM

Intelligent / INT

ECO
Specifications



LED Downlight
CL130 Series



White



Black



Silver



Nickel brushed



Introduction

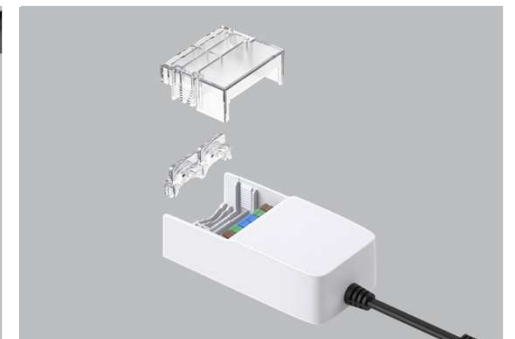
This downlight is a gyro design. Adopt high lumen COB light source, ADC12 aluminum housing provides a great heat dissipation. The luminaire is tilted 23° in all directions (360°), perfectly meet the demands of different lighting angle. Also available as Dim-to-Warm version (2000K-3000K).

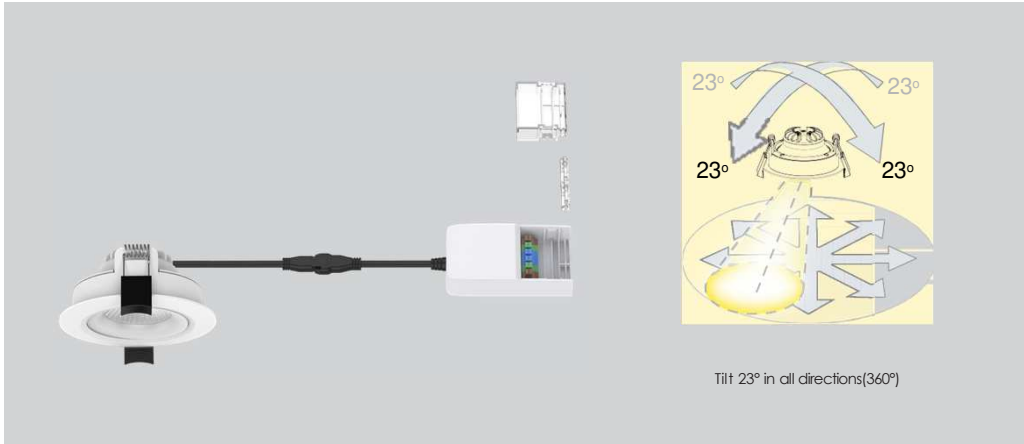
Features

- Suitable for covering with insulation material directly.
- Easy installation with push terminals, loop-in / out design.
- Gyro design in all direction 360°.
- Dim to warm 2000-3000K option.
- Cutout 83mm.
- CRI80/90/95 for single CCT, CRI97 for Dim-to-Warm version.
- Finished color: White/Black/Silver/Nickel brushed.
- Replaceable driver.
- Triac / 0-10V / DALI dimming available.

Application Areas

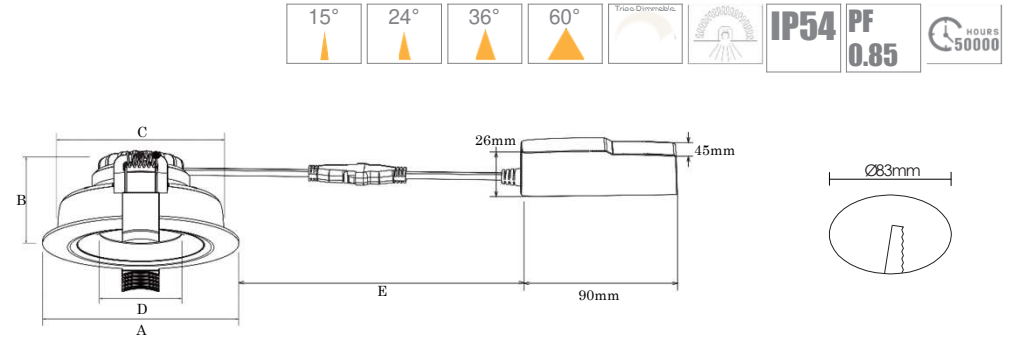
It is designed for general lighting applications in office, supermarket, shop, school, hotel, etc. It is also widely used for public areas, such as stairway, lobby, reception, corridors etc.





Technical Data Sheet

Code No.		CL130-2.5-8W			CL130-2.5-8W-DW	
Dimension(mm)		Ø95*45mm				
Cutout (mm)		Ø83mm				
Watt(W)		8W				
Rated Input Voltage(V)		AC230V				
Input Voltage(V)		AC200-240V				
LED Module Input		DC33-38V				
Light Source		COB				
SDCM		<6				
CCT(K)		1-CCT: 2700K / 3000K / 4000K / 5000K			WW:2000K - 3000K	
CCT Selection DIP Switch		No			YES	
Luminous Flux (lm) ±5%	Non-DIM	1-CCT	-	-	-	-
	DIM		700~850	620~750	450~620	-
	Non-DIM	CCT Change	-	-	-	-
	DIM		-	-	-	350~420
CRI		80	90	95	90-97	
Beam Angle (°)		15°/24°/36°/60°				
UGR		-				
LED Driver		Built-out				
Dimming Option		Triac				
Sensor		-				
Emergency Kits		-				
Electrical Class		Class II				
Ingress Protection (IP Rating)		IP20(for other part), IP54(only for the LED cover)				
Impact Resistance (IK Rating)		-				
Product Finishing(Base)		White /Black/Silver/Nickel brushed				
Materials of Optics		PC				
Materials of Housing		PC/Die-casting				
Lifetime (hr)		50,000h				
Glow wire test (°C)		850°C				
Operating Temp. (°C)		-20°C~45°C (Can be covered under 25°C)				
Storage Temp. (°C)		-20°C~65°C				
Installation		Recessed				



Measurement

Code	Dimension(mm)					Size (mm)	Product Weight (Kg)		Package weight (Kg)		Carton Size(cm)	Qty/CTN	20GP (pcs)	40HQ (pcs)
	A	B	C	D	E		N.W/PC	G.W/PC	N.W/CTN	G.W/CTN				
CL130-2.5-8W	95	45	80	40	210	Ø95*45	0.275	0.315	12.6	14.3	54.5*48*22.5	40	19200	42240
CL130-2.5-8W-DW	95	45	80	40	210	Ø95*45	0.275	0.315	12.6	14.3	54.5*48*22.5	40	19200	42240

Driver Datasheet (Triac-Dimmable)

Total load wattage		8W
Output	Output Voltage range	DC23-40 V
	Rated output current	170mA±5%
	Line Regulation	7%
	Setup, Rise Time	≤0.5S
	Flickering Index	8%
Input	Input Voltage	AC200-240V
	Rated Input Voltage(V)	AC230V
	Frequency	50Hz
	Input Current	0.04A
	Rated Input Current	0.05A
	Power Factor	0.85
	THD	-
	Efficiency	73%
Protection	No load wattage	1W
	Short circuit protection	Pass
	Over voltage protection	Pass
	Over temperature protection	Pass
Safety & EMC	Withstand voltage	I/P-O/P:3.75KVac,<5mA 60S; I/P-FG:1.6KVac,<5mA 60S; O/P-FG:0.5KVac,<5mA 60S
	Isolation Resistance	I/P-O/P: 500VDC, ≥100M Ω (Lamp test)
	Surge	IEC/EN61000-4-5 (P<25W; L-N:500V)
	EMC Emission	IEC/EN55015
	EMC Immunity	IEC/EN61000-4-2,3,4,5,6,8,11; IEC/EN61547



Installation Procedure

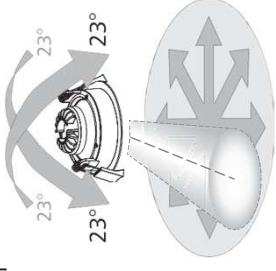
WARNING

1. Switch off before installation.
2. Switch on only after complete installation and examination of the circuit.
3. Professional electrician for installation and maintenance only.



Downlight with external driver

Gyro design applicable for specific product



23/30 degrees tilt design



Tilt 23° In all directions(360°)

Ø83mm
C/C 80mm

Cutout (Refer to cutout table)

2-1 2-2

L — Switched
N — Neutral

If the external flexible cable or cord of this luminaire is damaged, it shall be exclusively replaced by the manufacturer or his service agent or a similar qualified person in order to avoid a hazard.

COMPLETE

The light source contained in this luminaire shall only be replaced by the manufacturer or his service agent or a similar qualified person.



RL Europe
Your partner in LED

www.rleurope.ch

info@rleurope.ch

TEL: +41 (0)91 6832255

Add: via E. Bossi 12/B, CH-6830 Chiasso (TI)