

LED Batten

DB66B Series

Introduction



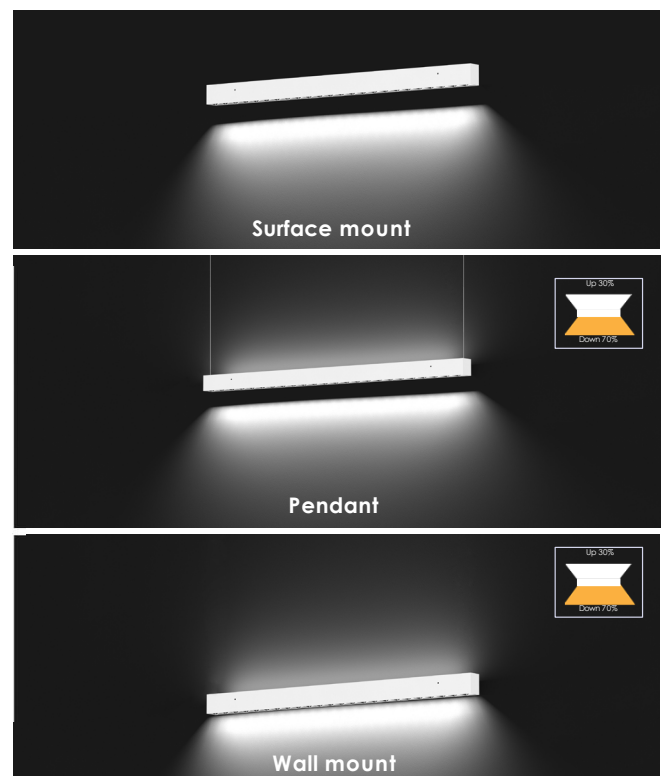
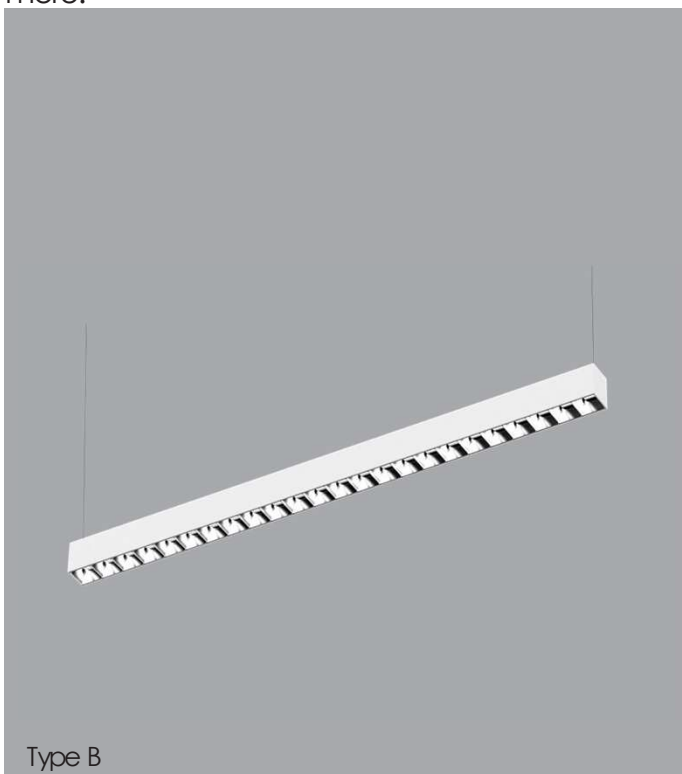
◀ The DB66B is a new linkable design light. Adopt high lumen efficiency SMD LED with even light output, aluminum light body providing excellent thermal management. Pendant, surface mounted, wall mounted all available.

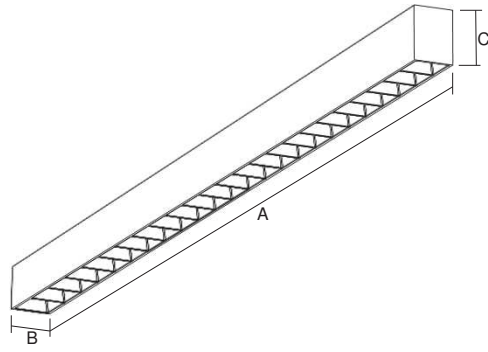
Features

1. Multiple installation: Pendant/surface mounted/wall mounted.
2. Modular design with convenient replacement.
3. High lumen efficiency, 110lm/w.
4. Anti-glare design, UGR<19.
5. DALI, 0-10V dimming for options.
6. With emergency function available.
7. Up and down light effect for wall mount and pendant installation.

Application Areas

It is mainly used for traditional suspended installation such as workshop, utility rooms, garages and more.





Measurement

Model	Dimension(mm)			Size(mm)	Product Weight (Kg)		Package weight (Kg)		Carton Size(cm)	Qty/CTN	20GP (pcs)	40HQ (pcs)
	A	B	C		N.W/PC	G.W/PC	N.W/CTN	G.W/CTN				
1200	1204	56	75	1204*56*75	2.75	3	16.5	17.5	131*21*19.5	6	3036	7254
1500	1504	56	75	1504*56*75	3.35	3.65	20	21.5	161*21*19.5	6	2442	6084

Technical Data Sheet

Model No.	DB66B-1200-36W DB66B-1200-36W-E		DB66B-1200-50W	DB66B-1500-42W DB66B-1500-42W-E		DB66B-1500-60W
Watt(W)	36W		50W	42W		60W
Dimension(mm)	1204*56*75			1504*56*75		
Rated Input Voltage(V)	AC230V					
Input Voltage(V)	AC220-240V					
LED	SMD					
SDCM	<6					
CCT(K)	1-CCT: 3000K / 4000K / 5000K / 5700K					
"Luminous Flux (lm) ±5%"	1-CCT	3700~3950	5000~5300	4400~4600		6300~6600
	3-CCT	-	-	-		-
CRI	>80					
Beam Angle (°)	60°					
UGR	<19					
LED Driver	Built-in					
DIM	DALI,0-10V					
CCT Selection Switch	Yes					
Protection Class	Class I					
IP Rating	IP20					
IK Rating	IK06					
Finishing color	White RAL 9016					
Material	PC / Aluminum					
Lifetime (hr)	50,000h					
Glow wire test (°C)	750°C					
Operating Temp.(°C)	-20°C~45°C					
Storage Temp.(°C)	-20°C~65°C					
Installation	Surface mount / Pendant / Wall mount					

Driver Datasheet(Non-dimmable)

Power	36W	42W	50W	60W
Rated Input Voltage(V)	AC230V			
Frequency	50/60Hz			
Input Voltage	AC220-240V			
Efficiency	≥87%	≥87%	≥87%	≥87%
Total load wattage	36W±5%	42W±5%	50W±5%	60W±5%
Power Factor	0.9			
Rated Input Current	≤0.26A	≤0.4A	≤0.4A	≤0.4A
Full load output voltage	DC33-42V	DC33-42V	DC33-42V	DC33-42V
Rated output current	950mA	1100mA	1300mA	1550mA
Output current range	950mA±5%	1100mA±5%	1300mA±5%	1550mA±5%
Power tolerance	±5%			
Current output tolerance	±5%			
Short circuit protection	PASS			
Over voltage protection	PASS			
Over temperature protection	PASS			
THD	≤20% @ 230VAC			
Surge	L-N: 1KV / L,N-PE: 2KV			
Withstand voltage	AC3750			

Driver Datasheet(DALI Dimmable)

Power	36W	42W	50W	60W
Rated Input Voltage(V)	AC230V			
Frequency	50/60Hz			
Input Voltage	AC220-240V			
Efficiency	≥87%	≥87%	≥87%	≥87%
Total load wattage	36W±5%	42W±5%	50W±5%	60W±5%
Power Factor	0.9			
Rated Input Current	≤0.22A	≤0.27A	≤0.32A	≤0.36A
Full load output voltage	DC20-50V	DC20-50V	DC20-50V	DC20-50V
Rated output current	950mA	1100mA	1300mA	1550mA
Output current range	950mA±5%	1100mA±5%	1300mA±5%	1550mA±5%
Power tolerance	±5%			
Current output tolerance	±5%			
Dimming Range	0%~100%			
Short circuit protection	PASS			
Over voltage protection	PASS			
Over temperature protection	PASS			
THD	≤20% @ 230VAC			
Surge	L-N: 1KV / L,N-PE: 2KV			
Withstand voltage	AC3750			

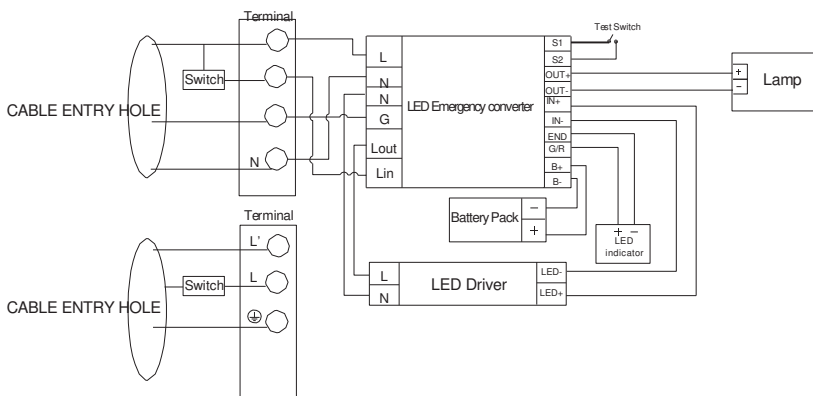
Driver Datasheet(0-10V Dimmable)

Power	36W	42W	50W	60W
Rated Input Voltage(V)	AC230V			
Frequency	50/60Hz			
Input Voltage	AC220-240V			
Efficiency	≥87%	≥87%	≥87%	≥87%
Total load wattage	36W±5%	42W±5%	50W±5%	60W±5%
Power Factor	0.9			
Rated Input Current	≤0.22A	≤0.27A	≤0.32A	≤0.36A
Full load output voltage	DC25-42V	DC25-42V	DC25-42V	DC25-42V
Rated output current	950mA	1100mA	1300mA	1550mA
Output current range	950mA±5%	1100mA±5%	1300mA±5%	1550mA±5%
Power tolerance	±5%			
Current output tolerance	±5%			
Dimming Range	0%~100%			
Short circuit protection	PASS			
Over voltage protection	PASS			
Over temperature protection	PASS			
THD	≤20% @ 230VAC			
Surge	L-N: 1KV / L,N-PE: 2KV			
Withstand voltage	AC3750			

Driver Datasheet (Emergency)

Power	3W
Rated Input Voltage(V)	AC230V
Frequency	50/60Hz
Input Voltage	AC200-240V
Total load wattage	3W±0.5W
Rated Input Current	≤0.023A
Battery	6.4V 1500mAh (LifepO4)
Lifetime	Over 2000 cycles
Battery duration	≥3hrs
Charge Period	≤24hrs
Emergency switching time	≤1S

Wiring Diagram:



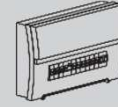
Cable connection

Mark	Description	Building wiring cable
L	Switched Active	Switch cable
L'	Unswitched Active	Unswitch cable
	Earth	Earth cable
N	Neutral	Neutral cable

Installation Procedure

WARNING

1. Switch off before installation / maintenance.
2. Switch on only after complete installation and examination of the circuit.
3. Professional electrician for installation and maintenance only.

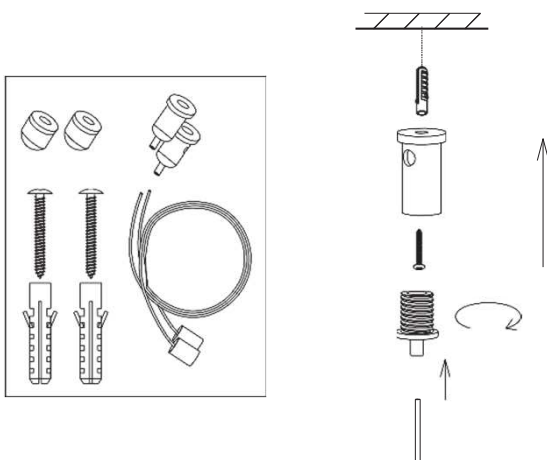


Turn Off
Power Supply

Turn Off power supply before starting any installation. Read instructions & check you have all the tools & accessories to complete the installation correctly.

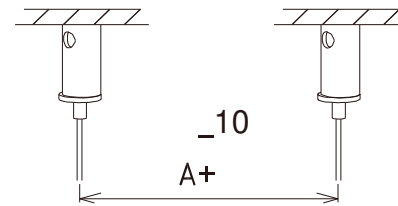
Suspended installation:

Step 1



Fix the holders of suspending ropes on the ceiling.

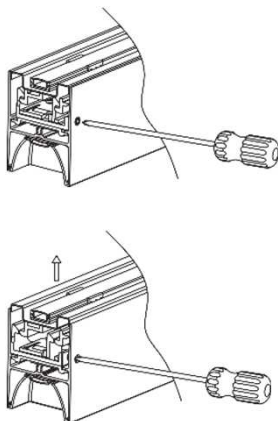
Step 2



Model	A±10
1200mm	1176mm
1500mm	1476mm

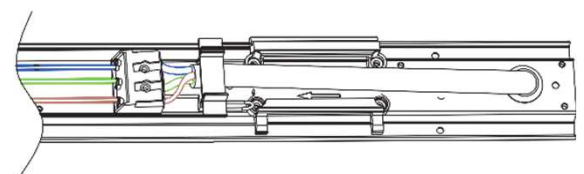
Keep the proper distances of the 2pcs suspending ropes as below table.

Step 3



Press the connectors, take out the ceiling plate.

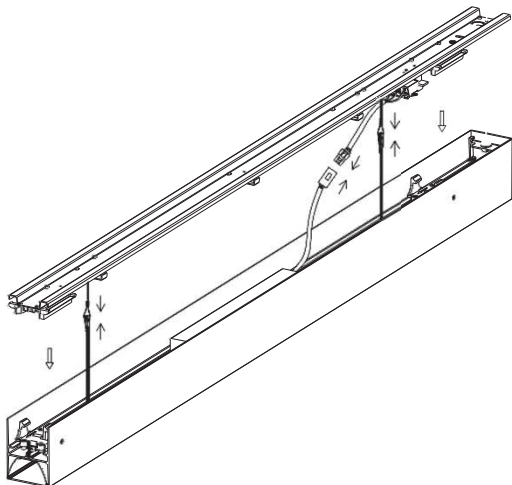
Step 4



Standard	Emergency	DALI / 0-10V	L'=UNSWITCHED L=SWITCHED N=NEUTRAL DA/V+=DIM+ DA/V-=DIM- ⊕ =GROUND

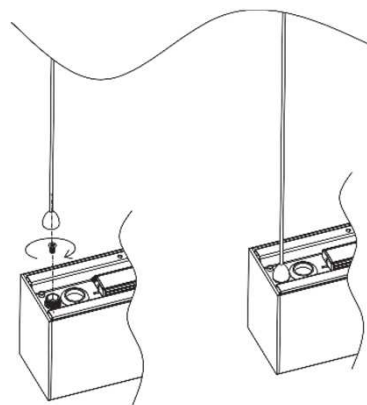
Connect the AC wires.

Step 5



Connect AC plug, fix the safety rope, put ceiling plate into the fixture, make sure the connector hook hangs the ceiling plate tightly.

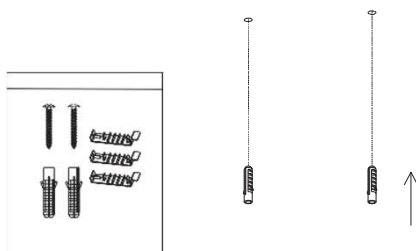
Step 6



Fix the suspending accessories on the lamp.

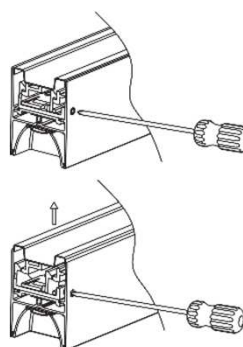
■ Surface mounted installation:

Step 1



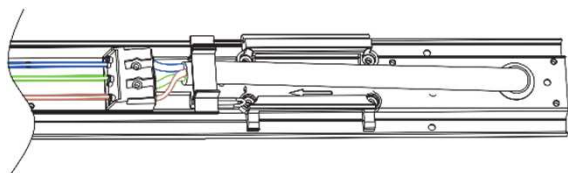
Knock the plastic anchors into ceiling.

Step 2



Press the connectors, take out the ceiling plate.

Step 3

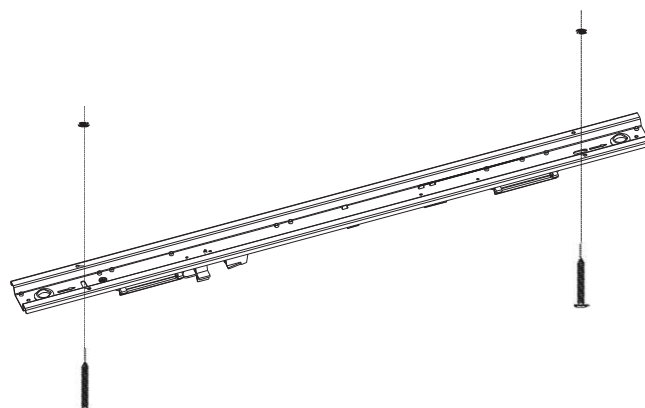


Standard	Emergency	DALI / 0-10V

L=UNSWITCHED
 L=SWITCHED
 N=NEUTRAL
 DA/V+=DIM+
 DA/V-=DIM-
 ⊕=GROUND

Connect the AC wires.

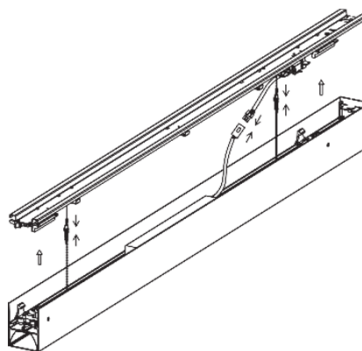
Step 4



Fix the ceiling plate on the ceiling.

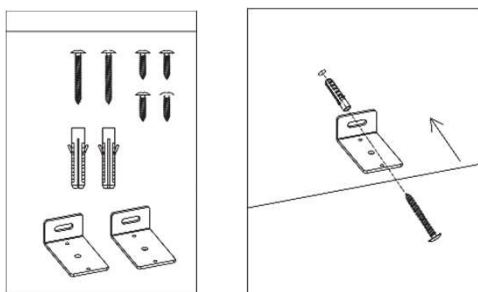
Step 5

Connect AC plug, fix the safety rope, put the fixture into ceiling plate, make sure the connector hook hangs the ceiling plate tightly.



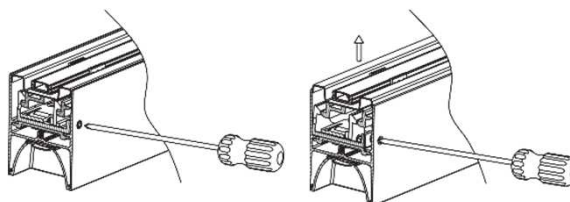
Wall mounted installation:

Step 1



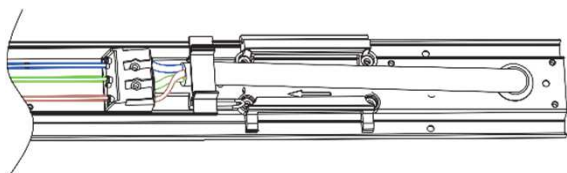
Knock the plastic anchors into the wall, fix the wall plate on the wall.

Step 2



Press the connectors, take out the ceiling plate.

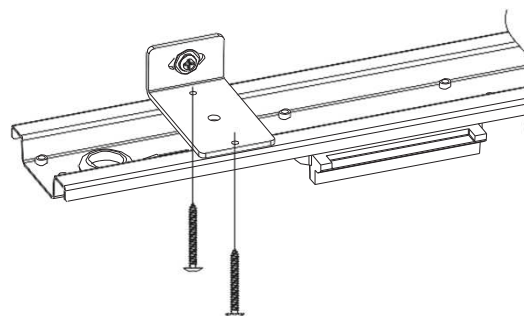
Step 3



Standard	Emergency	DALI / 0-10V	
			L'=UNSWITCHED L=SWITCHED N=NEUTRAL DA/V+=DIM+ DA/V-=DIM- ⊕=GROUND

Connect the AC wires.

Step 4



Fix the ceiling plate on the wall plate.

Step 5

Connect AC plug, fix the safety rope, put the fixture into ceiling plate, make sure the connector hook hangs the ceiling plate tightly.

