

Entry / ECO

Standard / STD

Professional / PRO

ODM & OEM

Intelligent / INT

**STD**  
Specifications

LED Linear  
DB77B Series

 **RL Europe**  
Your partner in LED



## Introduction

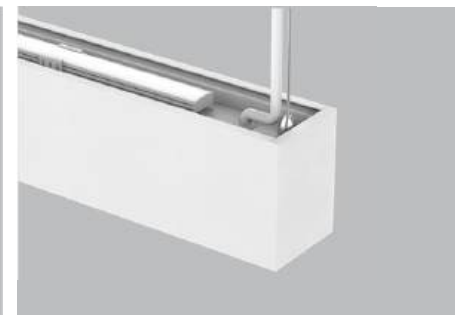
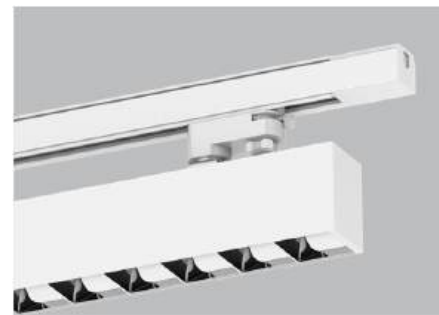
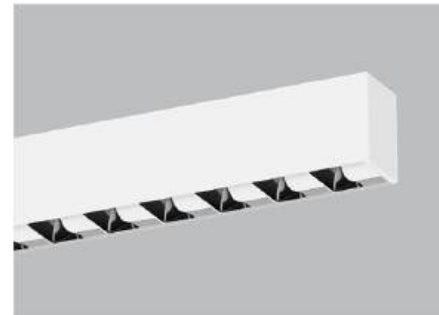
This linear fixture is a seamless splicing design with straight/corner/cross splicing connector, it can realize a very convenient connection with male and female plug. It adopts high lumen SMD light source, PC grill reflector with anti-glare UGR<19 effect, flicker free and high efficiency driver make a better lumen output. Aluminum housing provides an excellent thermal management. Functions: Down lighting, up&down lighting, adjustable CCT, 1-10V, DALI dim. Mounting design: Pendant/surface mounted/wall mounted/recessed/Track/Splicing. Modular design: Replaceable driver.

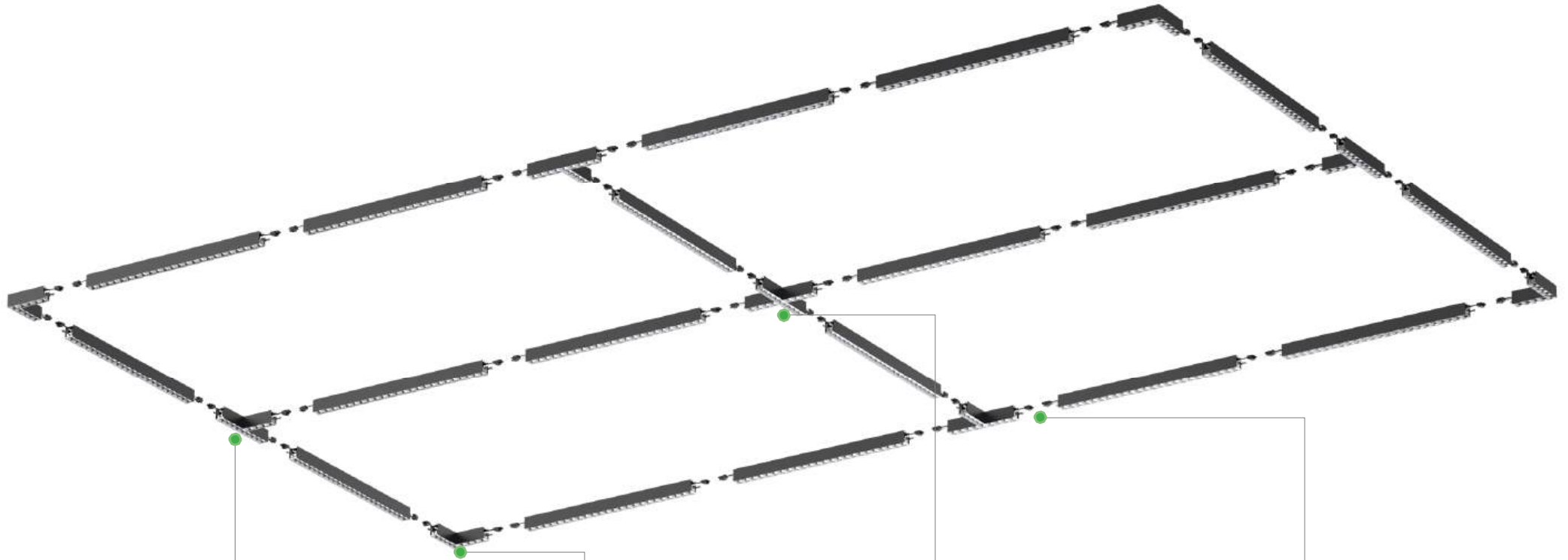
## Features

- Multiple installation: Pendant/surface mount/wall mount/recessed/Track/Splicing.
- Modular design with replaceable driver, up lighting module.
- Seamless splicing with straight"/Corner'L"/Corner'T"/Cross'+'" connectors.
- High lumen efficiency,100lm/w.
- 65 degree, grill reflector with UGR<19.
- Interchangeable CCT(3000/4000/5700K) with slide switch.
- Non dim/DALI/1-10V dim flicker free driver.
- Up and down light effect for wall mount and pendant installation.

## Application Areas

This linear fixture is widely used in shopping mall, office, car park, station, home.

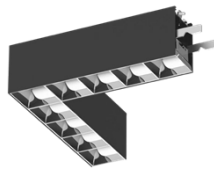




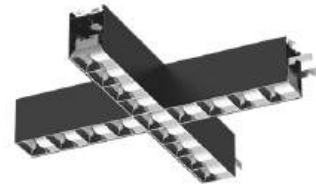
"T" shape  
 ACC-DB778-WT-04  
 ACC-DB778-WT-C3-04  
 ACC-DB778-WT-DA-04  
 ACC-DB778-WT-DAP3-04



Corner "L"  
 ACC-DB778-WT-03  
 ACC-DB778-WT-C3-03  
 ACC-DB778-WT-DA-03  
 ACC-DB778-WT-DAP3-03



Cross "+"  
 ACC-DB778-WT-02  
 ACC-DB778-WT-C3-02  
 ACC-DB778-WT-DAP3-02  
 ACC-DB778-WT-DA-02



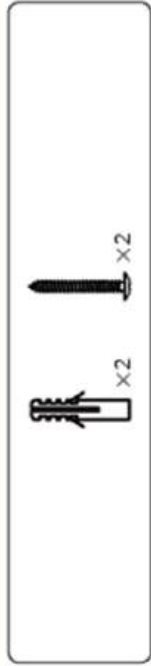
Strengthen connector (used for suspended, track splicing)



included in luminaire

# Accessory

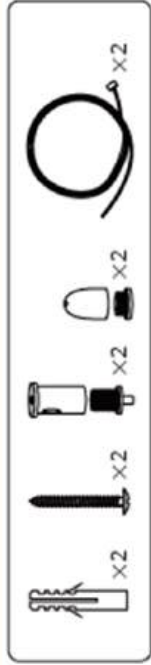
## Surface Mount



Accessory included



## Pendant without ceiling plate



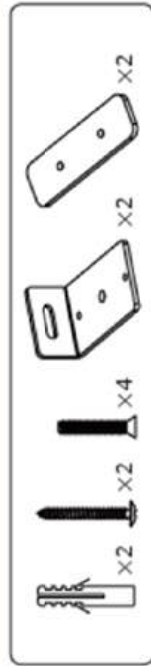
## Pendant with ceiling plate



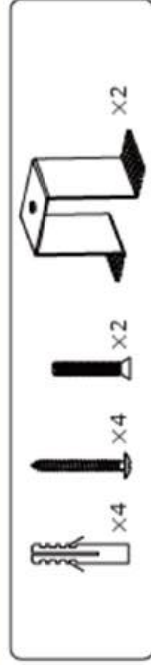
ON/OFF Version: ACC-D866-WT/BK-0200  
DALI/1-10V Version: ACC-D866-WT/BK-DA/00-0200



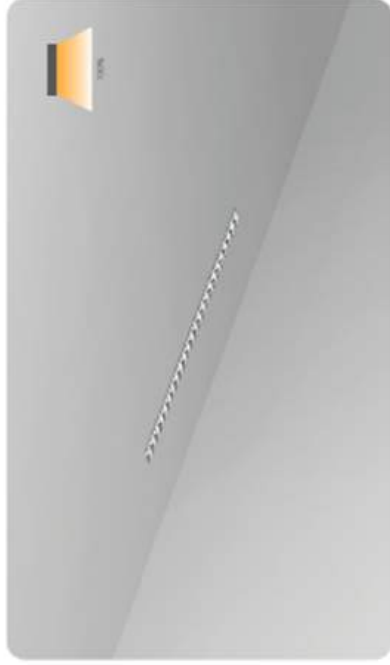
## Wall Mount



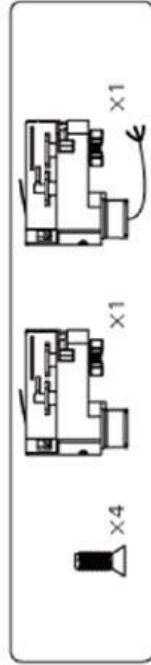
## Recessed



ACC-D866-WT/BK-0300



## Track

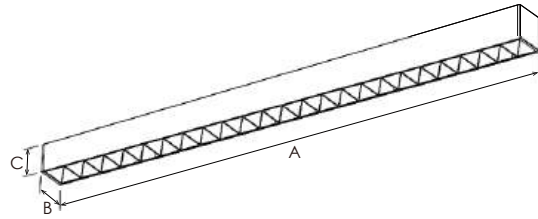


ON/OFF Version: ACC-D877A-WT-0500  
DALI/1-10V Version: ACC-D877A-WT-DA/00-0500



# Measurement

## DB77B

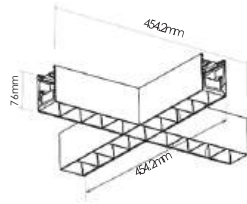


Dimension(mm)	Product Weight (Kg)			Package weight (Kg)		Carton Size(cm)	Qty/CTN	20GP (pcs)	40HQ (pcs)		
	A	B	C	N.W/PC	G.W/PC					N.W/CTN	G.W/CTN
DB77B-1200	1212	57	76	2.3	2.7	13.8	17.2	127*31*25.5	6	1440	3780
DB77B-1500	1512	57	76	2.8	3.3	16.8	21	157*31*25.5	6	1152	3060
DB77B-1800	1812	57	76	3.4	4	20.4	25.5	187*31*25.5	6	1008	2580
DB77B-2400	2412	57	76	4.5	5.4	9.0	12.4	248*22.5*14.5	2	540	1224

## ACC-DB77B

### Cross "+"

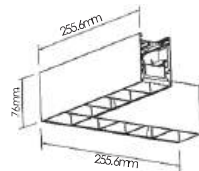
ACC-DB77B-WT-02  
ACC-DB77B-WT-C3-02  
ACC-DB77B-WT-DAP3-02  
ACC-DB77B-WT-DA-02



Code	Size(mm)	Carton Size(cm)	Qty/CTN
Cross "+"	454.2*454.2*76	53*47*48	6
N.W/PC(Kg)	G.W/PC(Kg)	N.W/CTN(Kg)	G.W/CTN(Kg)
1.5	1.75	9	11.8

### Corner "L"

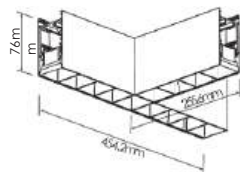
ACC-DB77B-WT-03  
ACC-DB77B-WT-C3-03  
ACC-DB77B-WT-DA-03  
ACC-DB77B-WT-DAP3-03



Code	Size(mm)	Carton	Qty/CTN
Corner "L"	255.6*255.6*76	53*27*28	6
N.W/PC(Kg)	G.W/PC(Kg)	N.W/CTN(Kg)	G.W/CTN(Kg)
0.9	1.05	5.4	7.2

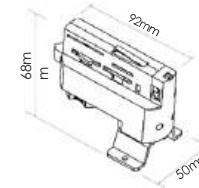
### "T" shape

ACC-DB77B-WT-04  
ACC-DB77B-WT-C3-04  
ACC-DB77B-WT-DA-04  
ACC-DB77B-WT-DAP3-04



Code	Size(mm)	Carton	Qty/CTN
"T" shape	454.2*255.6*76	53*47*28	6
N.W/PC(Kg)	G.W/PC(Kg)	N.W/CTN(Kg)	G.W/CTN(Kg)
1.2	1.4	7.2	9.5

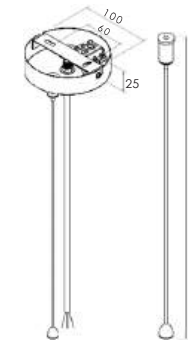
ACC-DB77A-WT-0500  
ACC-DB77A-WT-DA/DO-0500



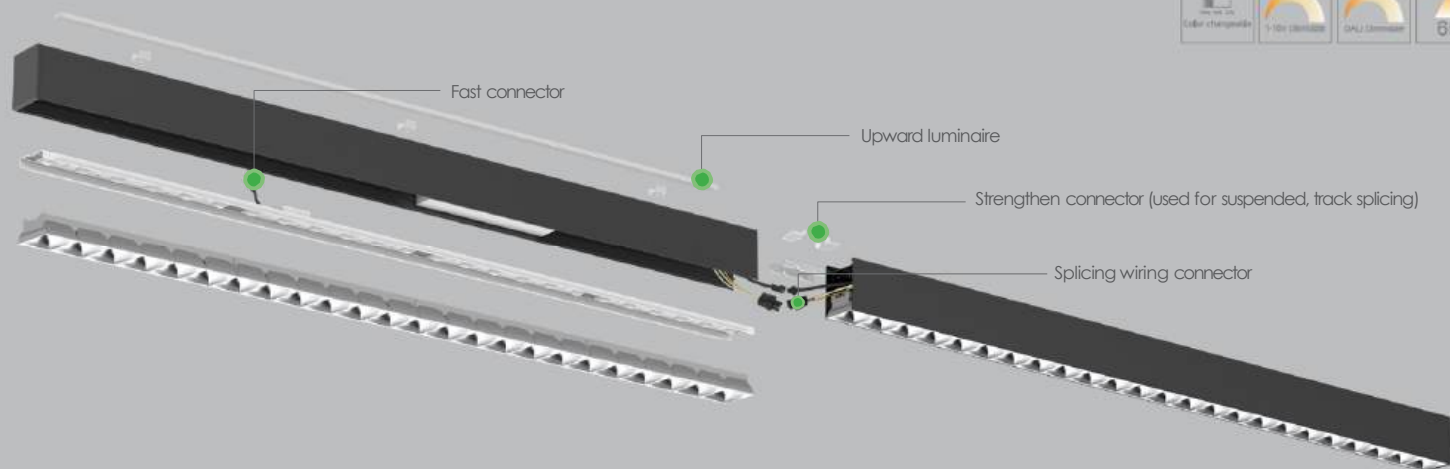
Code	Size(mm)	Carton Size(cm)	Qty/CTN
ACC-DB77A-0500	92*50*68	50*30*37.5	40
N.W/PC(Kg)	G.W/PC(Kg)	N.W/CTN(Kg)	G.W/CTN(Kg)
0.23	0.28	9.2	12.3

### Ceiling plate

ACC-DB66-WT/BK-0200  
ACC-DB66-WT/BK-DA/DO-0200



Code	Size(mm)	Carton Size(cm)	Qty/CTN
ACC-DB66-0200	100*25*1500	40*26*27	24
N.W/PC(Kg)	G.W/PC(Kg)	N.W/CTN(Kg)	G.W/CTN(Kg)
0.27	0.31	6.48	7.82



## Technical Data Sheet

Code No.	DB77B-1200-36W	DB77B-1200-48W	DB77B-1500-45W	DB77B-1500-60W	DB77B-1800-54W	DB77B-1800-65W	DB77B-2400-72W	DB77B-2400-96W	Corner "L"	Corner "T"	Corner "+"	Corner "+"(DALI)		
Dimension(mm)	1212*57*76	1212*57*76	1512*57*76	1512*57*76	1812*57*76	1812*57*76	2412*57*76	2412*57*76	255.6*255.6*76	454.2*255.6*76	454.2*454.2*76			
Cutout (mm) (Recessed version)	1214*63*76	1214*63*76	1514*63*76	1514*63*76	1814*63*76	1814*63*76	2414*63*76	2414*63*76	257*257*76	455*257*76	455*455*76			
Watt(W)	36W	48W	45W	60W	54W	65W	72W	96W	13W	19W	24W	28W		
Rated Input Voltage(V)	AC220-240V								220-240VAC					
Input Voltage(V)	AC198-264V/ AC180-264V								AC198-264V / 180-264VAC					
LED Module Input	-								-					
Light Source	SMD								SMD					
SDCM	<6 (@3000K 4000K 5000K)								<6					
CCT(K)	1-CCT: 3000K/4000K/5000K/5700K    3-CCT: 3000K + 4000K + 5700K								1-CCT: 3000K/4000K/5700K    3-CCT: 3000K + 4000K + 5700K					
CCT Selection DIP Switch	Yes	No	Yes	No	Yes	No	Yes	No	YES					
Luminous Flux (lm) ±5%	1-CCT	Non-DIM	3050-3600	4350-4800	3850-4490	5400-6000	4600-5400	5600-6500	6100-7200	8700-9600	1100-1350	1600-1900	1800-2100	-
		DIM	3050-3600	4350-4800	3850-4490	5400-6000	4600-5400	5600-6500	6100-7200	8700-9600	1100-1350	1600-1900	-	2100-2400
	3-CCT	Non-DIM	3050-3650	-	3850-4550	-	4600-5500	-	6100-7300	-	1100-1350	1600-1900	1800-2100	-
		DIM	3050-3650	-	3850-4550	-	4600-5500	-	6100-7300	-	1100-1350	1600-1900	-	2100-2400
CRI	80								80					
Beam Angle (°)	65°	direct 65°/indirect 110°	65°	direct 65°/indirect 110°	65°	direct 65°/indirect 110°	65°	direct 65°/indirect 110°	Down 65°					
UGR	<19								<19					
LED Driver	Built-in								Built-in					
Dimming Option	DALI / 1-10V								DALI					
Sensor	No								NO					
Emergency Kits	-								NO					
Electrical Class	Class I								Class I					
Ingress Protection (IP Rating)	IP20								IP20					
Impact Resistance (IK Rating)	-								-					
Product Finishing(Base)	White RAL 9016 / Black RAL 9005								White RAL 9016 / Black RAL 9005					
Materials of Optics	PC								PC					
Materials of Housing	Aluminum								Aluminium					
Lifetime (hr)	50,000h								50,000h					
Glow wire test (°C)	750°C								750°C (Cover)					
Operating Temp. (°C)	-20°C~45°C								-20°C~45°C					
Storage Temp. (°C)	-20°C~65°C								-20°C~65°C					
Installation	Surface mount / Pendant / Wall mount / Recessed / Track								Surface mount / Pendant / Wall mount / Recessed / Track					

## Driver Datasheet(Non-dimmable )

Code		DB77B-1200		DB77B-1500		DB77B-1800		DB77B-2400		ComerL	ComerT	Comer+
Total load wattage		36W	48W	45W	60W	54W	65W	36W*2	48W*2	13W	19W	26W
Output	Rated output current	900mA	1200mA	1100mA	1400mA	1300mA	1600mA	900mA*2	1200mA*2	300mA	450mA	600mA
	Output Voltage range	DC23-54V		DC27-54V		DC23-48V		DC23-54V		DC30-42V		
	Line Regulation	±7.5%										
	Setup, Rise Time	≤0.5S/230VAC										
	Flickering Index	5%										
Input	Rated Input Voltage(V)	AC220-240V										
	Input Voltage	AC198-264V										
	Frequency	50/60Hz										
	Rated Input Current	≤0.19A	≤0.25A	≤0.23A	≤0.31A	≤0.28A	≤0.33A	≤0.37A	≤0.49A	≤0.07A	≤0.1A	≤0.14A
	Input Current	≤0.21A	≤0.27A	≤0.26A	≤0.34A	≤0.31A	≤0.37A	≤0.41A	≤0.54A	≤0.08A	≤0.11A	≤0.15A
	Power Factor	>0.9										
	THD	<15% @ 230VAC										
	Efficiency	86%										
No load wattage	<0.5W											
Protection	Short circuit protection	Pass										
	Over voltage protection	Pass										
	Over temperature protection	Pass										
Safety & EMC	Withstand voltage	I/P-O/P:3750VAC,I/P-FG:1750VAC,O/P-FG:500VAC										
	Isolation Resistance	I/P-O/P: 500VDC, ≥100MΩ										
	Surge	IEC/EN61000-4-5 (L-N:1KV, L/N-PE:2KV)										
	EMC Emission	IEC/EN55015, IEC/EN61000-3-2										
	EMC Immunity	IEC/EN61000-4-2,3,4,5,6,8,11; IEC/EN61547										

## Driver Datasheet(DALI-Dimmable )

Code		DB77B-1200		DB77B-1500		DB77B-1800		DB77B-2400		ComerL	ComerT	Comer+
Total load wattage		36W	48W	45W	60W	54W	65W	36W *2	48W *2	L 13W	19W	28W
Output	Rated output current	900mA	1200mA	1100mA	1400mA	1300mA	1600mA	900mA*2	1200mA*2	300mA	450mA	700mA
	Output Voltage range	DC3-42V	DC3-41.5V	DC3-42V		DC3-37.5V		DC 3-42V		DC9-45V		
	Line Regulation	±5%										
	Setup, Rise Time	≤0.5S/AC230V										
	Flickering Index	5%										
Input	Rated Input Voltage(V)	AC200-240V										
	Input Voltage	AC180-264V										
	Frequency	50/60Hz										
	Rated Input Current	≤0.2A	≤0.27A	≤0.25A	≤0.34A	≤0.25A	≤0.37A	≤0.4A	≤0.54A	≤0.07A	≤0.1A	≤0.14A
	Input Current	≤0.23A	≤0.3A	≤0.28A	≤0.38A	≤0.34A	≤0.41A	≤0.45A	≤0.6A	≤0.09A	≤0.12A	≤0.15A
	Power Factor	0.9										
	THD	<20% @ 230VAC										
	Efficiency	86%										
No load wattage	<0.5W											
Protection	Short circuit protection	Pass										
	Over voltage protection	Pass										
	Over temperature protection	Pass										
Safety & EMC	Withstand voltage	I/P-O/P:3750VAC,I/P-FG:1750VAC,O/P-FG:500VAC										
	Isolation Resistance	I/P-O/P: 500VDC, ≥100MΩ										
	Surge	IEC/EN61000-4-5 (L-N:1KV, L/N-PE:2KV)										
	EMC Emission	IEC/EN55015, IEC/EN61000-3-2										
	EMC Immunity	IEC/EN61000-4-2,3,4,5,6,8,11; IEC/EN61547										

## Driver Datasheet(1-10V-Dimmable )

Code		DB77B-1200		DB77B-1500		DB77B-1800		DB77B-2400	
Total load wattage		36W	48W	45W	60W	54W	65W	36W *2	48W *2
Output	Rated output current	900mA	1200mA	1100mA	1400mA	1300mA	1600mA	900mA*2	1200mA*2
	Output Voltage range	DC 3-42V	DC 3-41.5V	DC 3-42V		DC 3-37.5V		DC 3-42V	
	Line Regulation	±5%							
	Setup, Rise Time	≤0.5S/230VAC							
	Flickering Index	5%							
Input	Rated Input Voltage(V)	AC200-240V							
	Input Voltage	AC180-264V							
	Frequency	50/60Hz							
	Rated Input Current	≤0.2A	≤0.27A	≤0.25A	≤0.34A	≤0.25A	≤0.37A	≤0.4A	≤0.54A
	Input Current	≤0.23A	≤0.3A	≤0.28A	≤0.38A	≤0.34A	≤0.41A	≤0.45A	≤0.6A
	Power Factor	0.9							
	THD	<20% @ 230VAC							
	Efficiency	86%							
No load wattage	<0.5W								
Protection	Short circuit protection	Pass							
	Over voltage protection	Pass							
	Over temperature protection	Pass							
Safety & EMC	Withstand voltage	I/P-O/P:3750VAC,I/P-FG:1750VAC,O/P-FG:500VAC							
	Isolation Resistance	I/P-O/P: 500VDC, ≥100MΩ							
	Surge	IEC/EN61000-4-5 (L-N:1KV, L/N-PE:2KV)							
	EMC Emission	IEC/EN55015, IEC/EN61000-3-2							
	EMC Immunity	IEC/EN61000-4-2,3,4,5,6,8,11; IEC/EN61547							

## Installation Procedure

### WARNING

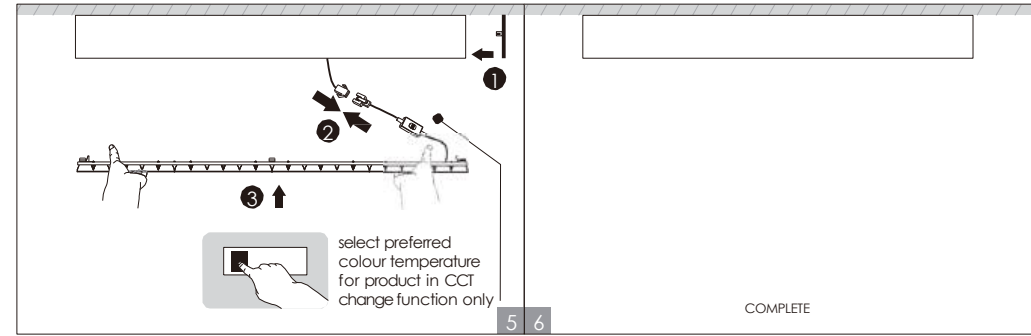
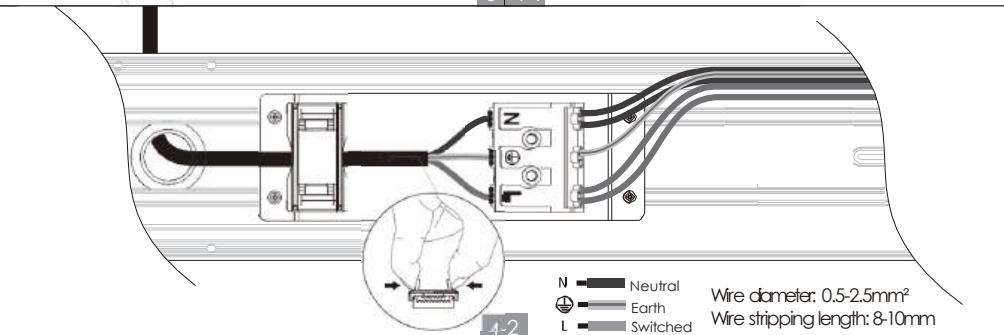
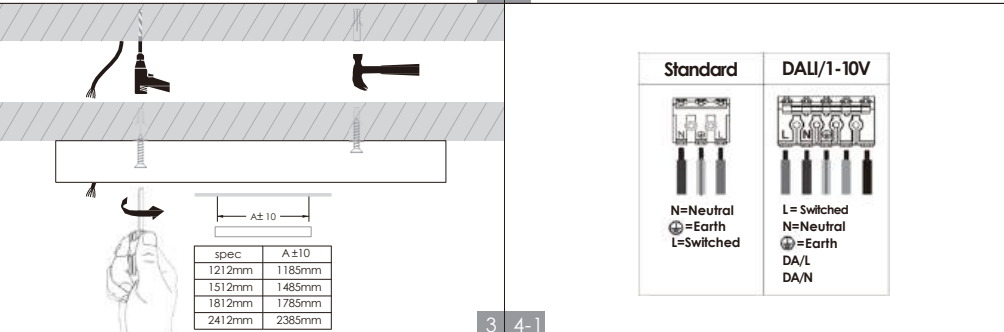
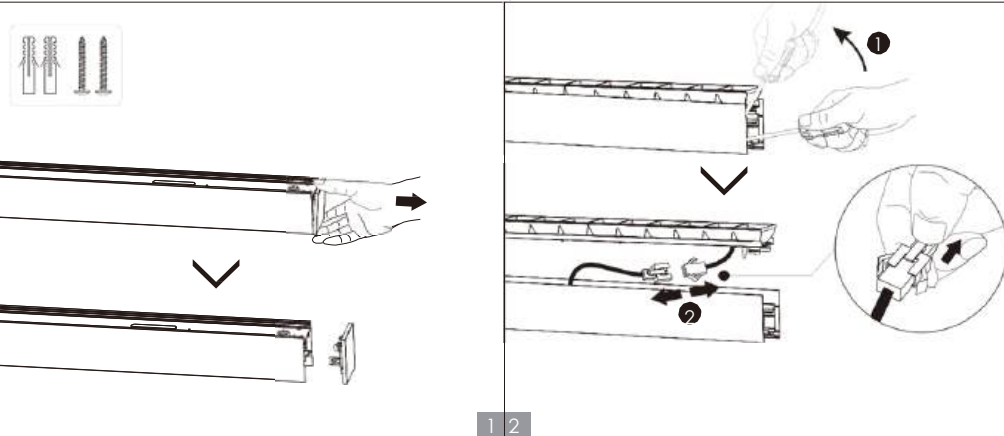
1. Switch off before installation.
2. Switch on only after complete installation and examination of the circuit.
3. Professional electrician for installation and maintenance only.



Turn Off  
Power Supply

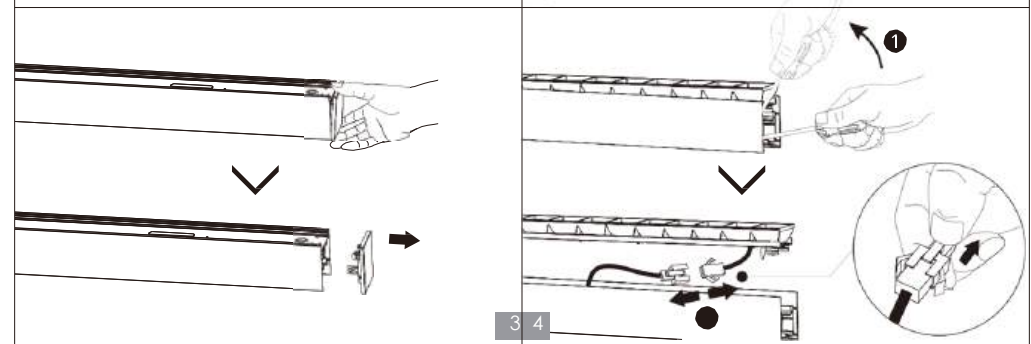
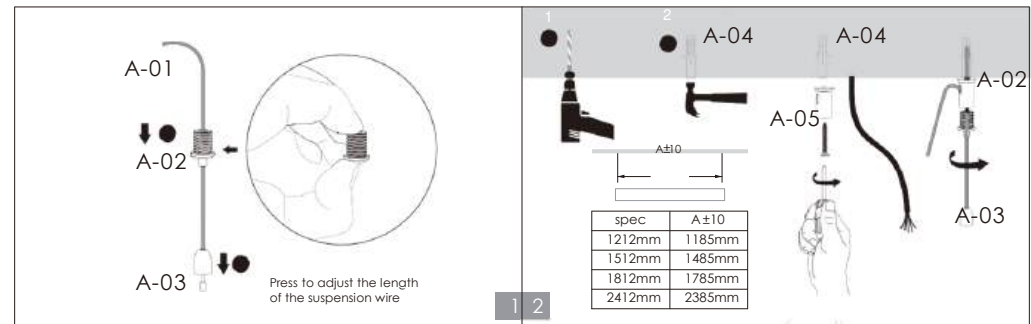
Turn Off power supply before starting any installation. Read instructions & check you have all the tools & accessories to complete the installation correctly.

## Surface mount installation

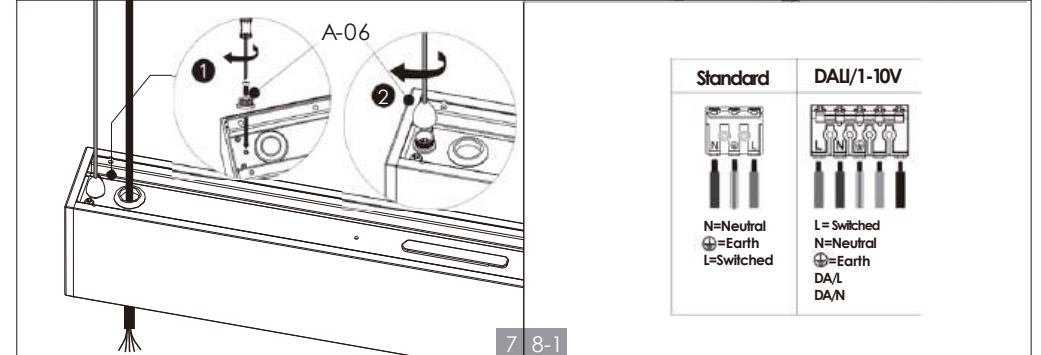
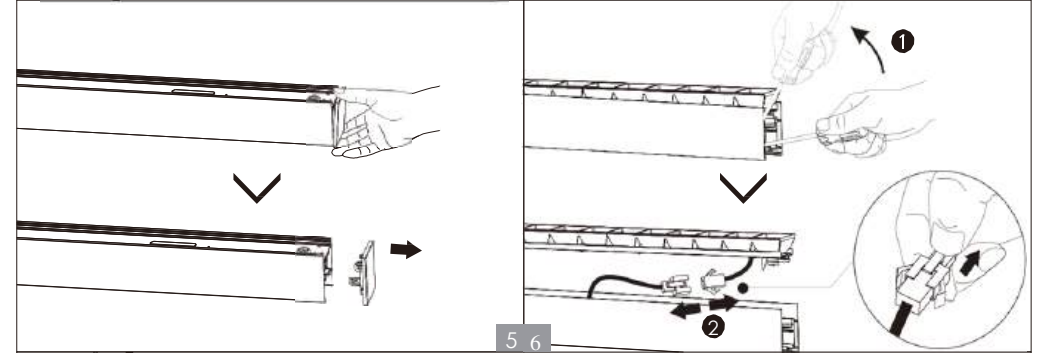
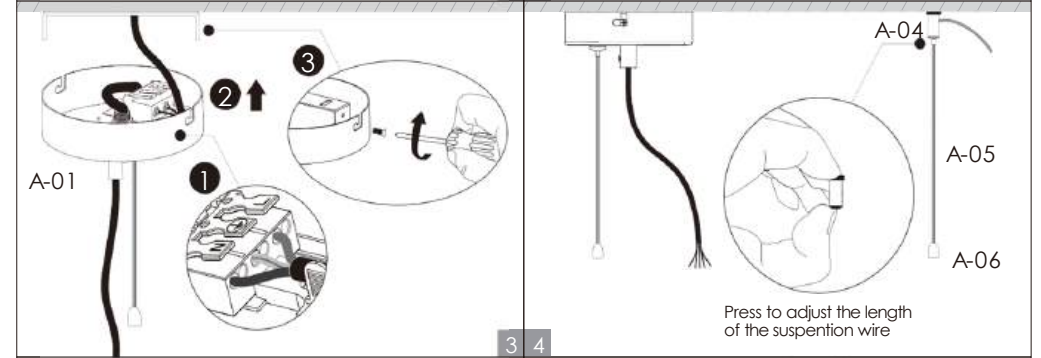
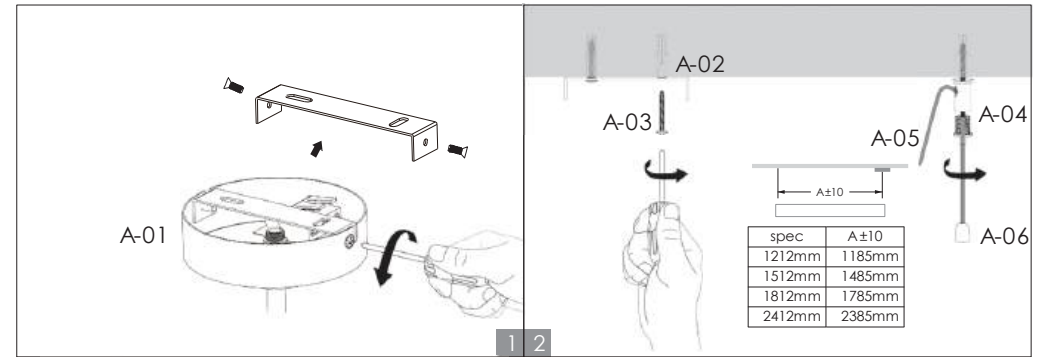
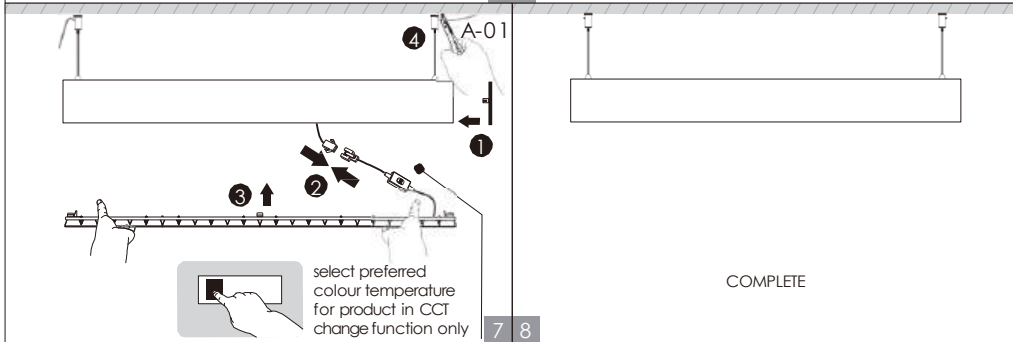
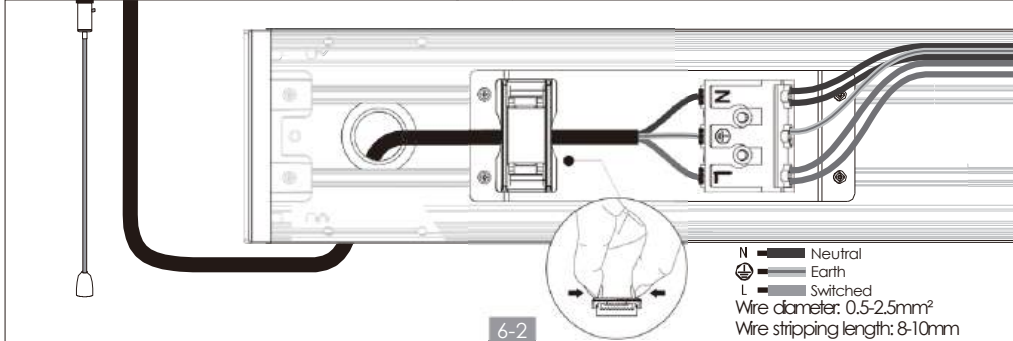
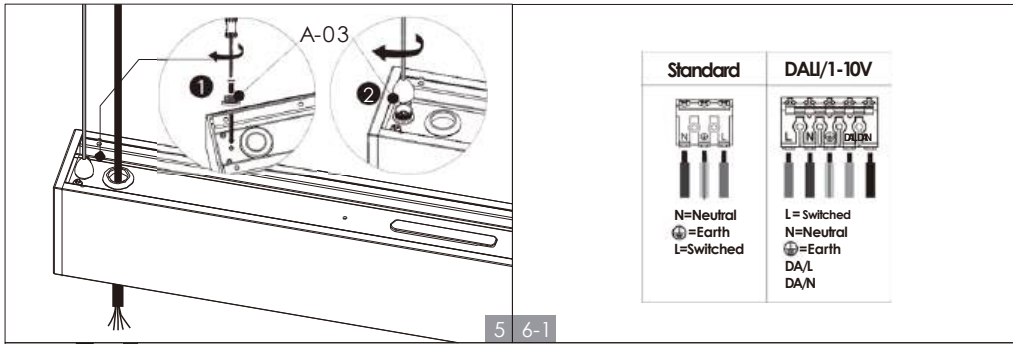


## Pendant installation (Without round ceiling plate)

Code	A-01	A-02	A-03	A-04	A-05
ACC	x2	x2	x2	x2	x2

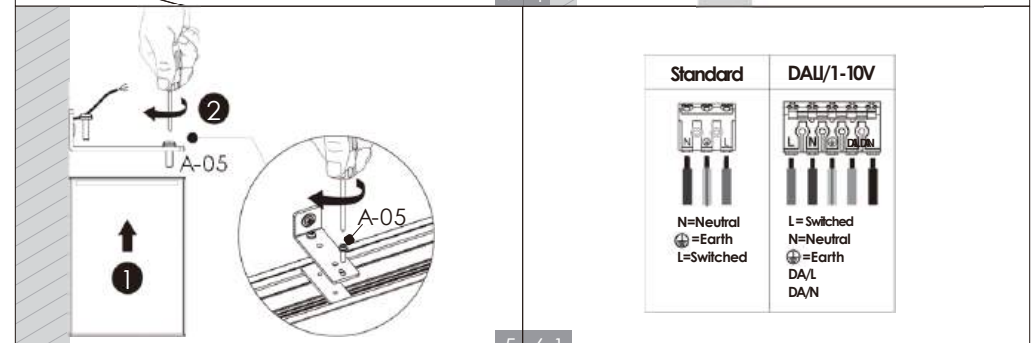
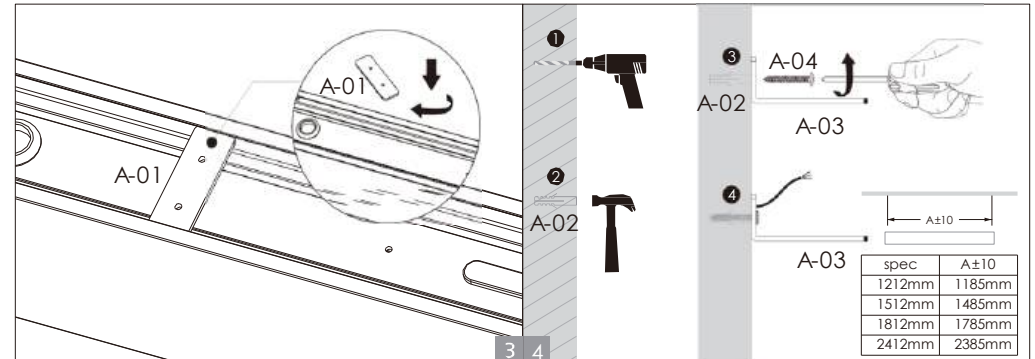
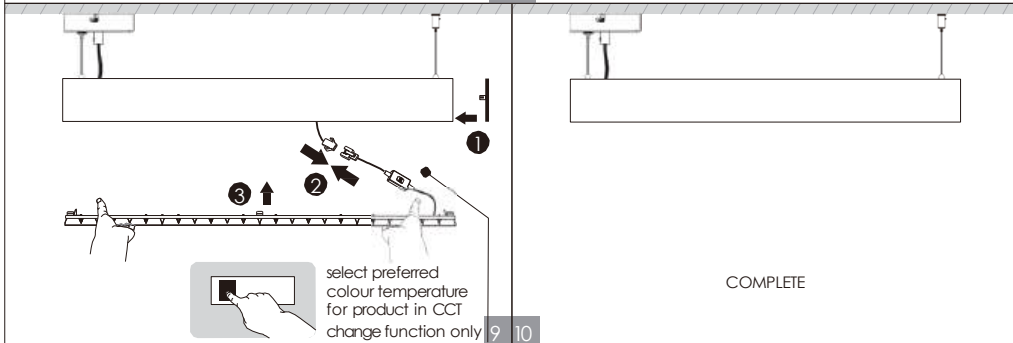
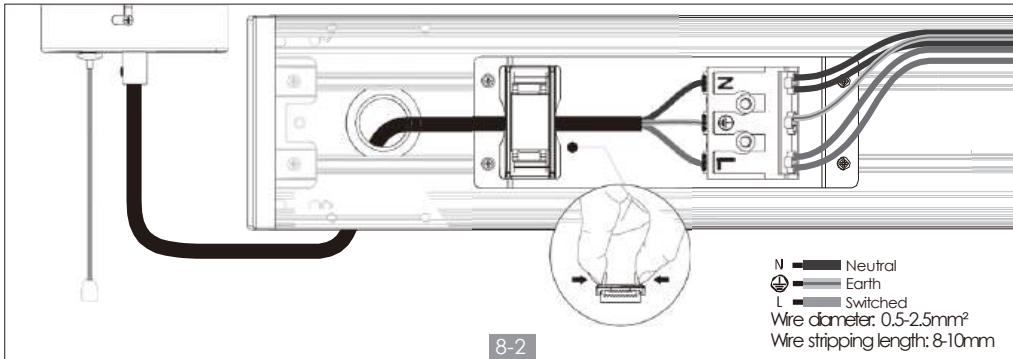






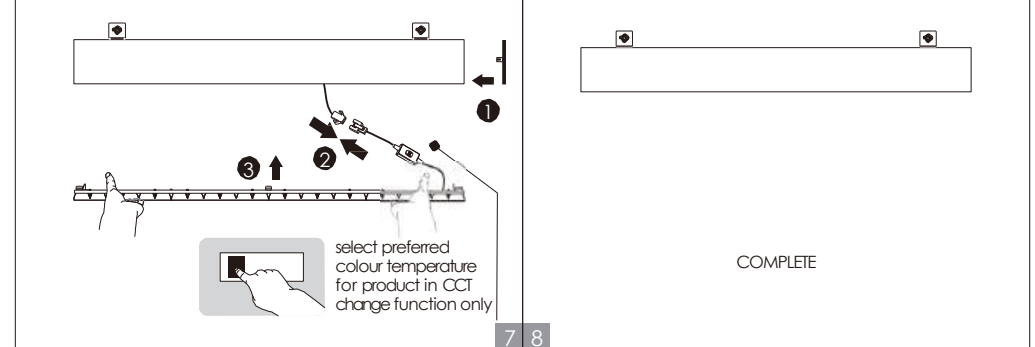
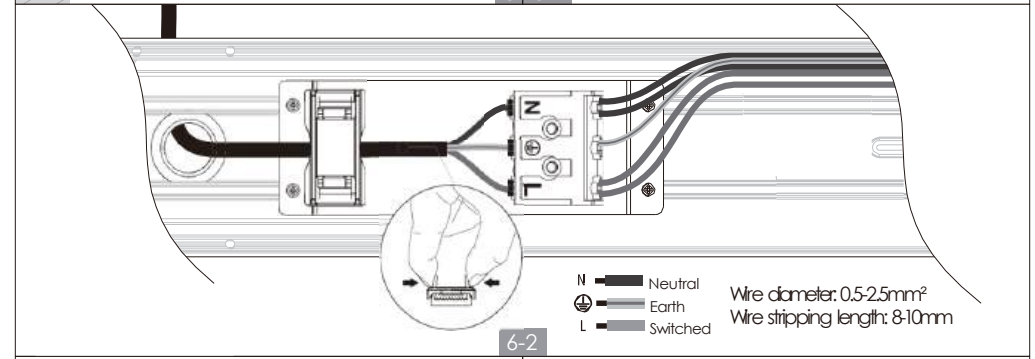
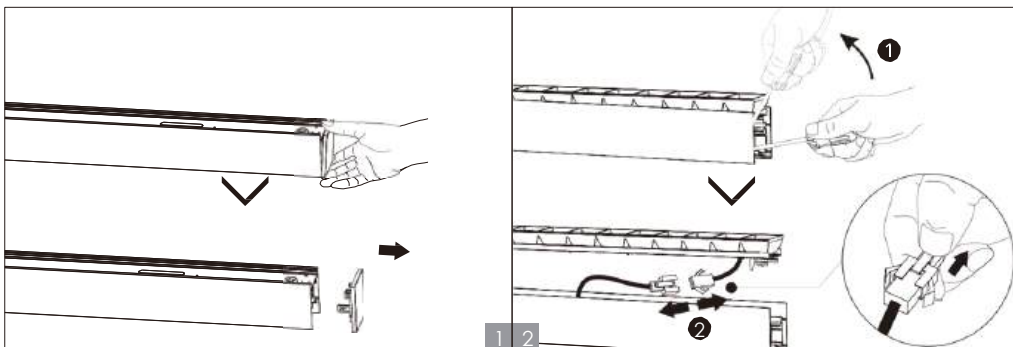
### ■ Pendant installation (With round ceiling plate)

Code	A-01	A-02	A-03	A-04	A-05	A-06
ACC	x1	x3	x3	x1	x2	x2







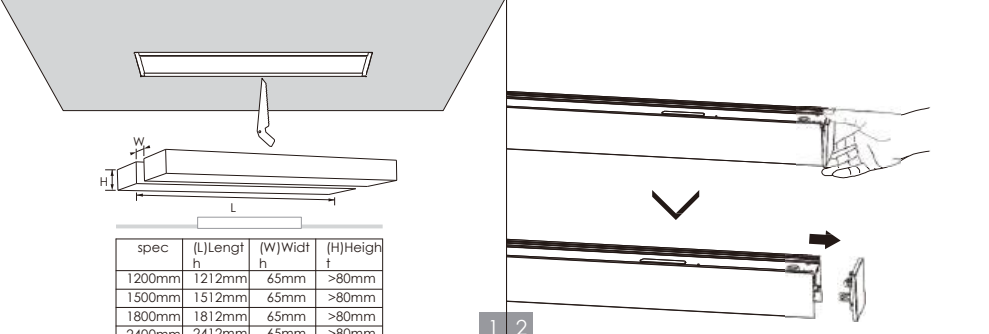
### Wall mount installation

Code	A-01	A-02	A-03	A-04	A-05
ACC	x2	x2	x2	x2	x4

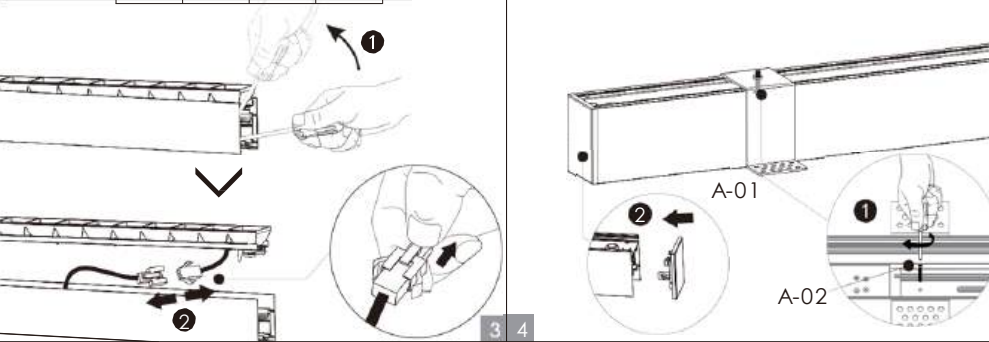
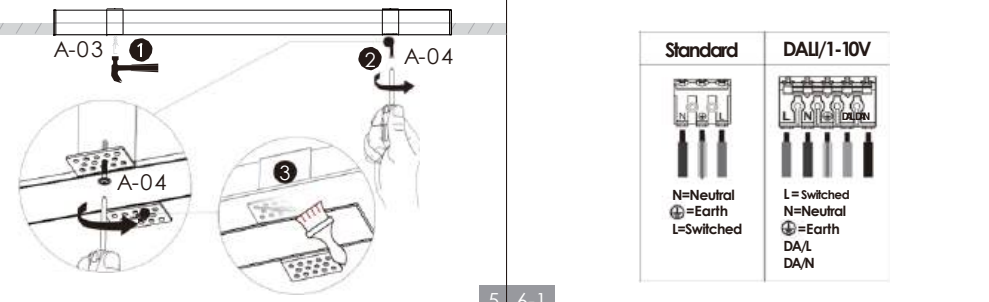


### ■ Recessed installation (in front of the ceiling)

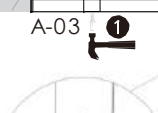
Code	A-01 	A-02 	A-03 	A-04 
ACC	x2	x2	x4	x4



spec	(L)Length h	(W)Widht h	(H)Heigh t
1200mm	1212mm	65mm	>80mm
1500mm	1512mm	65mm	>80mm
1800mm	1812mm	65mm	>80mm
2400mm	2412mm	65mm	>80mm





A-03



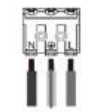
1

A-04




2

Standard

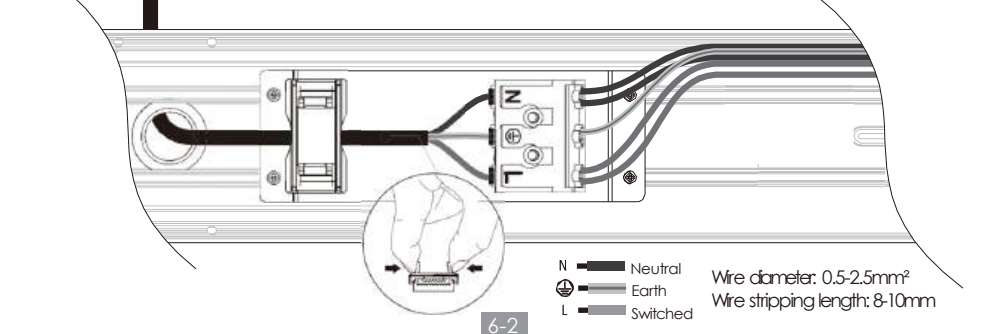


N=Neutral  
⊕=Earth  
L=Switched

DAU/1-10V

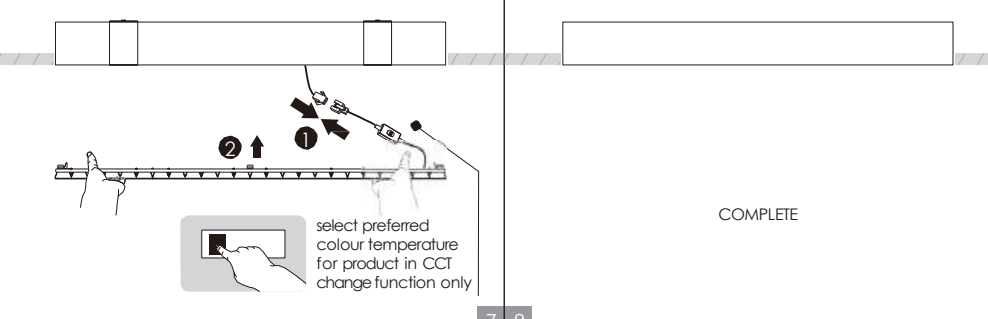


L= Switched  
N=Neutral  
⊕=Earth  
DA/L  
DA/N



N — Neutral  
 ⊕ — Earth  
 L — Switched





Wire diameter: 0.5-2.5mm<sup>2</sup>  
Wire stripping length: 8-10mm

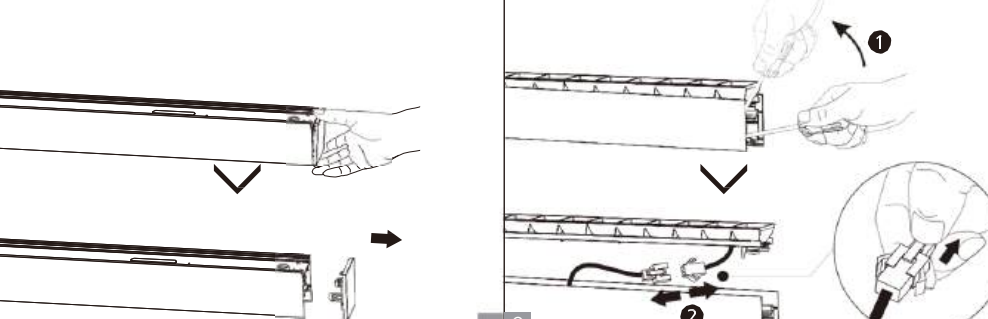
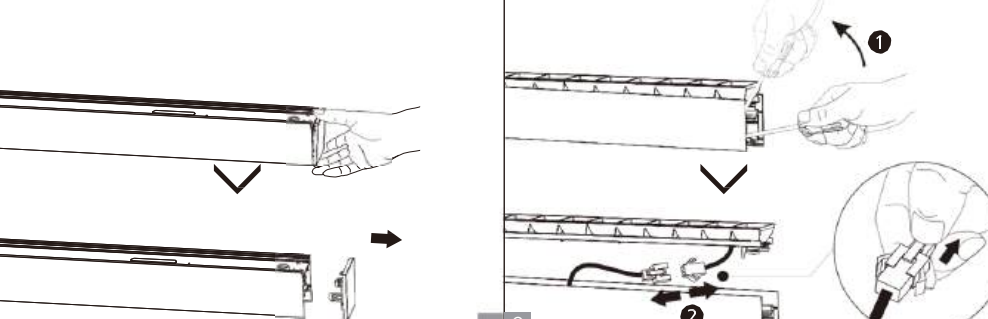


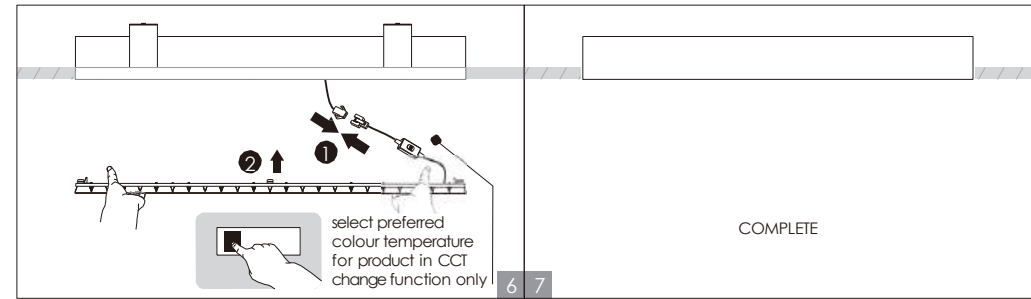
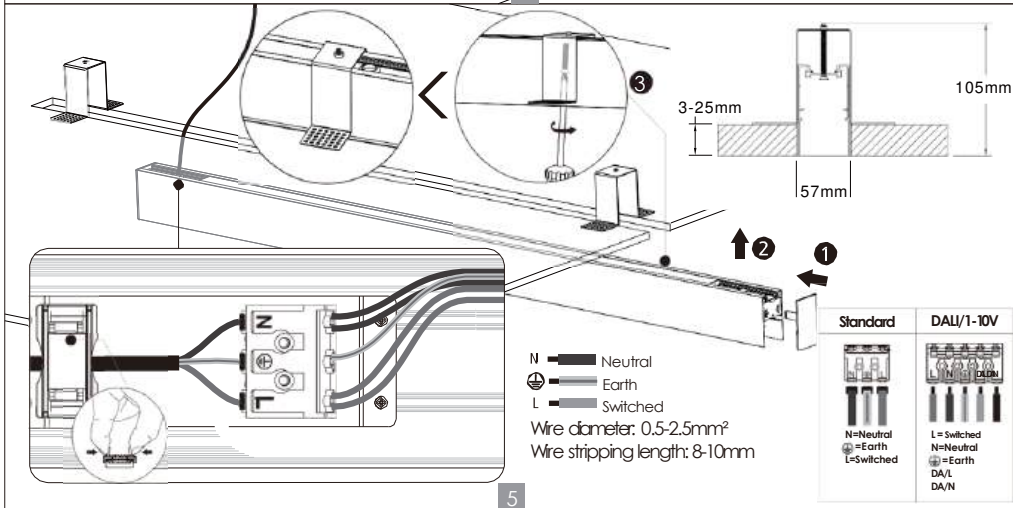
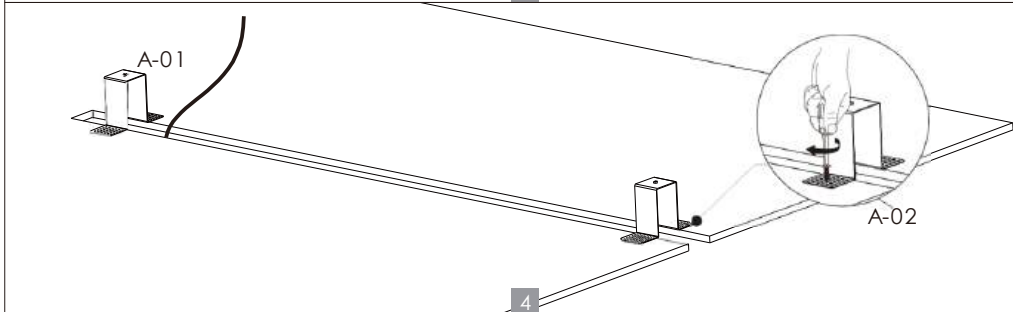
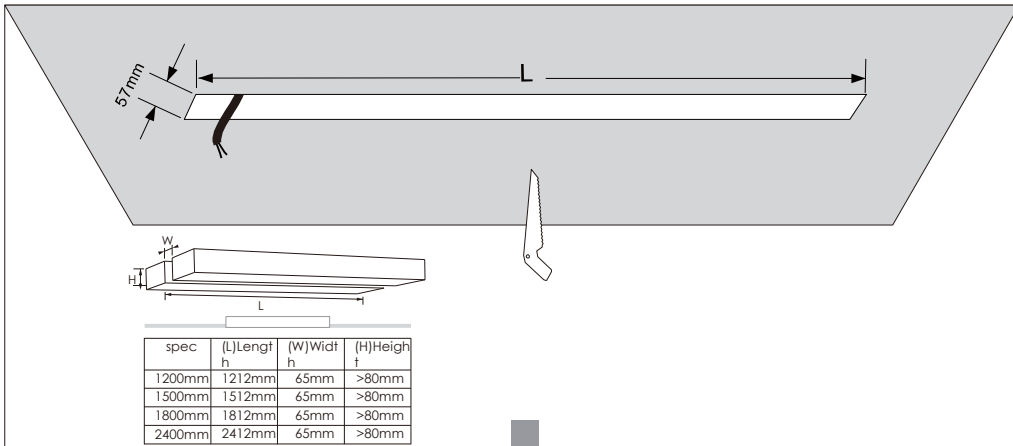
select preferred colour temperature for product in CCT change function only

COMPLETE

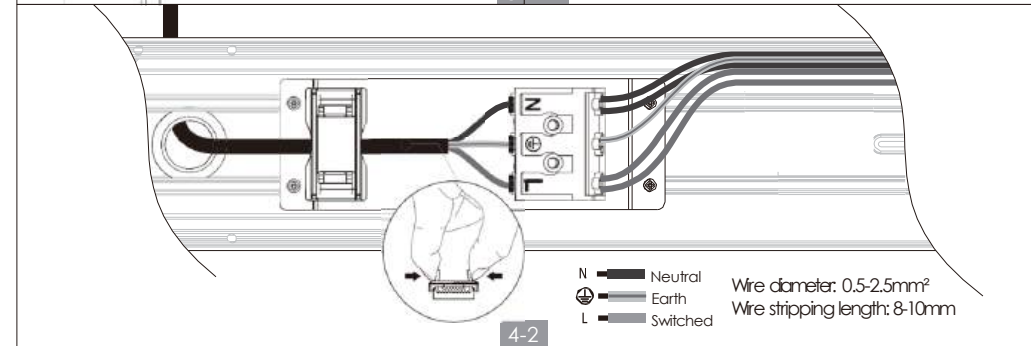
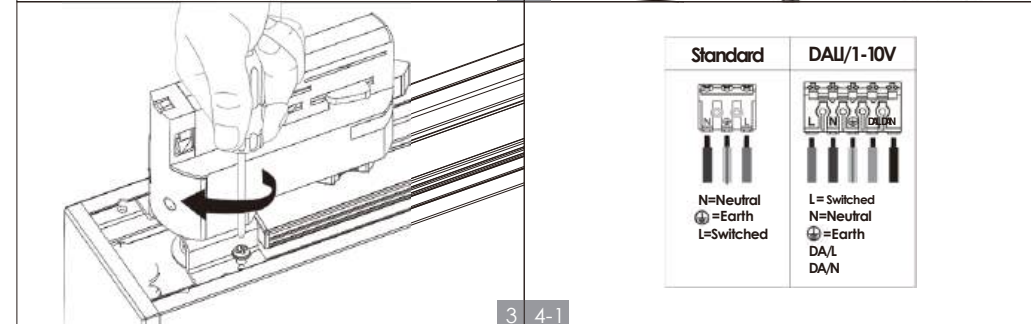
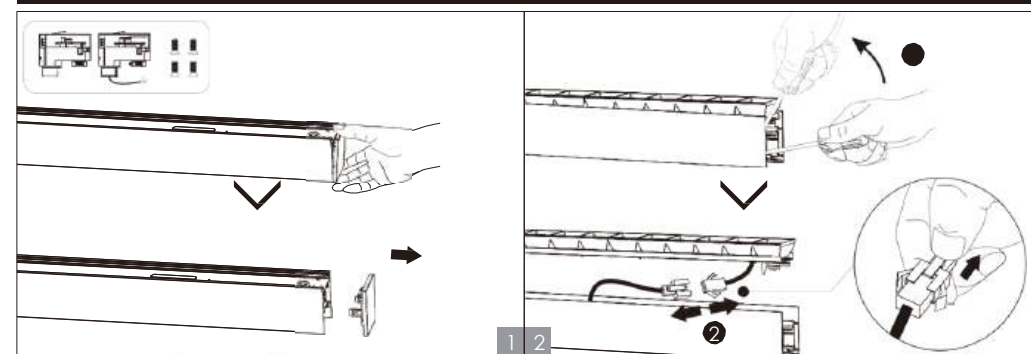
### ■ Recessed installation (on the back of the ceiling)

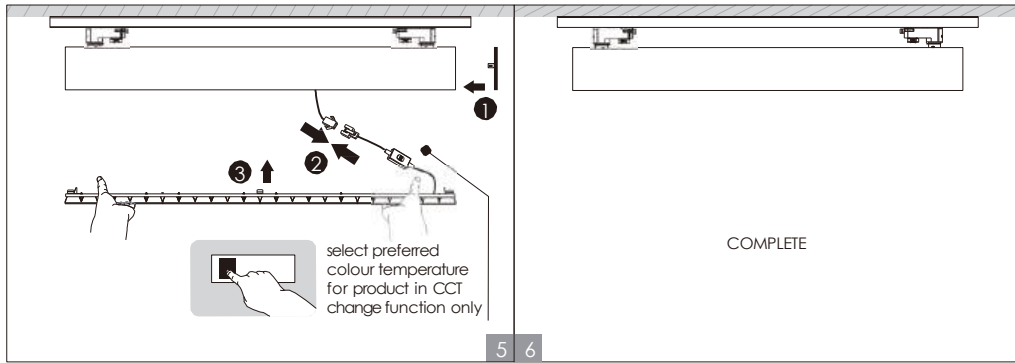
Code	A-01 	A-02 	A-03 	A-04 
ACC	x2	x4	x2	x4

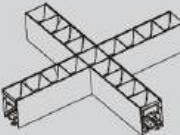
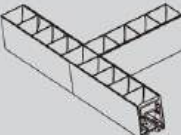
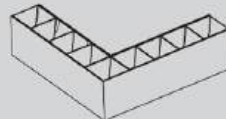
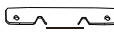




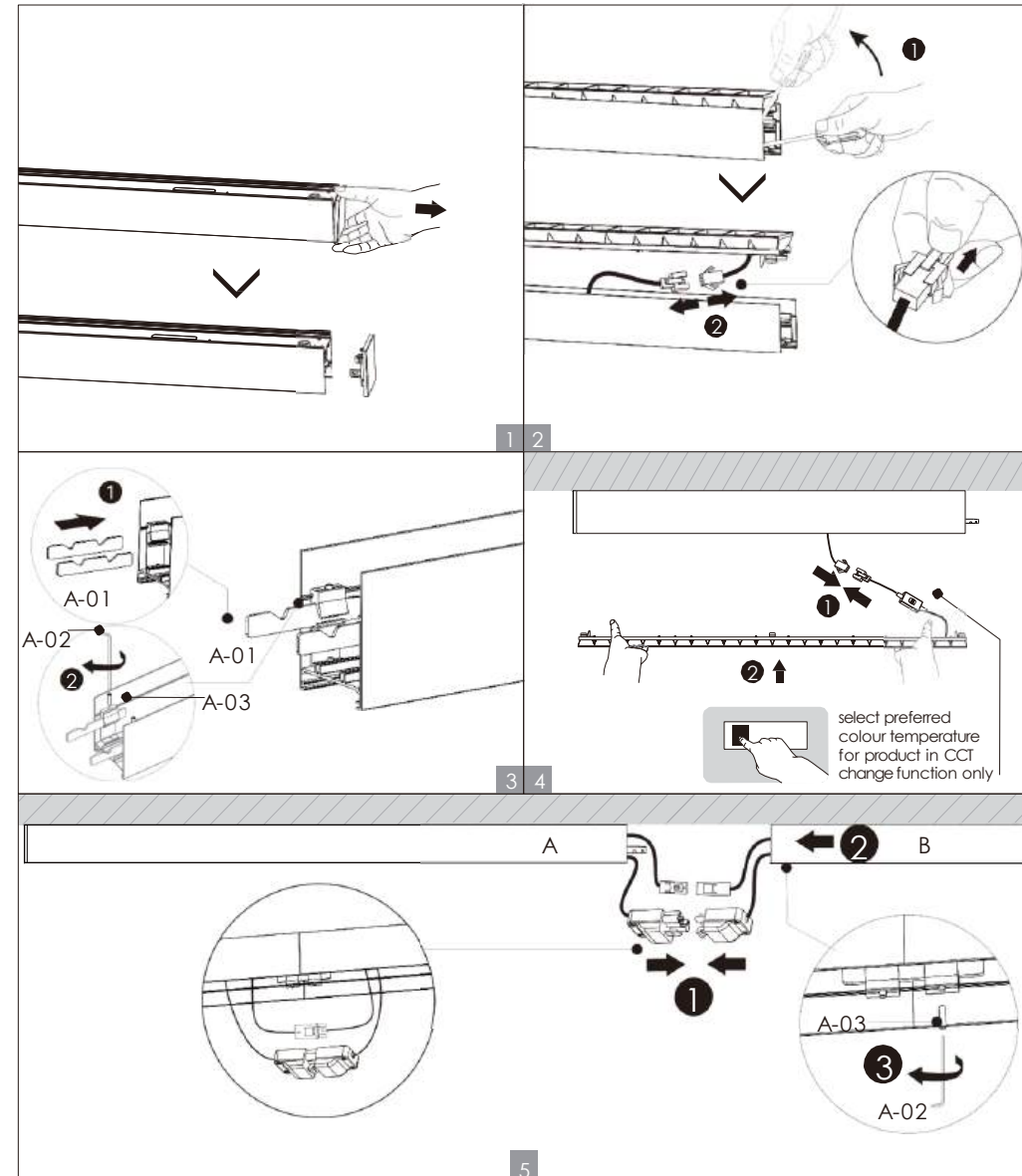
### Track installation

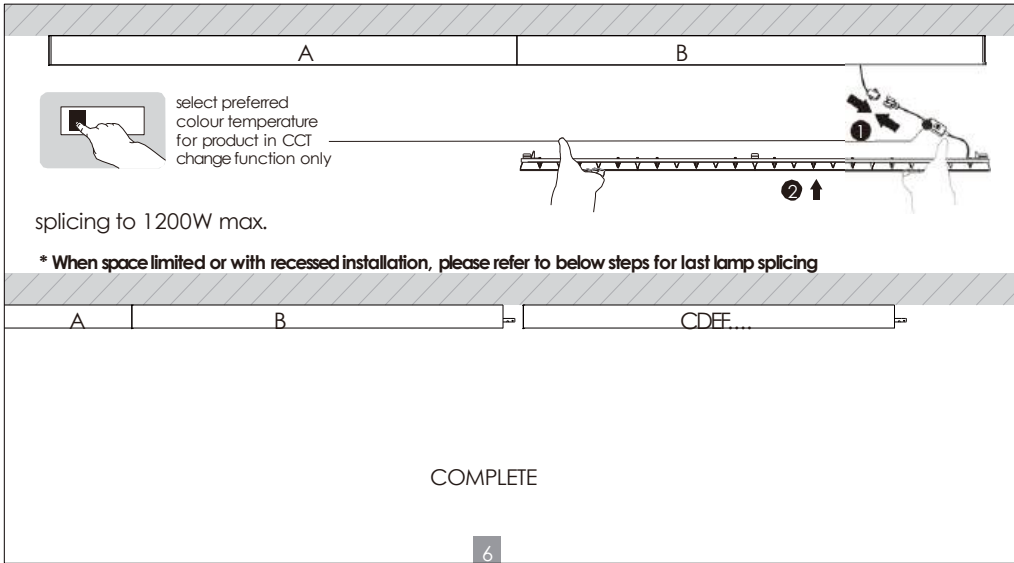




**■ Surface mount splicing installation(Straight"-")**

Cutout (mm)				
Dimension with end cap(mm)	1212	1512	1812	2412
Dimension without end cap(mm)	1200	1500	1800	2400
Cutout(mm) for single lamp	L1214*W63	L1514*W63	L1814*W63	L2414*W63
Cutout(mm) straight splicing	Dimension without end cap*N+15 (N=connection quantity) (for example cutout for 2pcs 1200mm lamp splicing: 1200*2+15=2415mm)			
Cutout (mm) for X,T,L accessories	X-shape	T-shape	L-shape (positive angle)	
				
	L455*W455	L455*W257	L257*W257	
Remark	For the combination of +, T, L splicing, please open the hole according to the above data			
Code	A-01 	A-02 	A-03 	
ACC	x2	x1	x4	



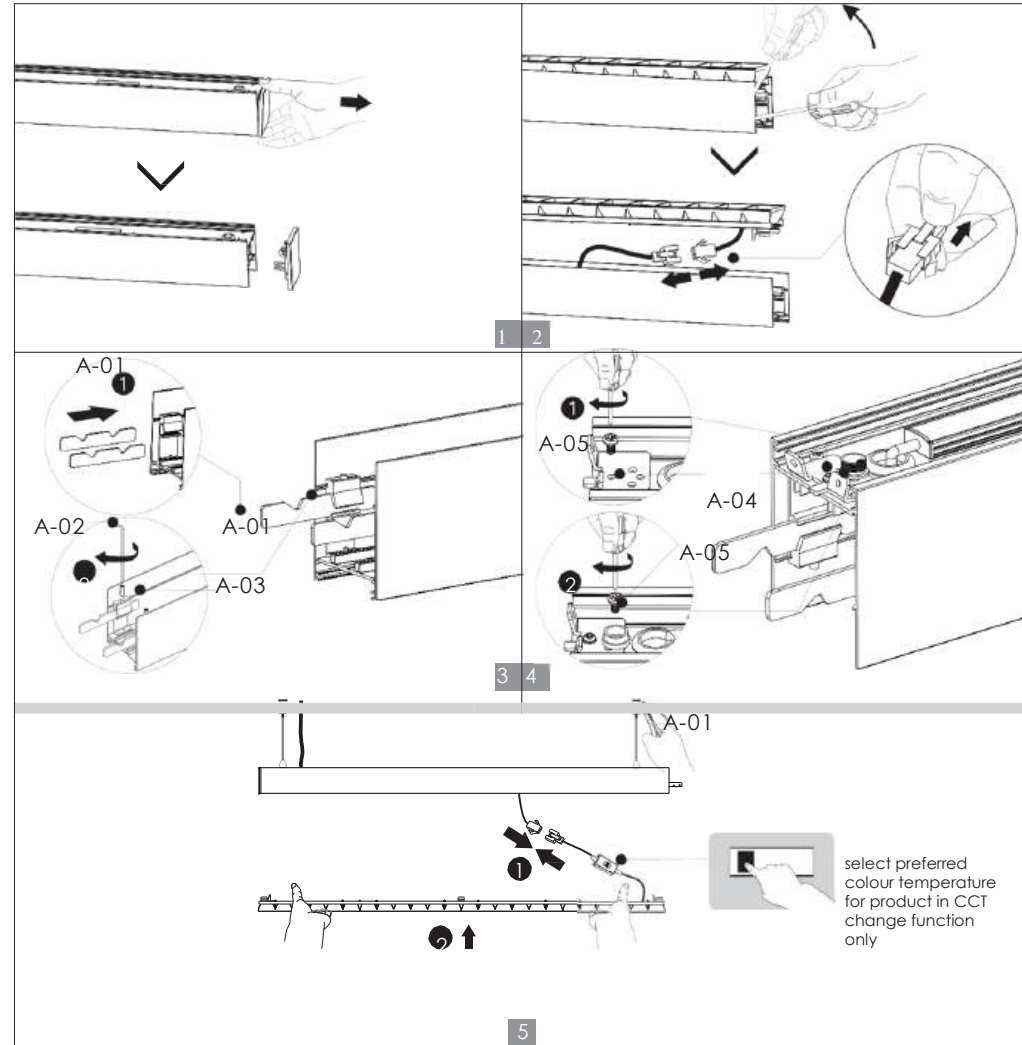


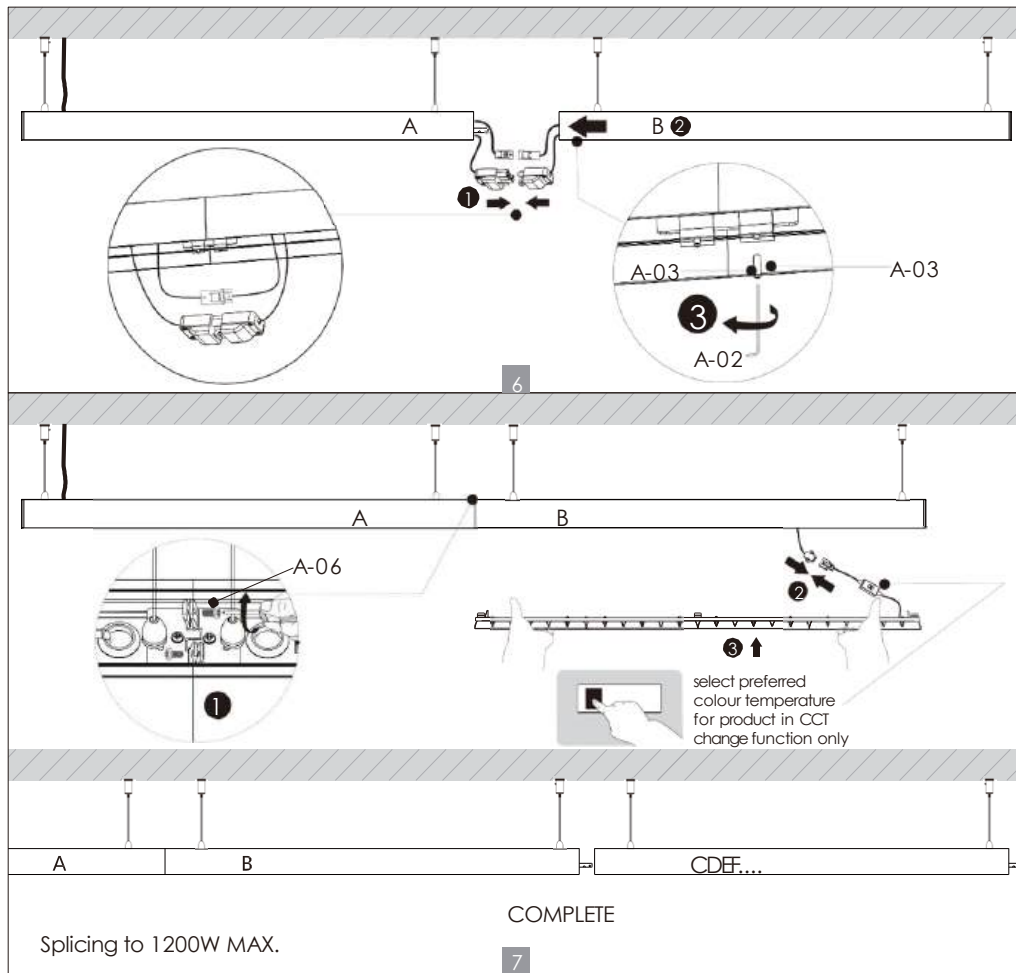
### pendant splicing installation("Straight"-)

\* The steps also applicable to track splicing

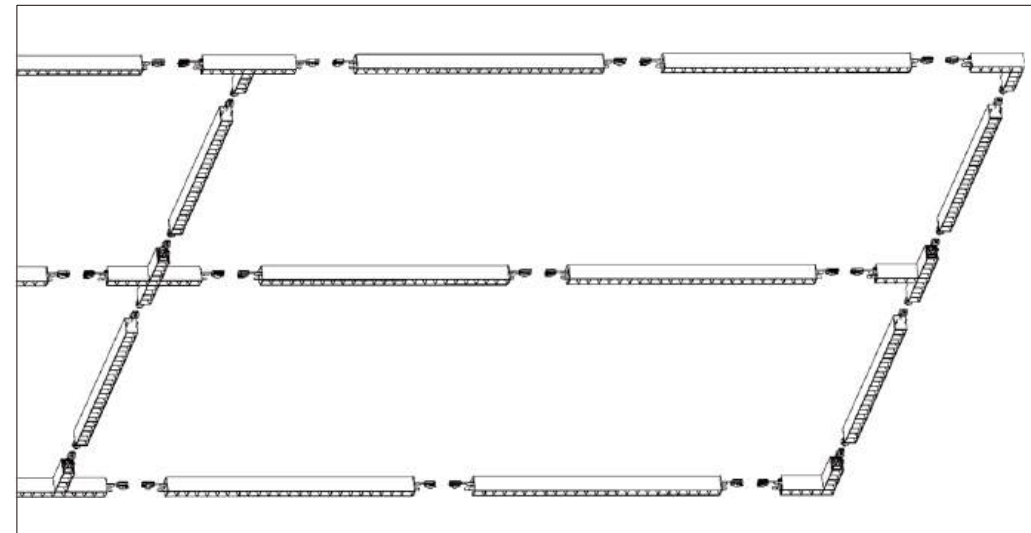
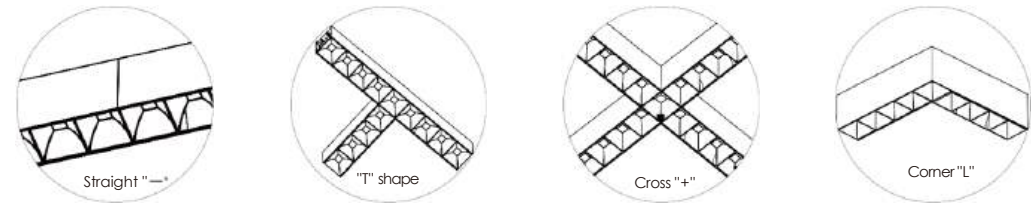
\* The steps also applicable to "L"/"T"/"++"/ shape connector splicing

Code	A-01	A-02	A-03	A-04	A-05	A-06
ACC	x2	x1	x4	x2	x4	x2





### Multi-connection Installation





**RL Europe**  
Your partner in LED

[www.rleurope.ch](http://www.rleurope.ch)

[info@rleurope.ch](mailto:info@rleurope.ch)

TEL: +41 (0)91 6832255

Add: via E. Bossi 12/B, CH-6830 Chiasso (TI)