

Entry / ECO

Standard / STD

Professional / PRO

ODM & OEM

Intelligent / INT

**STD**  
Specifications



LED Track Light  
TL121 Series

 **RL Europe**  
Your partner in LED



## Introduction

This is a wall washing track light that utilizes a polarized reflector to effectively avoid seeing the light source directly, thereby reducing external perception of the luminous area. Despite its compact size, it can provide a wide coverage with uniform light output and an extensive lighting area. With 24° vertical rotation and 355° horizontal rotation, it can easily adapt to various shelf heights and orientations. Besides, this track light is available for with triac dim and DALI dim which is an ideal lighting choice for shopping malls, museums, retail store etc.

## Feature

- Polarized reflector to avoid seeing the light source directly
- Uniform light output and wide lighting range
- High lumen efficiency, 110lm/W
- Aluminium housing for great thermal management
- Dimming way: Triac, DALI
- Flicker free driver

## Application Areas

It is suitable for supermarkets, retail store, shelves, museums, corridors etc.



## Wall washing effect comparison

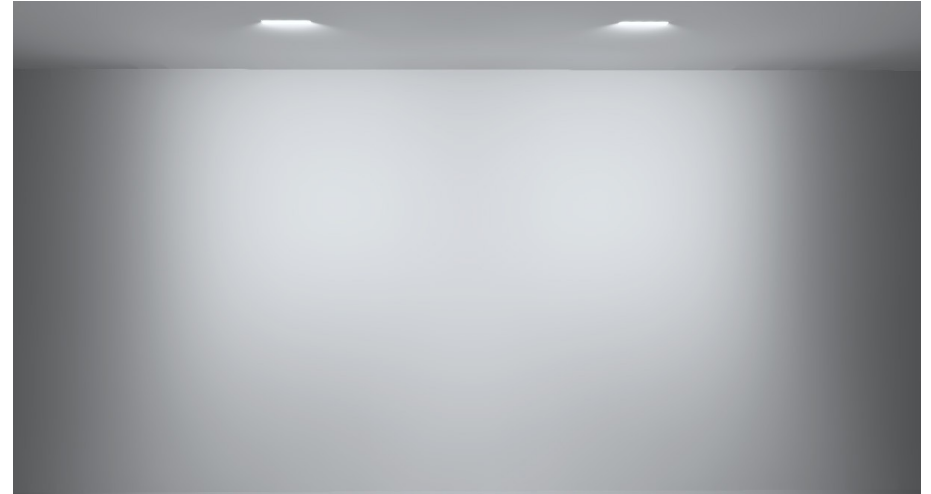


TL121 series

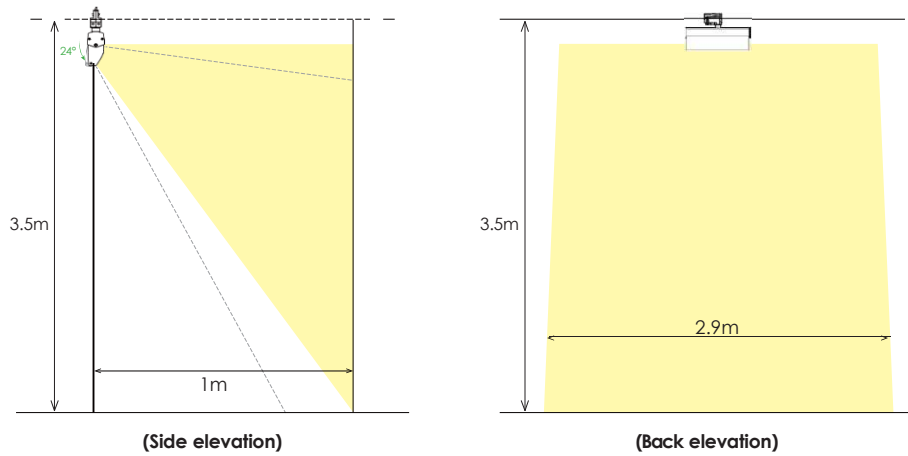
Linear Light @1200mm asymmetric 30°

## Lighting distribution

The high performance of this product ensures a uniform level of illumination over the entire horizontal surface.



## Layout guide



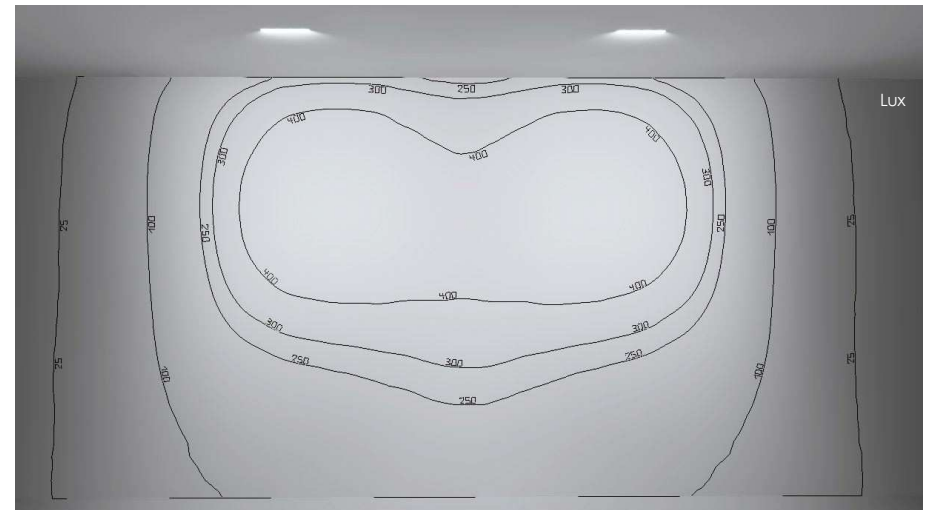
(Side elevation)

(Back elevation)

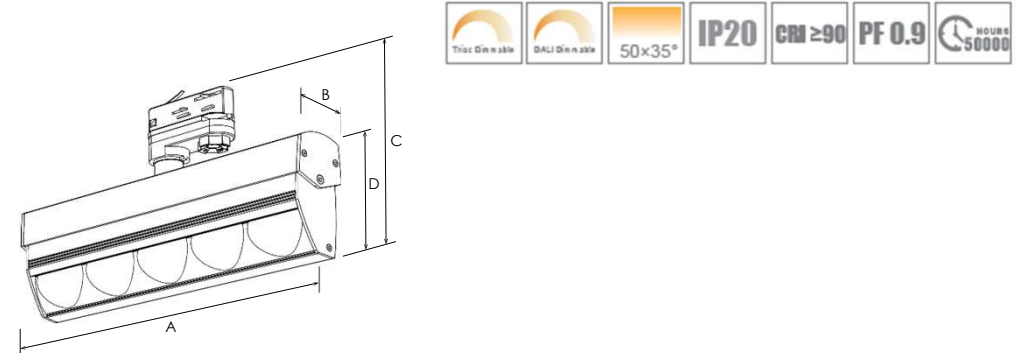
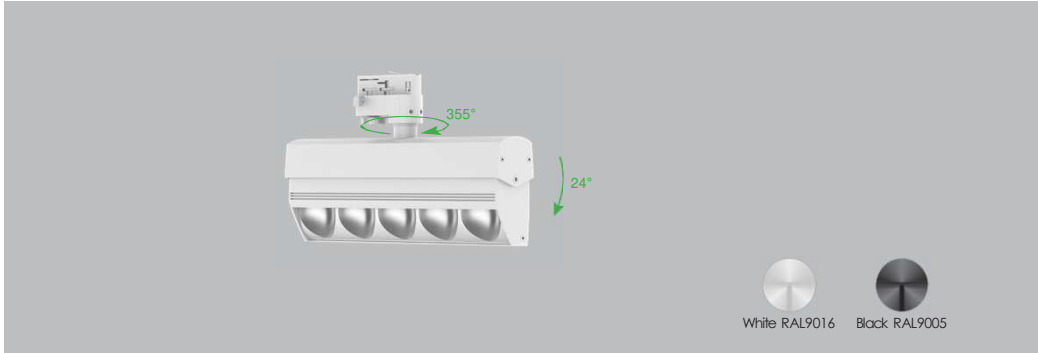
**TL121 series schematic light drawing**

Results may vary depending on surface properties, ambient light levels, etc.

Lux values refer to TL121-40W versions installed at a height of 3.5 m from the ground.



2.2m



## Technical Data Sheet

Code		TL121-35W	TL121-40W	
Dimension(mm)		313*53*180		
Cutout (mm)		-		
Watt(W)		35W	40W	
Rated Input Voltage(V)		AC220-240V		
Input Voltage(V)		AC198-264V		
LED Module Input		33V-38V		
Light Source		COB		
SDCM		<5		
CCT(K)		COB 1-CCT: 2700K/3000K/4000K/5000K		
CCT Selection DIP Switch		NO		
Luminous Flux (lm) ±5% CRI90	1-CCT	Non-DIM	3450-3650	4050-4400
		DIM	3400-3600	3850-4100
	3-CCT	Non-DIM	-	-
		DIM	-	-
Black color decrease 10% lumen				
CRI		90		
Beam Angle (°)		Asymmetric 50*35°		
UGR		-		
LED Driver		Driver built-in		
Dimming Option		Triac / DALI		
Sensor		NO		
Emergency Kits		NO		
Electrical Class		Class I		
Ingress Protection(IP Rating)		IP20		
Impact Resistance(IK Rating)		-		
Product Finishing		White RAL9016; Black RAL9005		
Optics Material		PC		
Housing Material		Aluminium		
Lifetime (hr)		50,000h		
Glow wire test (°C)		750°C		
Operating Temp.(°C)		40°C		
Storage Temp.(°C)		-20°C~65°C		
Installation		Track		

## Measurement

Code	Dimension(mm)				Size(mm)	Product Weight (Kg) Package weight (Kg)				Carton Size(cm)	Qty/CTN	20GP (pcs)	40HQ (pcs)
	A	B	C	D		N.W/PC	G.W/PC	N.W/CTN	G.W/CTN				
TL121	313	53	180	110	313*53*180	1.20	1.50	7.20	9.63	43.5*34.5*24.5	6	4536	10200

## Driver Datasheet (Non-Dimmable)

		Total load wattage	35W	40W
Output	Output Voltage range	DC33-42V		
	Rated output current	900mA		1050mA
	Line Regulation	±5%		
	Setup Rise Time	≤0.5S@230V		
	Flickering Index	≤3%(NO RISK)		
Input	Rated Input Voltage(V)	AC220-240V		
	Input Voltage	AC198-264V		
	Frequency	50/60Hz		
	Rated Input Current	≤0.18	≤0.20	
	Input Current	≤0.20	≤0.22	
	Power Factor	0.9		
	THD	≤20%		
	Efficiency	≥87%		
	No load wattage	≤0.5W @230V		
Protection	Short circuit protection	PASS		
	Over voltage protection	PASS		
	Over temperature protection	PASS		
Safety & EMC	Withstand voltage	I/P-FG:1.5KVac,<5mA 60S		
	Isolation Resistance	500VDC, ≥2M Ω		
	Surge	IEC/EN61000-4-5 (P≥25W L-N:1KV, L/N-PE:2KV)		
	EMC Emission	EN55015, EN61000-3-2		
	EMC Immunity	EN61000-4-2,3,4,5,6,8,11; EN61547		

## Driver Datasheet (Triac Dimmable)

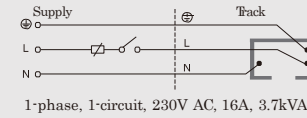
Total load wattage		35W	40W	
Output	Output Voltage range	DC28-40V		
	Rated output current	900mA	1000mA	
	Line Regulation	±5%		
	Setup Rise Time	≤500ms@230V		
	Flickering Index	5%(LOW RISK)		
	Rated Input Voltage(V)	AC220-240V		
Input	Input Voltage	AC198-264V		
	Frequency	50Hz		
	Rated Input Current	≤0.20	≤0.22	
	Input Current	≤0.22	≤0.24	
	Power Factor	0.9		
	THD	<20% @230V		
	Efficiency	≥84%		
	No load wattage	<1W @230V		
	Protection	Short circuit protection	PASS	
		Over voltage protection	PASS	
Over temperature protection		PASS		
Safety & EMC	Withstand voltage	I/P-FG:1.5KVac,<5mA 60S		
	Isolation Resistance	500VDC, ≥2M Ω		
	Surge	IEC/EN61000-4-5 (P≥25w L-N:1KV, L/N-PE:2KV)		
	EMC Emission	EN55015, EN61000-3-2		
	EMC Immunity	EN61000-4-2,3,4,5,6,8,11; EN61547		

## Driver Datasheet (DALI Dimmable)

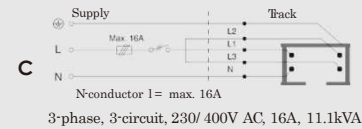
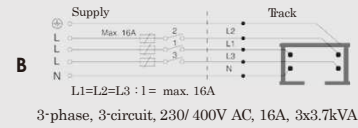
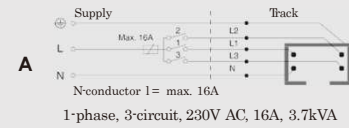
Total load wattage		35W	40W	
Output	Output Voltage range	DC25-42V		
	Rated output current	900mA	1000mA	
	Line Regulation	±5%		
	Setup Rise Time	≤1S@230V		
	Flickering Index	≤3%(NO RISK)		
	Rated Input Voltage(V)	AC220-240V		
Input	Input Voltage	AC198-264V		
	Frequency	50/60HZ		
	Rated Input Current	≤0.18	≤0.20	
	Input Current	≤0.20	≤0.22	
	Power Factor	0.9		
	THD	≤20%		
	Efficiency	≥86%		
	No load wattage	≤0.5W @230V		
	Protection	Short circuit protection	PASS	
		Over voltage protection	PASS	
Over temperature protection		PASS		
Safety & EMC	Withstand voltage	I/P-FG:1.5KVac,<5mA 60S		
	Isolation Resistance	500VDC, ≥2M Ω		
	Surge	IEC/EN61000-4-5 (P≥25w L-N:1KV, L/N-PE:2KV)		
	EMC Emission	EN55015, EN61000-3-2		
	EMC Immunity	EN61000-4-2,3,4,5,6,8,11; EN61547		

## Wiring Diagram (Please select according to the actual product)

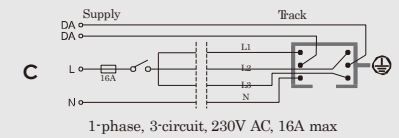
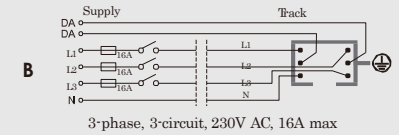
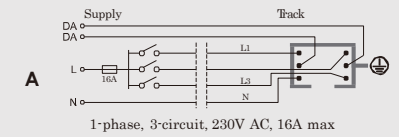
### 3-wires, 1-circuit



### 4-wires, 3-circuit

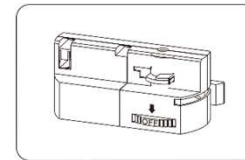


### 6-wires, 3-circuit (DALI)

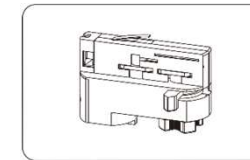


## Track installation

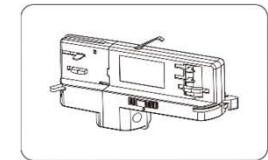
Select corresponding adapter before installation



3-wires, 1-circuit



4-wires, 3-circuit



6-wires, 3-circuit (DALI)

## Installation Procedure

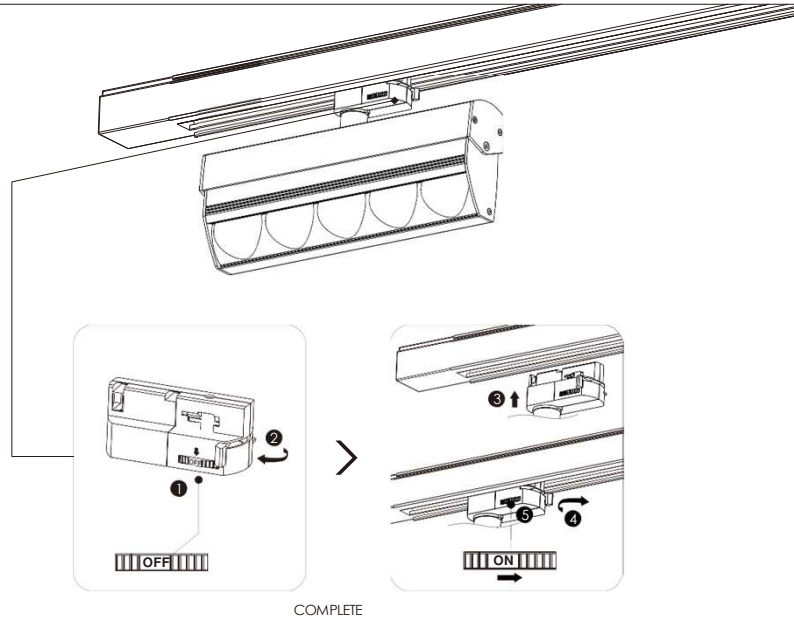
### WARNING

1. Switch off before installation.
2. Switch on only after complete installation and examination of the circuit.
3. Professional electrician for installation and maintenance only.

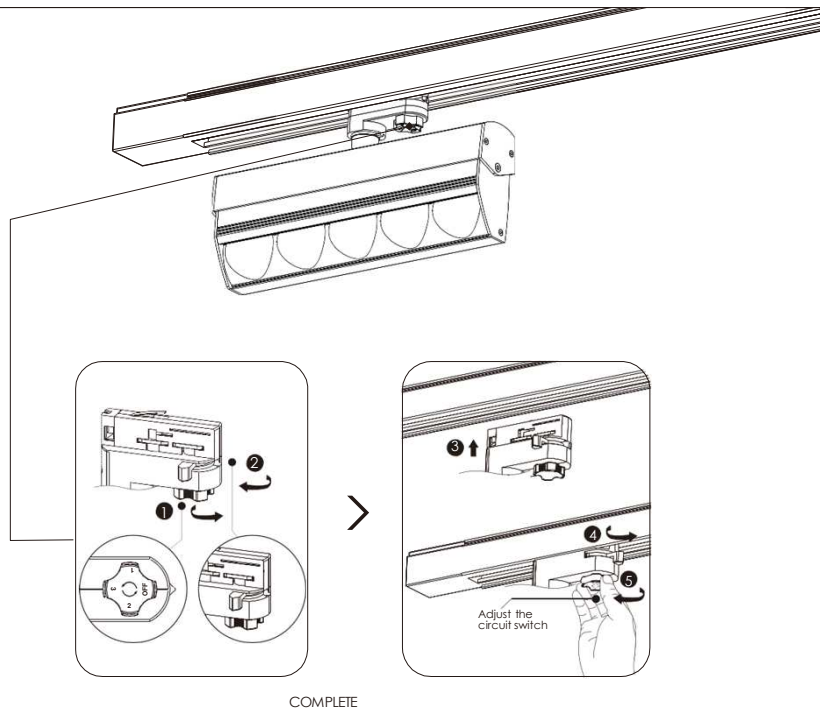


# Installation

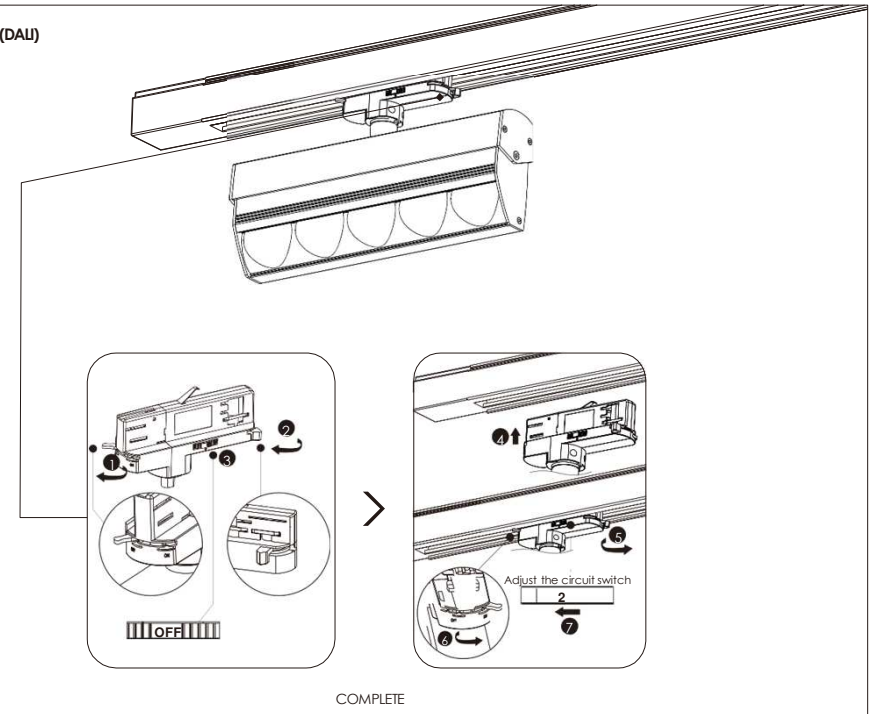
3-wires, 1-circuit



4-wires, 3-circuit



6-wires, 3-circuit (DALI)





**RL Europe**  
Your partner in LED

[www.rleurope.ch](http://www.rleurope.ch)

[info@rleurope.ch](mailto:info@rleurope.ch)

TEL: +41 (0)91 6832255

Add: via E. Bossi 12/B, CH-6830 Chiasso (TI)