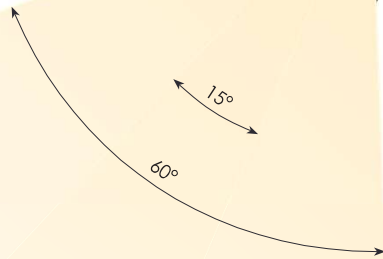


Entry / ECO Standard / STD Professional / PRO ODM & OEM Intelligent / INT



LED Track Light
TL56-B1-I03 Series





Bluetooth(Standard)

SIG Standard Protocols

It is microampere power consumption, anti-interference, high security performance. Single Bluetooth and single device cannot do networking, mobile phones must be connected to nodes to control lamps, which is suitable for low power residential lighting.





Introduction

The samrt track light adopts Casambi integrated Tridonic driver. It is an advanced lighting control solution based on Bluetooth Low Energy (BLE). The luminaire can be easily implemented in the lighting control system or existing lighting scenes. Creating an optimal solution in terms of ease of installation and functionality with minimal additional hardware and deployment costs.

TL56 led track light is Casambi bluetooth smart control. It has a simple and elegant design with adjustable beam angle varies from 15° to 60°, creating a diversified and dramatic atmosphere. Lens optical design with even light output. Changeable lighting orientation with 350° in horizontal direction and 90° in vertical direction. Aluminum heat sink provides excellent heat dissipation.

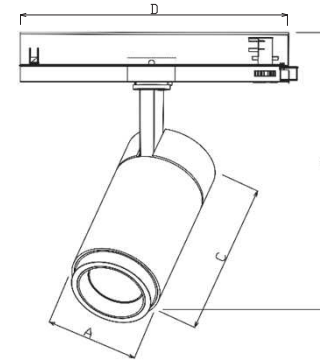
Features

- Supreme Aluminum heat sink with great heat dissipation.
- Citizen brand LED, CRI80/90/97 optional.
- Adjustable beam angle from 15° to 60°.
- 1-circuit and 3-circuit adapters for options.
- Adjustable lighting orientation with 350° in horizontal direction and 90° in vertical direction.

Application Areas

It is suitable for supermarket, specialty store, show window, exhibition hall; focus lighting, decorative and background lighting, where attention is focused on subjects to emphasize special visual points.





Technical Data Sheet

Code No.	TL56-15W-B1-I03	TL56-25W-B1-I03
Dimension(mm)	Ø65*221	Ø80*247
Cutout (mm)	-	-
Watt(W)	15W	25W
Rated Input Voltage(V)	AC230V	
Input Voltage(V)	AC220-240V	
LED Module Input	DC33-38V	
Light Source	COB	
SDCM	-	
CCT(K)	1-CCT: 2700K/3000K/4000K/5000K	
CCT Selection	-	
Luminous Flux (lm) ±5%	500~1500	900~2700
CRI	80 (90 optional)	
Beam Angle (°)	15° ~ 60° Adjustable	
UGR	-	
LED Driver	Driver built-out	
Protocol	Casambi Bluetooth	
Sensor	NO	
Emergency Kits	No	
Electrical Class	Class II	
Ingress Protection (IP Rating)	IP20	
Impact Resistance (IK Rating)	-	
Product Finishing(Base)	White RAL9016/Black RAL9005	
Optics Material	PC	
Housing Material	Aluminium	
Lifetime (hr)	50,000h	
Glow wire test (°C)	850°C	
Operating Temp. (°C)	-20°C~40°C	
Storage Temp. (°C)	-20°C~65°C	
Installation	Track	

Measurement

Code	Dimension(mm)				ProductWeight (Kg)		Packageweight (Kg)		Carton Size(cm)	Qty/CTN	20GP (pcs)	40HQ (pcs)	
	A	B	C	D	N.W/PC	G.W/PC	N.W/CTN	G.W/CTN					
TL56-15W-B1-I03	65	221	137	231	Ø65*221	0.69	0.82	8.28	10.5	56.5*32*42	12	4504	10156
TL56-25W-B1-I03	80	247	163	231	Ø80*247	0.91	1.07	10.92	13.74	63.5*41*48	12	2636	6020

Driver Datasheet

		Total load wattage	15W	25W
Output	Output Voltage range	DC14-42V		
	Rated output current	350mA		600mA
	Line Regulation	±5%		
	Setup, Rise Time	<0.66S		
	Flickering Index	<3%		
Input	Input Voltage	198-264VAC		
	Rated Input Voltage(V)	220-240VAC		
	Frequency	50/60HZ		
	Input Current	0.09A	0.15A	
	Rated Input Current	0.08A	0.14A	
	Power Factor	0.9		
	THD	-	<20% @230V	
	Efficiency	≥83%		
Protection	No load wattage	<0.5W		
	Short circuit protection	PASS		
	Over voltage protection	PASS		
Safety & EMC	Over temperature protection	PASS		
	Withstand voltage	I/P-O/P:3.75KVac.<5mA 60S		
	Isolation Resistance	500VDC, ≥2M Ω		
	Surge	IEC/EN61000-4-5 (P<25W; L-N:500V)	IEC/EN61000-4-5 (P≥25w L-N:1KV)	
	EMC Emission	EN55015, EN61000-3-2		
EMC Immunity	EN61000-4-2,3,4,5,6,8,11; EN61547			

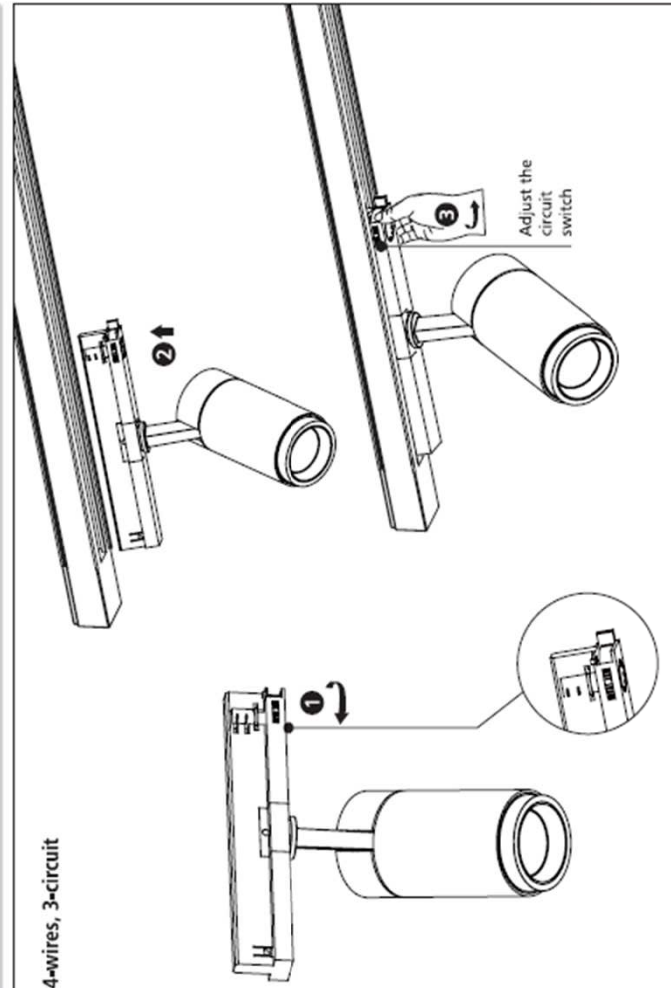
Installation Procedure

WARNING

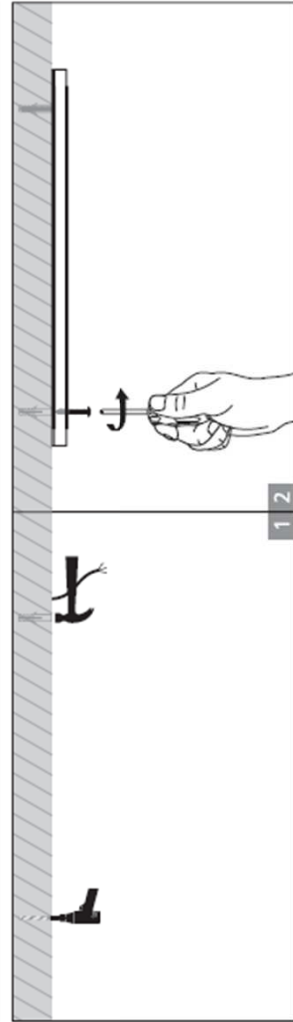
1. Switch off before installation.
2. Switch on only after complete installation and examination of the circuit.

How to install ?

4-wires, 3-circuit



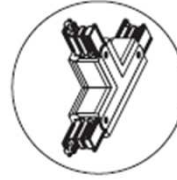
Installation for track



Straight "—"



Corner "L"



"T" shape



Cross "+"



Note: Do not install in the place near heat source, or in corrosive gas environment.

Connect the fixture to the network by using the 4remote BT App which can be downloaded from the following links:

_ Apple App Store: goo.gl/mxvVng

_ Google Play Store: goo.gl/Gmhb1N



Alternatively also with the QR code:





RL Europe
Your partner in LED

www.rleurope.ch

info@rleurope.ch

TEL: +41 (0)91 6832255

Add: via E. Bossi 12/B, CH-6830 Chiasso (TI)