

Entry / ECO

Standard / STD

Professional / PRO

ODM & OEM

Intelligent / INT



STD
Specifications



LED Downlight
DL369 Series

 **RL Europe**
Your partner in LED



Introduction

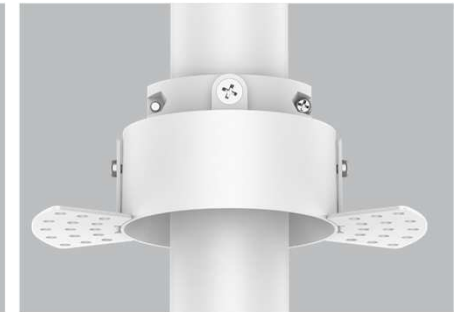
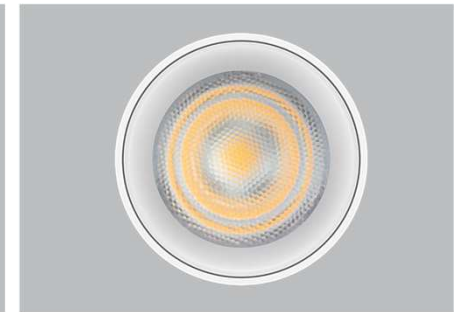
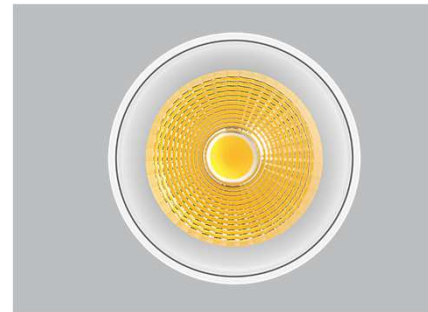
This is an extension design downlight, it's divided into trimless, trim, lens and reflector version. Adopt high lumen brand COB light source, the special optic lens and reflector design offer a uniform light output and low glare effect. The lamp body can be pulled out and do 350 degree horizontal rotation and 20 degree vertically rotation to meet more application lighting demand. Deep recessed module can lower the glare and offer a comfortable visual experience, 3CCT adjustable via an integrated dip switch to save your stock SKU.

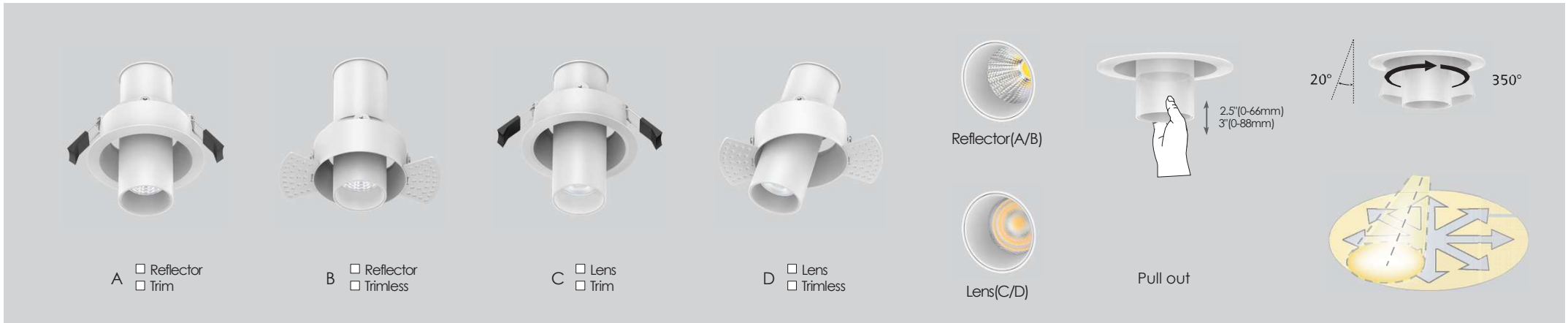
Features

- Four types options: Reflector/lens version match to trim/trimless version.
- Pull out the lamp body and do freely adjustment with wider angle.
- 350 degree horizontal rotation and 20 degree vertically rotation.
- Interchangeable CCT(2700K+3500K+5000K) with slide switch.
- AL6063 aluminum housing with great thermal management.
- Multiple beam angles: 20/24/36/45degrees.
- External flicker free driver.
- Dimming ways: Triac.

Application Areas

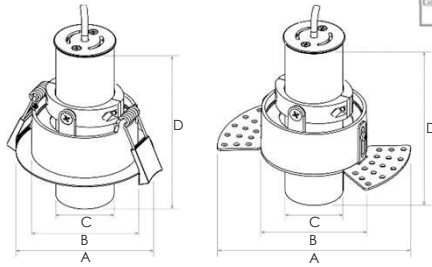
It is widely used in showroom, home, hotel, shopping mall etc.





Technical Data Sheet

Code No.	DL369A-2.5-6W	DL369A-3-10W	DL369A-3-12W	DL369B-2.5-6W	DL369B-3-10W	DL369B-3-12W	DL369C-2.5-6W	DL369C-3-10W	DL369C-3-12W	DL369D-2.5-6W	DL369D-3-10W	DL369D-3-12W		
Dimension(mm)	Ø85*H111.5	Ø100*H131.5	Ø100*H131.5	Ø66*H111.5	Ø81*H131.5	Ø81*H131.5	Ø85*H111.5	Ø100*H131.5	Ø100*H131.5	Ø66*H111.5	Ø81*H131.5	Ø81*H131.5		
Cutout (mm)	Ø68-80	Ø82-95	Ø82-95	Ø70	Ø85	Ø85	Ø68-80	Ø82-95	Ø82-95	Ø70	Ø85	Ø85		
Watt(W)	6W	10W	12W	6W	10W	12W	6W	10W	12W	6W	10W	12W		
Rated Input Voltage(V)	AC230V			AC230V			AC230V			AC230V				
Input Voltage(V)	AC200-240V			AC200-240V			AC200-240V			AC200-240V				
LED Module Input	-			-			-			-				
Light Source	COB			COB			COB			COB				
SDCM	<5			<5			<5			<5				
CCT(K)	1-CCT:2700K/3000K/4000K/5000K			1-CCT:2700K/3000K/4000K/5000K			1-CCT:2700K/3000K/4000K) 3-CCT:2700K+3500K+5000K			1-CCT:2700K/3000K/4000K) 3-CCT:2700K+3500K+5000K				
CCT Selection DIP Switch	-			-			YES			YES				
Luminous Flux (lm) ±5% (White)	Non-DIM	1-CCT	520-600	850-1000	1050-1250	520-600	850-1000	1050-1250	540-620	1050-1200	1300-1450	540-620	1050-1200	1300-1450
	DIM		520-600	800-940	980-1180	520-600	800-940	980-1180	540-620	980-1130	1220-1360	540-620	980-1130	1220-1360
	Non-DIM	3-CCT	-	-	-	-	-	-	360-500	680-850	800-1100	360-500	680-850	800-1100
	DIM		-	-	-	-	-	-	360-500	640-800	750-1030	360-500	640-800	750-1030
Black color decrease 10% lumen														
CRI	80			80			1-CCT:80 3-CCT:90			1-CCT:80 3-CCT:90				
Beam Angle (°)	20° 24° 36°			20° 24° 36°			24° 36°			24° 36°				
UGR	-			-			-			-				
LED Driver	Built-out			Built-out			Built-out			Built-out				
Dimming Option	Triac			Triac			Triac			Triac				
Sensor	NO			NO			NO			NO				
Emergency Kits	NO			NO			NO			NO				
Electrical Class	Class II			Class II			Class II			Class II				
Ingress Protection (IP Rating)	IP20			IP20			IP20			IP20				
Impact Resistance (IK Rating)	-			-			-			-				
Product Finishing(Base)	White RAL9016 & Black RAL9005			White RAL9016 & Black RAL9005			White RAL9016 & Black RAL9005			White RAL9016 & Black RAL9005				
Materials of Optics	Reflector: PC			Reflector: PC			Lens: PMMA			Lens: PMMA				
Materials of Housing	Aluminium die casting			Aluminium die casting			Aluminium die casting			Aluminium die casting				
Lifetime (hr)	50,000h			50,000h			50,000h			50,000h				
Glow wire test (°C)	750°C			750°C			750°C			750°C				
Operating Temp. (°C)	-20°C~40°C			-20°C~40°C			-20°C~40°C			-20°C~40°C				
Storage Temp. (°C)	-20°C~65°C			-20°C~65°C			-20°C~65°C			-20°C~65°C				
Installation	Recessed			Recessed			Recessed			Recessed				



Measurement

Code	Dimension(mm)				Size(mm)	Product Weight (Kg)		Packageweight (Kg)		Carton Size(cm)	Qty/CTN	20GP (pcs)	40HQ (pcs)
	A	B	C	D		N.W/PC	G.W/PC	N.W/CTN	G.W/CTN				
DL369A-2.5	Ø85	Ø66	Ø36	111.5	Ø85*111.5	0.25	0.37	6.00	9.74	52*39.5*29	24	10248	23808
DL369B-2.5	Ø120	Ø66	Ø36	111.5	Ø66*111.5	0.26	0.38	6.24	9.98				
DL369C-2.5	Ø85	Ø66	Ø36	111.5	Ø85*111.5	0.25	0.37	6.00	9.74				
DL369D-2.5	Ø120	Ø66	Ø36	111.5	Ø66*111.5	0.26	0.38	6.24	9.98				
DL369A-3	Ø100	Ø81	Ø46	131.5	Ø100*131.5	0.37	0.53	8.88	13.85				
DL369B-3	Ø140	Ø81	Ø46	131.5	Ø81*131.5	0.39	0.55	9.24	14.21	60*45.5*33	24	6480	15960
DL369C-3	Ø100	Ø81	Ø46	131.5	Ø100*131.5	0.37	0.53	8.88	13.85				
DL369D-3	Ø140	Ø81	Ø46	131.5	Ø81*131.5	0.39	0.55	9.24	14.21				

Driver Datasheet(Non-dimmable)

Total load wattage		6W	10W	12W
Output	Output Voltage range	DC28-40V		DC30-40V
	Rated output current	130mA	230mA	300mA
	Line Regulation	±5%		
	Setup, Rise Time	≤500ms @230V		
	Flickering Index	1%(NO RISK)	0.5%(NO RISK)	
Input	Input Voltage	200-264V		
	Rated Input Voltage(V)	220-240V		
	Frequency	50/60Hz		
	Input Current	≤0.04A	≤0.06A	≤0.07A
	Rated Input Current	≤0.04A	≤0.05A	≤0.07A
	Power Factor	0.85	0.9	
	THD	<20% @230V		
Protection	Short circuit protection	PASS		
	Over voltage protection	PASS		
	Over temperature protection	PASS		
Safety & EMC	Withstand voltage	I/P-O/P:3.75KVac,<5mA 60S		
	Isolation Resistance	I/P-O/P: 500VDC, ≥100M Ω		
	Surge	IEC/EN61000-4-5(L-N:0.5KV)		
	EMC Emission	IEC/EN55015, IEC/EN61000-3-2		
	EMC Immunity	EC/EN61000-4-2,3,4,5,6,8,11; IEC/EN61547		

Driver Datasheet(Triac Dimmable)

Total load wattage		6W	10W	12W
Output	Output Voltage range	DC24-38V	DC30-40V	
	Rated output current	130mA	230mA	280mA
	Line Regulation	±5%		
	Setup, Rise Time	≤500ms @230V		
	Flickering Index	1%(NO RISK)	0.5%(NO RISK)	
Input	Input Voltage	200-264V		
	Rated Input Voltage(V)	220-240V		
	Frequency	50Hz		
	Input Current	≤0.04A	≤0.06A	≤0.07A
	Rated Input Current	≤0.04A	≤0.05A	≤0.07A
	Power Factor	0.8	0.9	
	THD	<20% @230V		
	Efficiency	≥76%	≥80%	
Protection	No load wattage	<0.5W@230V		
	Short circuit protection	PASS		
	Over voltage protection	PASS		
	Over temperature protection	PASS		
Safety & EMC	Withstand voltage	I/P-O/P:3.75KVac,<5mA 60S		
	Isolation Resistance	I/P-O/P: 500VDC, ≥100M Ω		
	Surge	IEC/EN61000-4-5(L-N:0.5KV)		
	EMC Emission	IEC/EN55015, IEC/EN61000-3-2		
	EMC Immunity	EC/EN61000-4-2,3,4,5,6,8,11; IEC/EN61547		

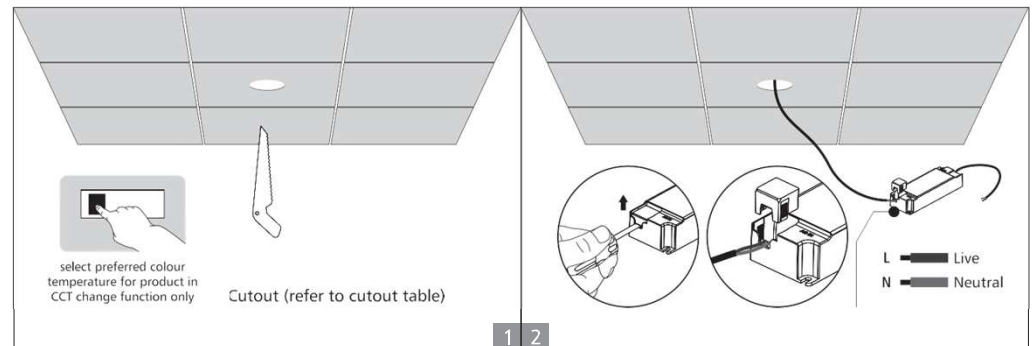
Installation Procedure

WARNING

- 1.Switch off before installation.
- 2.Switch on only after complete installation and examination of the circuit.
- 3.Professional electrician for installation and maintenance only.



Downlight with external driver(Trlm)



If the external flexible cable or cord of this luminaire is damaged, it shall be exclusively replaced by the manufacturer or his service agent or a similar qualified person in order to avoid a hazard.

COMPLETE

The light source contained in this luminaire shall only be replaced by the manufacturer or his service agent or a similar qualified person.

CAUTION
Risk of electric shock.

3 4

COMPLETE

Adjust according to installation requirements

20°

350°

COMPLETE

4-1 4-2

COMPLETE

The light source contained in this luminaire shall only be replaced by the manufacturer or his service agent or a similar qualified person.

CAUTION
Risk of electric shock.

5 6

COMPLETE

Adjust according to installation requirements

20°

350°

COMPLETE

6-1 6-2

Downlight with external driver(trimless)

Cutout (refer to cutout table)

select preferred colour temperature for product in CCT change function only

L Live
N Neutral

1 2

If the external flexible cable or cord of this luminaire is damaged, it shall be exclusively replaced by the manufacturer or his service agent or a similar qualified person in order to avoid a hazard.

COMPLETE

The light source contained in this luminaire shall only be replaced by the manufacturer or his service agent or a similar qualified person.

CAUTION
Risk of electric shock.

3 4



RL Europe
Your partner in LED

www.rleurope.ch

info@rleurope.ch

TEL: +41 (0)91 6832255

Add: via E. Bossi 12/B, CH-6830 Chiasso (TI)