

LED freestanding luminaire
OL07B-I03 Series





Introduction

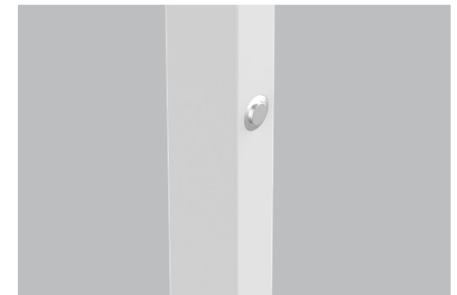
This OL07 freestanding lamp is composed of three parts: flat lamp body, lamp pole and lamp base. With a precise optical design (UGR<16, up 75% & down 25% lighting), it has direct lighting and indirect lighting, which ensures a more uniform and more comfortable lighting effect.

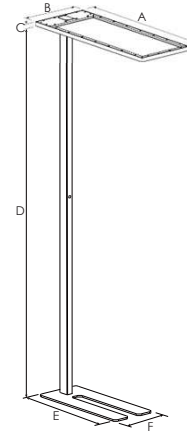
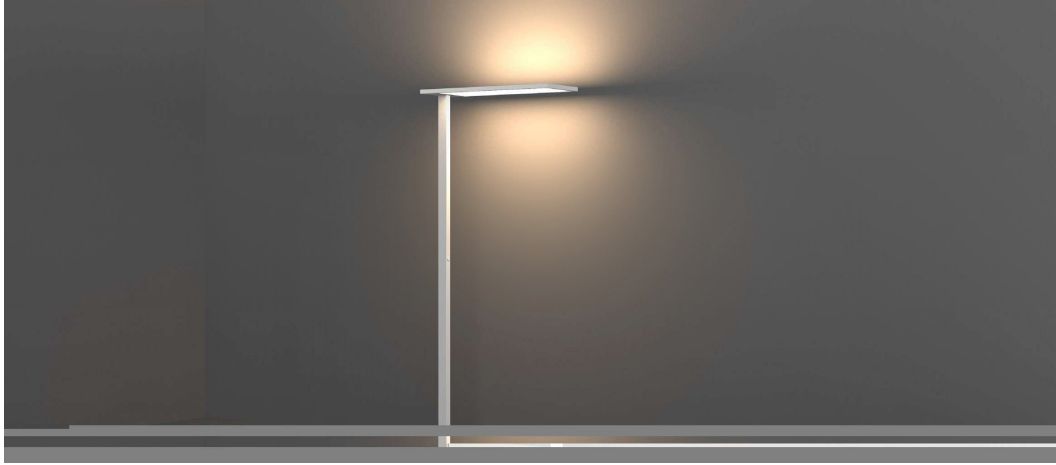
Features

- Tridonic DALI DT8 Tunable white and Tridonic DALI DT6 Dimming are optional.
- Easy for assembly and maintenance.
- High lighting efficiency, 115lm/W.
- Precise optical design: Direct and indirect lighting, UGR<16, up 75% & down 25% lighting.
- Plug and play, convenient for different position.
- CASAMBI bluetooth smart control.

Application Areas

It is specially designed for general lighting applications in office, meeting room, hotel etc.





Measurement

Code	Dimension(mm)			Size (mm)	Product Weight(Kg)		Package weight(Kg)		Carton Size (cm)	Qty/CTN	20GP (sets)	40HQ (sets)
	A	B	C		N.W/PC	G.W/PC	N.W/CTN	G.W/CTN				
OL07B Lamp body	920	300	24	920*300*24	3.4	4.2	20.4	26.5	98*44.5*37	6		
OL07B Lamp pole	D			1900*55*35	3.8	4.13	22.8	25.5	202*14.5*14.5	6	648	1560
	1900											
OL07B Lamp base	E		F	580*240*8	6.8	7.2	21.6	23	66*31.5*16	3		
	580		240									

Technical Data Sheet		DALI DT8 Tunable white	
Code No.		OL07B-100W-B-103	
Dimension(mm)		1925*920*300	
Cutout (mm)		-	
Watt(W)		100W	
Rated Input Voltage(V)		AC230V	
Input Voltage(V)		AC220-240V	
LED Module Input		-	
Light Source		SMD2835	
SDCM		<6	
CCT(K)		2700K-6500K	
CCT Selection		Yes	
Luminous Flux (lm) ±5%		8200-10800	
CRI		≥80	
Beam Angle (°)		120°	
UGR		<16	
LED Driver		Driver built-in	
Dimming Protocol		Bluetooth	
Sensor		NO	
Emergency Kits		NO	
Electrical Class		Class I	
Ingress Protection (IP Rating)		IP20	
Impact Resistance (IK Rating)		-	
Product Finishing(Base)		White RAL9016	
Optics Material		PMMA/PC	
Housing Material		Aluminium	
Lifetime (hr)		50,000h	
Glow wire test (°C)		750°C	
Operating Temp. (°C)		-10°C~40°C	
Storage Temp. (°C)		-20°C~60°C	
Installation		Pedestal mounted	

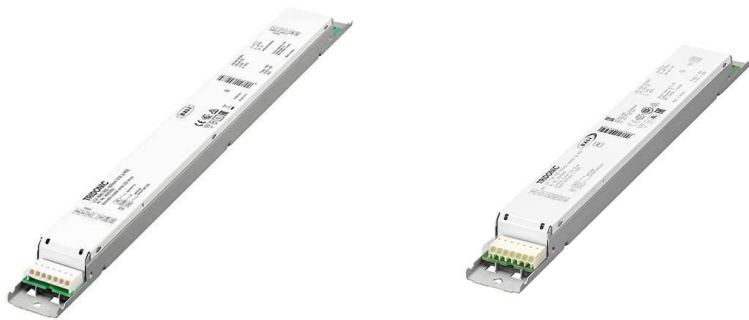
Technical Data Sheet		DALI DT6 Dimmable	
Code No.		OL07B-100W-B1-103	
Dimension(mm)		1925*920*300	
Cutout (mm)		-	
Watt(W)		100W	
Rated Input Voltage(V)		AC230V	
Input Voltage(V)		AC220-240V	
LED Module Input		-	
Light Source		SMD2835	
SDCM		<6	
CCT(K)		3000K/4000K/5000K/5700K	
CCT Selection		-	
Luminous Flux (lm) ±5%		10500-11800	
CRI		≥80	
Beam Angle (°)		120°	
UGR		<16	
LED Driver		Driver built-in	
Dimming Protocol		Bluetooth	
Sensor		NO	
Emergency Kits		NO	
Electrical Class		Class I	
Ingress Protection (IP Rating)		IP20	
Impact Resistance (IK Rating)		-	
Product Finishing(Base)		White RAL9016	
Optics Material		PMMA/PC	
Housing Material		Aluminium	
Lifetime (hr)		50,000h	
Glow wire test (°C)		750°C	
Operating Temp. (°C)		-10°C ~40°C	
Storage Temp. (°C)		-20°C~60°C	
Installation		Pedestal mounted	

Driver Datasheet(DALI)

Driver Code	LCA 85W 600-1800mA DT8 Ip PRE	LCA 75W 900-1800mA one4all Ip PRE	
Output	Output Voltage range	DC20-50V	DC20-46.9V
	Rated output current	50W@1100mA±5%	50W@1100mA±5%
	Line Regulation	±5%	
	Setup, Rise Time	≤1S@230V	
	Flickering Index	NO RISK	
Input	Input Voltage	AC198-264V	
	Rated Input Voltage(V)	AC220-240V	
	Frequency	47Hz-63Hz	
	Input Current	0.28A	0.28A
	Rated Input Current	0.25A	0.25A
	Power Factor	0.9	0.9
	THD	<20% @230V	
	Efficiency	≥90%	
	No load wattage	<0.5W	
Protection	Short circuit protection	Pass	
	Over voltage protection	Pass	
	Over temperature protection	Pass	
Safety &EMC	Withstand voltage	I/P-O/P:3.75KVAC5mA 60S;	I/P-FG:1.6kV 5mA 60S
	Isolation Resistance	I/P-FG O/P-FG: 500VDC,>2M Ω	
	Surge	IEC/EN61000-4-5 (P≥25w L-N:1KV, L/N-PE:2KV)	
	EMC Emission	EN55015,EN61000-3-2,EN61000-3-3, GB/T17743,GB17625.1,GB17625.2	
	EMC Immunity	EN61000-4-2,3,4,5,6,11, GB/T17626.2,3,4,5,6,11	

Benefits

Flexible configuration via companionSUITE
 Application-oriented operating window for maximum compatibility
 Best energy savings due to low stand-by losses and high efficiency
 Flexible configuration via DALI, and I-SELECT 2



Driver LCA 85W 600-1800mA DT8 Ip PRE

Product description

Dimmable built-in constant current 2-channel LED driver with DALI-2 DT8
 Dimming range 3 to 100 %
 Suitable for luminaires of protection class I and protection class II (see data sheet chapter 3.4 for details)
 Output current adjustable between 600 – 1,800 mA for each channel
 Max. output power 85 W
 Up to 90 % efficiency
 Power input on stand-by < 0.5 W

Functions

Adjustable output current in 1-mA-steps (DALI) or with resistor plug (I-SELECT 2)
 Constant light output function (CLO)
 colourSWITCH with predefined colours
 switchDIM and colourSWITCH with memory function
 Power-up fading and fade2zero
 Configurable via DALI
 Protective features (overtemperature, short-circuit, overload, no-load, reduced surge amplification)
 Intelligent Voltage Guard (overvoltage and undervoltage monitoring)

Driver LCA 75W 900-1800mA one4all Ip PRE

Product description

- NEW: lumDATA (DALI-2 part ext. 251, 252 and 253)
- Dimmable built-in constant current LED driver
- Dimming range 1 to 100 %
- For luminaires of protection class I and protection class II
- Output current adjustable between 900 – 1,800 mA
- Max. output power 75 W
- Up to 91 % efficiency
- Power input on stand-by < 0.15 W

Functions

- Adjustable output current in 1-mA-steps (DALI, ready2mains, I-SELECT 2)
- Fulfills DALI-2 parts: 251 (Luminaire data), 252 (Energy reporting) and 253 (Diagnostics & Maintenance)
- Constant light output function (CLO)
- Power-up fading at AC
- Configurable via ready2mains
- Switch off the driver with fade2zero
- Service monitor to log certain events
- Protective features (overtemperature, short-circuit, overload, no-load, input voltage range, reduced surge amplification)
- Intelligent Voltage Guard (overvoltage and undervoltage monitoring)

WARNING

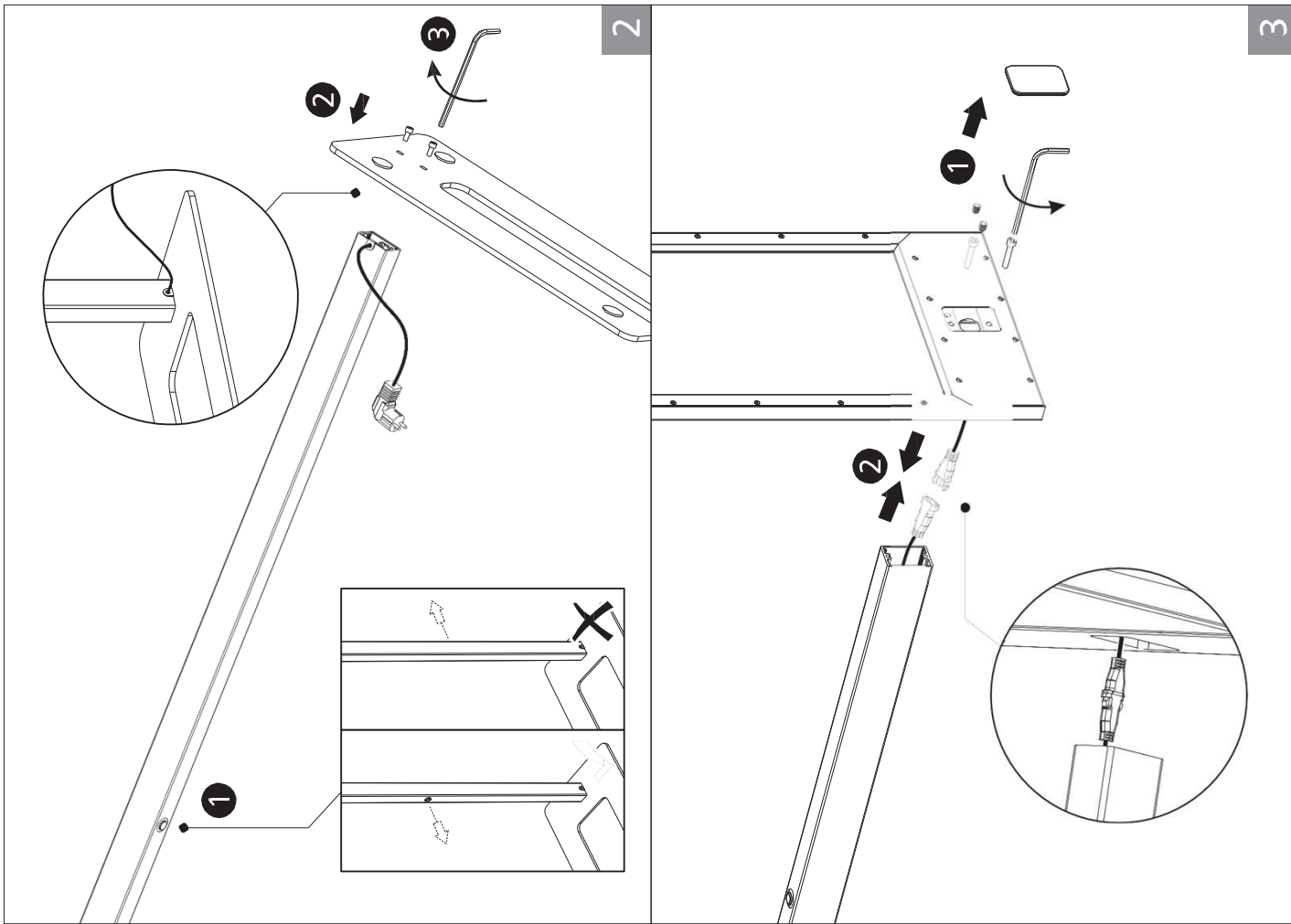
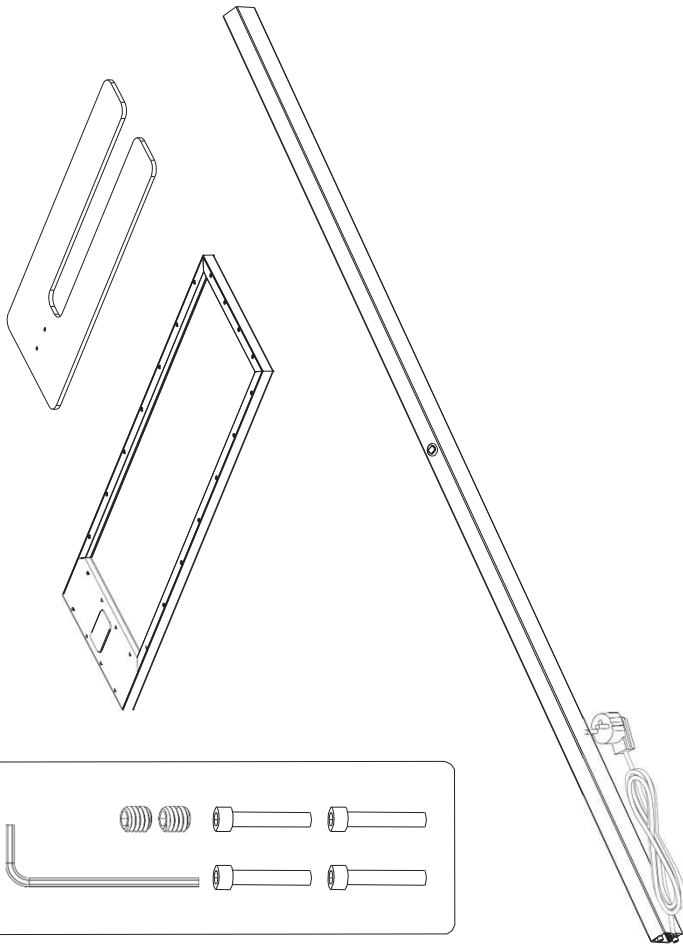
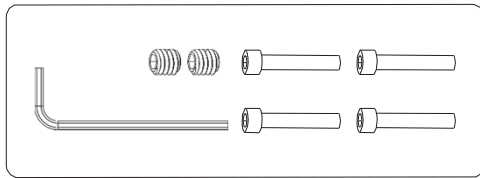
1. Switch off before installation.
2. Switch on only after complete installation and examination of the circuit.
3. Professional electrician for installation and maintenance only.

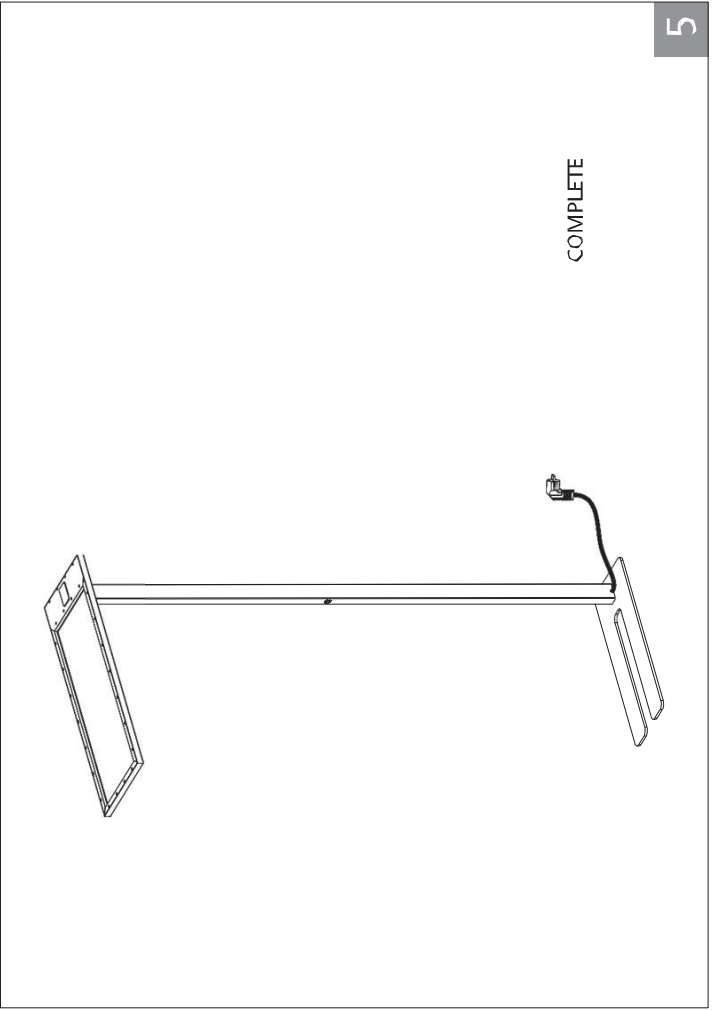
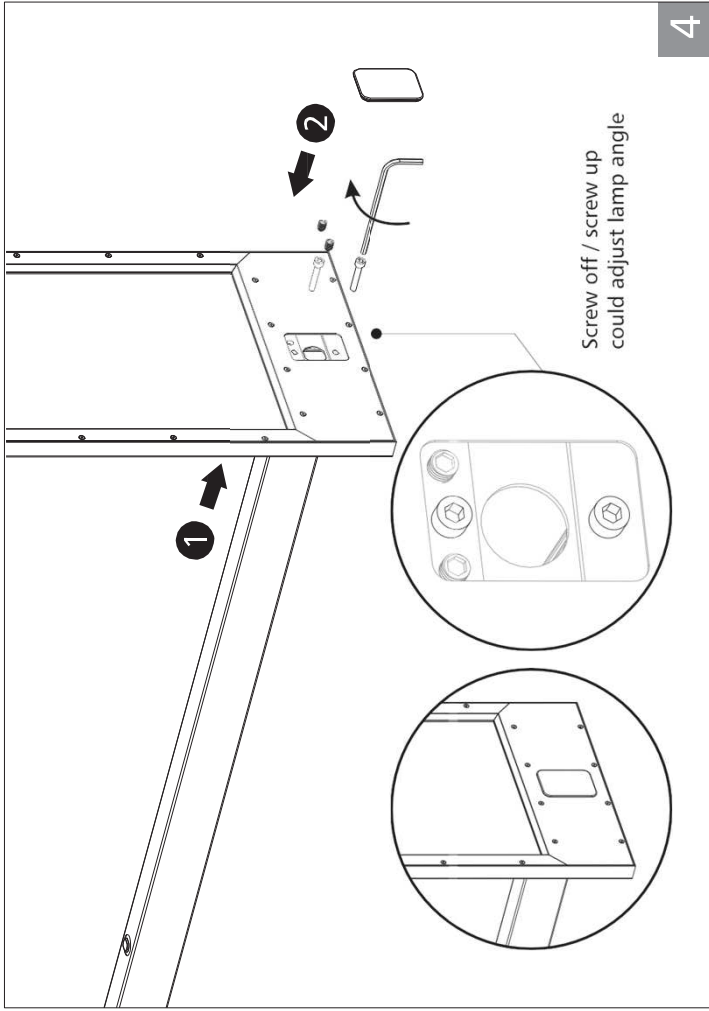


Turn Off
Power Supply



■ Pedestal Installation







RL Europe
Your partner in LED

www.rleurope.ch

info@rleurope.ch

TEL: +41 (0)91 6832255

Add: via E. Bossi 12/B, CH-6830 Chiasso (TI)