

Entry /ECO

Standard /STD

Professional/PRO

ODM & OEM

Intelligent/INT



ECO
Specifications



LED Vapor Proof
DB169 Series

 **RL Europe**
Your partner in LED



Introduction

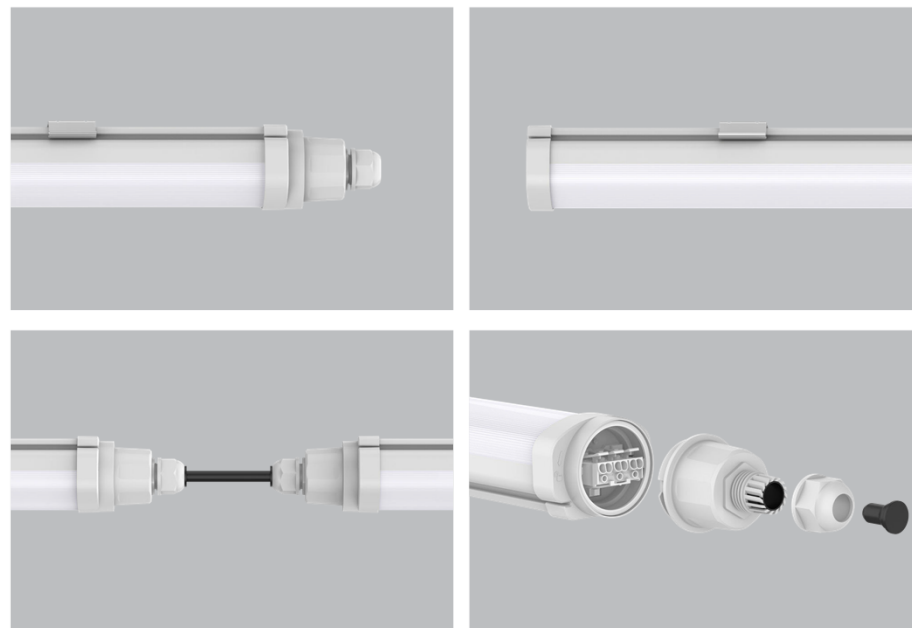
DB169 is a high quality LED batten with waterproof, dustproof and corrosion resistant functions. It adopts high lumen efficiency SMD light source, PC cover is internal stripe design which makes a uniform light output. The end cap and waterproof connector combined in one so that can enlarge the lighting area and played a role of energy saving. With a reliable and robust housing structure (IK08 & IP65), this maximizes the endurance and contributes to its long lifetime. For installation, it has splicing version DB169A and non-splicing version DB169B, both versions are quick install, no need to open the lamp for wire connection. Three size options: 600mm, 1200mm, 1500mm), it's an ideal replacement for traditional fluorescent batten.

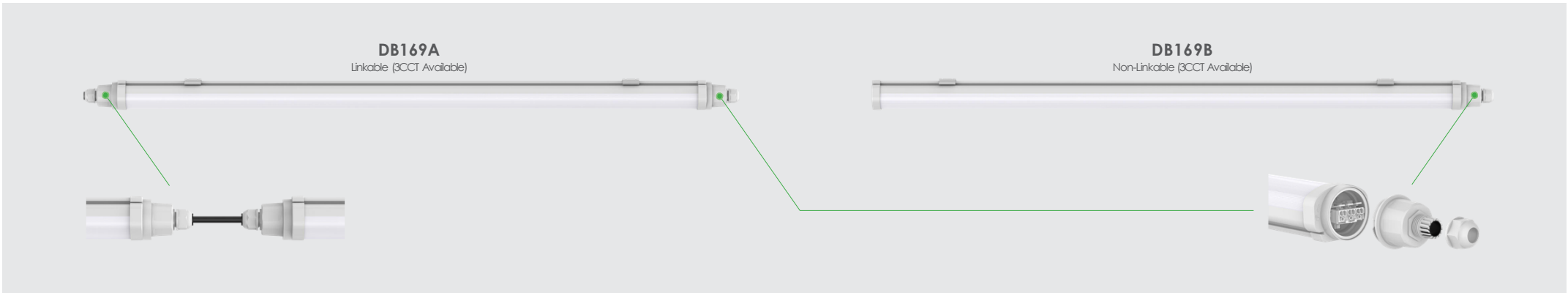
Features

- DB169A is splicing design while DB169B is non-splicing.
- DB169A can splicing to 1200W max.
- High lumen efficiency, 120lm/W @ 4000K.
- Interchangeable CCT(3000K+4000K+5700K) with slide switch.
- IP65, IK08 high protection level.
- Tool free mains cable installation on both sides through twist lock fastener cover at both sides.
- Internal flicker free driver.

Application Areas

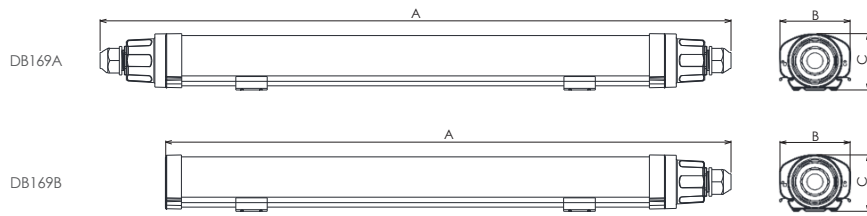
Car parks, warehouses, workshops, underground areas.





Technical Data Sheet

Code No.	DB169A-600-18W			DB169A-1200-33W			DB169A-1500-46W			DB169B-600-18W			DB169B-1200-33W			DB169B-1500-46W				
Dimension(mm)	600*66*54			1200*66*54			1500*66*54			538*66*54			1138*66*54			1438*66*54				
Cutout (mm)				-									-							
Watt(W)	18W			33W			46W			18W			33W			46W				
Rated Input Voltage(V)				AC 220-240V									AC 220-240V							
Input Voltage(V)				AC 200-264V									AC 200-264V							
LED Module Input				-									-							
Light Source				SMD									SMD							
SDCM				< 6									< 6							
CCT(K)				1-CCT: 3000K/4000K/5000K/5700K 3-CCT: 3000K + 4000K + 5700K									1-CCT: 3000K/4000K/5000K/5700K 3-CCT: 3000K + 4000K + 5700K							
CCT Selection DIP Switch				YES									YES							
Luminous Flux (lm) ±5%	Non-DIM	1-CCT	1800-2100			3500-4000			5500-6000			1800-2100			3500-4000			5500-6000		
			-			-			-			-			-			-		
	DIM	3-CCT	1800-2100			3500-4000			5500-6000			1800-2100			3500-4000			5500-6000		
			-			-			-			-			-			-		
CRI				80									80							
Beam Angle (°)				120°									120°							
UGR				-									-							
LED Driver				Built-in									Built-in							
Dimming Option				NO									NO							
Sensor				NO									NO							
Emergency Kits				NO									NO							
Electrical Class				Class II									Class II							
Ingress Protection (IP Rating)				IP65									IP65							
Impact Resistance (IK Rating)				IK08									IK08							
Product Finishing(Base)				RAL7047									RAL7047							
Materials of Optics				PC									PC							
Materials of Housing				PC									PC							
Lifetime (hr)				50,000H									50,000H							
Glow wire test (°C)				750°C									750°C							
Operating Temp. (°C)				-20°C~45°C									-20°C~45°C							
Storage Temp. (°C)				-20°C~65°C									-20°C~65°C							
Installation				Surface mount / Pendant									Surface mount / Pendant / Wall mount							



Measurement

Code	Dimension(mm)			Product Weight(Kg)		Package weight(Kg)		Carton Size(cm)	Qty/CTN	20GP (pcs)	40HQ (pcs)	
	A	B	C	N.W/PC	G.W/PC	N.W/CTN	G.W/CTN					
DB169A-600	600	66	54	600*66*54	0.42	0.50	4.98	6.56	63*25*24	12	8748	19800
DB169A-1200	1200	66	54	1200*66*54	0.75	0.92	9.00	11.98	123*25*24	12	4212	9960
DB169A-1500	1500	66	54	1500*66*54	0.91	1.12	10.92	14.56	153*25*24	12	3348	7920
DB169B-600	538	66	54	538*66*54	0.37	0.46	4.45	5.99	56.5*25*24	12	9720	22080
DB169B-1200	1138	66	54	1138*66*54	0.69	0.86	8.22	11.15	116.5*25*24	12	4860	10800
DB169B-1500	1438	66	54	1438*66*54	0.84	1.05	10.02	13.62	146.5*25*24	12	3888	8640

Driver Datasheet (Non-dimmable)

Total load wattage		18W	33W	46W
Output	Output Voltage range	DC190-220V	DC390-430V	DC390-430V
	Rated output current	80mA	75mA	100mA
	Line Regulation	±0.5mA		
	Setup, Rise Time	≤0.5S @230V		
	Flickering Index	0.5%(NO RISK)	0.5%(NO RISK)	0.5%(NO RISK)
Input	Input Voltage	AC 200-264V		
	Rated input Voltage(V)	AC 220-240V		
	Frequency	50/60Hz		
	Input Current	0.11	0.2	0.27
	Rated input Current	0.1	0.18	0.24
	Power Factor	≥0.9		
	THD	<20% @230V		
	Efficiency	≥90%		
Protection	No load wattage	-		
	Short circuit protection	PASS		
	Over voltage protection	PASS		
Safety & EMC	Over temperature protection	PASS		
	Withstand voltage	I/P-O/P:3.75kVac, <5mA 60S		
Safety & EMC	Isolation Resistance	I/P-O/P: 500VDC, ≥4M Ω		
	Surge	IEC/EN61000-4-5(P<25W; L-N:500V)	IEC/EN61000-4-5 (P≥25W L-N:1KV)	
	EMC Emission	EN55015, EN61000-3-2		
Safety & EMC	EMC Immunity	EN61000-4-2,3,4,5,6,8,11; EN61547		

Installation Procedure

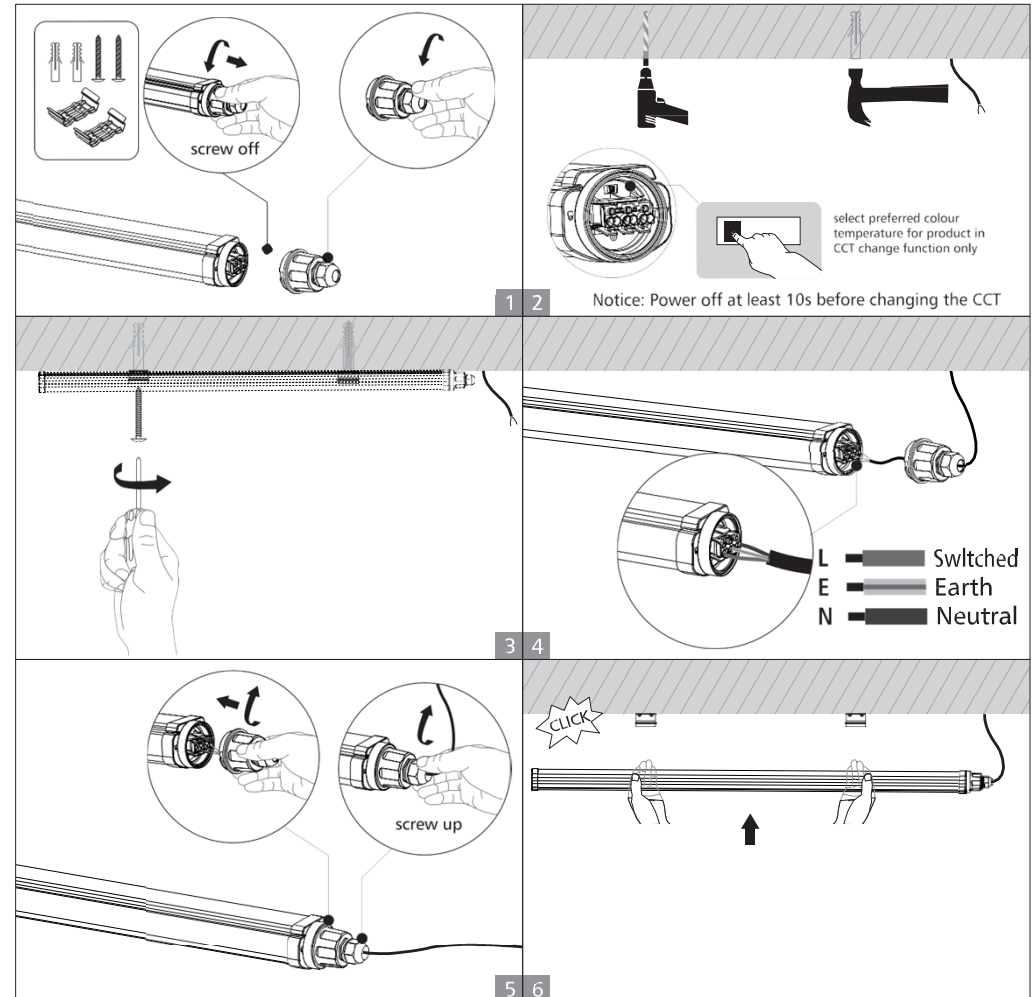
WARNING

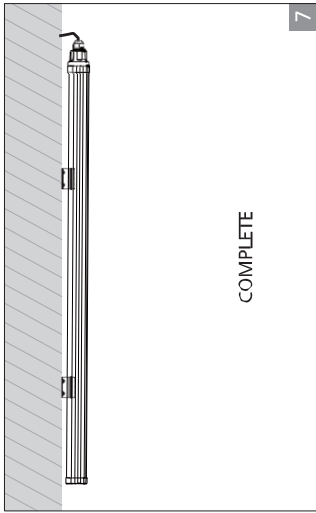
1. Switch off before installation.
2. Switch on only after complete installation and examination of the circuit.
3. Professional electrician for installation and maintenance only.



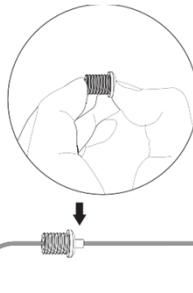
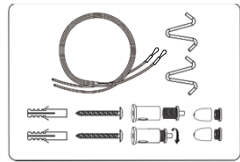
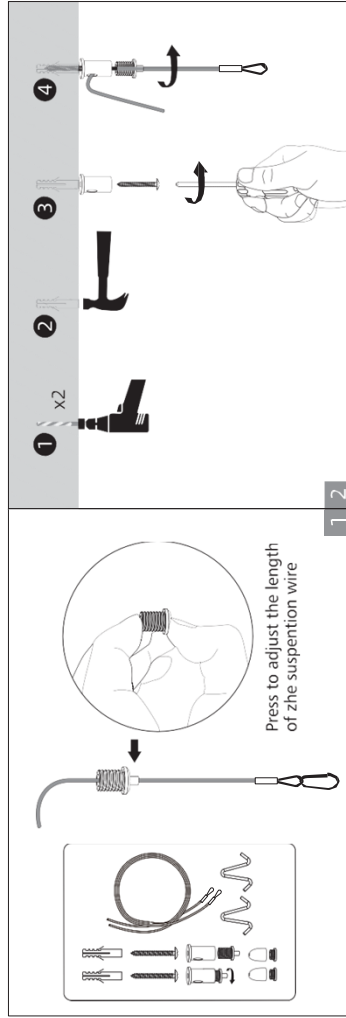
Turn Off power supply before starting any Installation. Read instructions & check you have all the tools & accessories to complete the installation correctly.

Surface mounted Installation

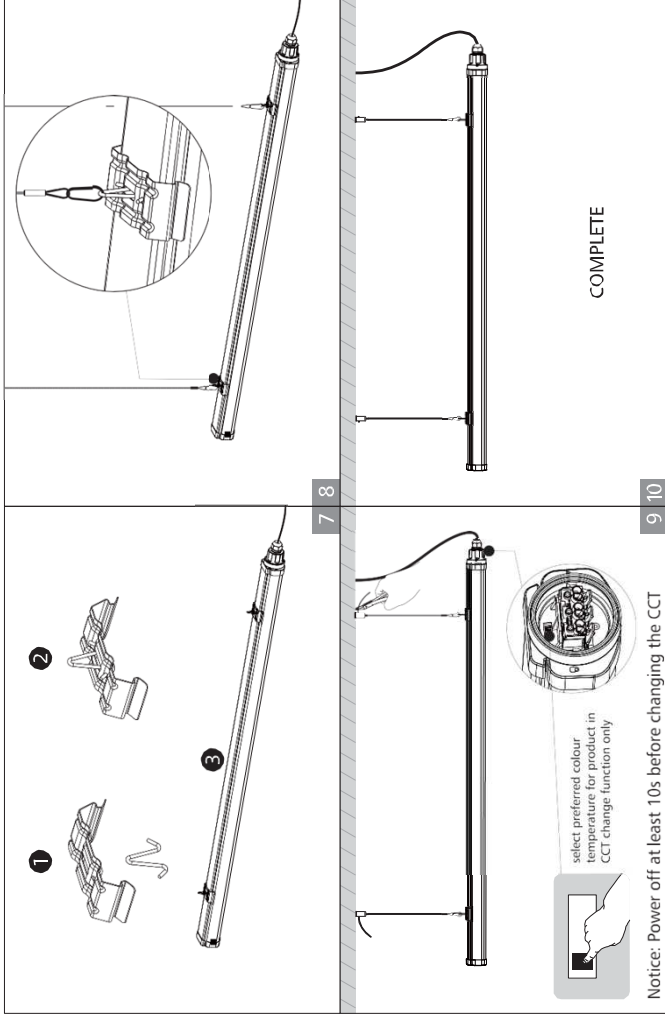
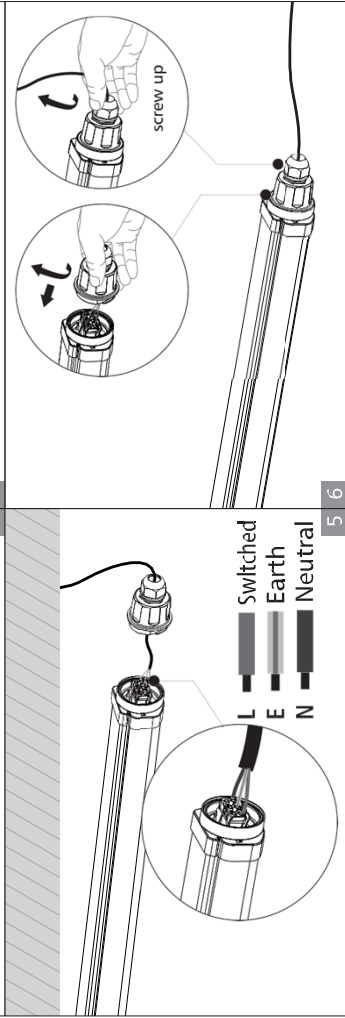
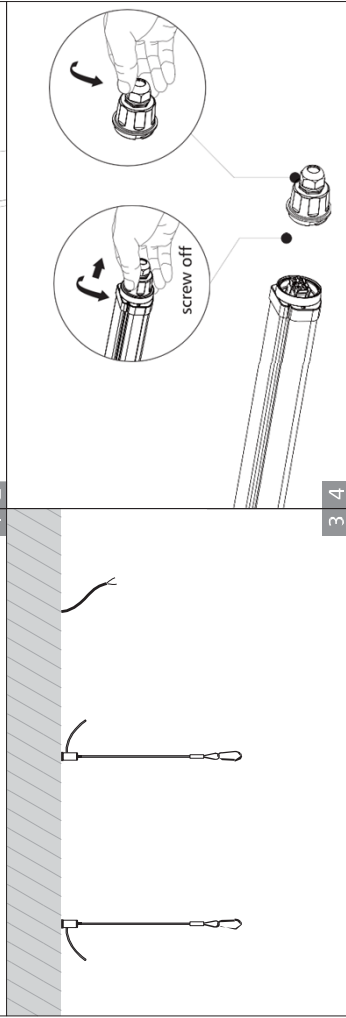




Suspended Installation



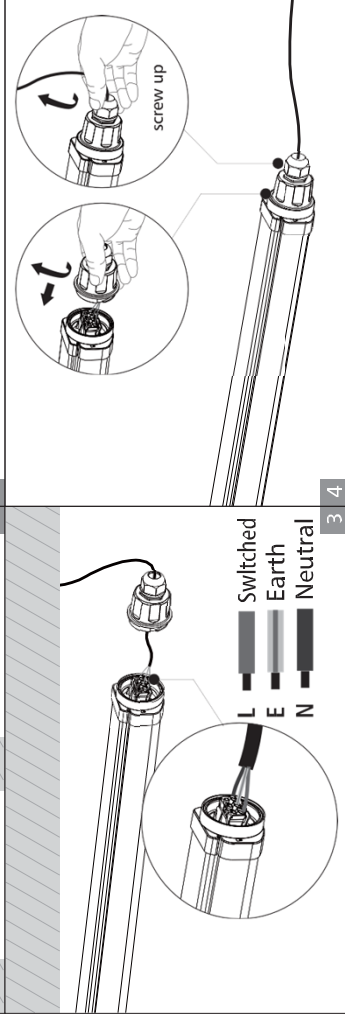
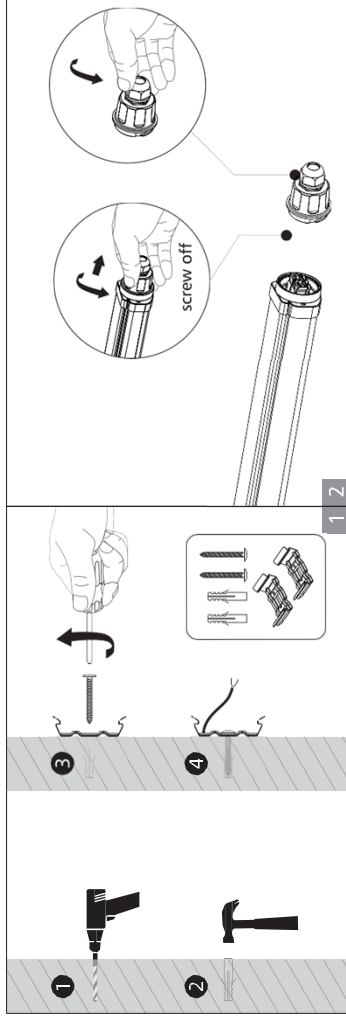
1 2

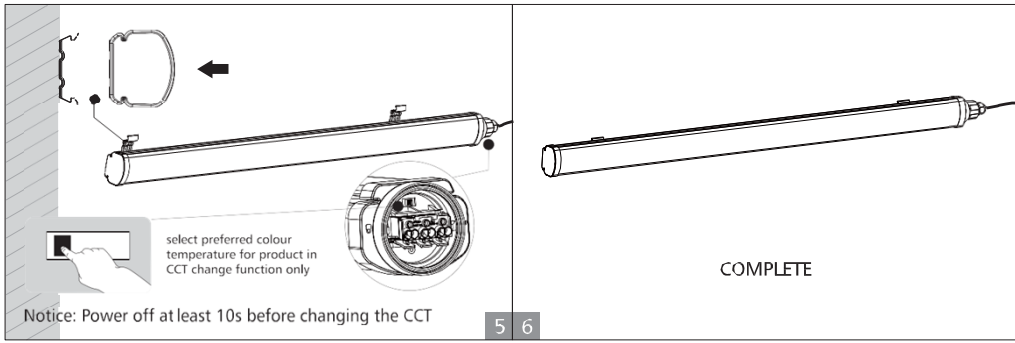


select preferred colour temperature for product in CCT change function only

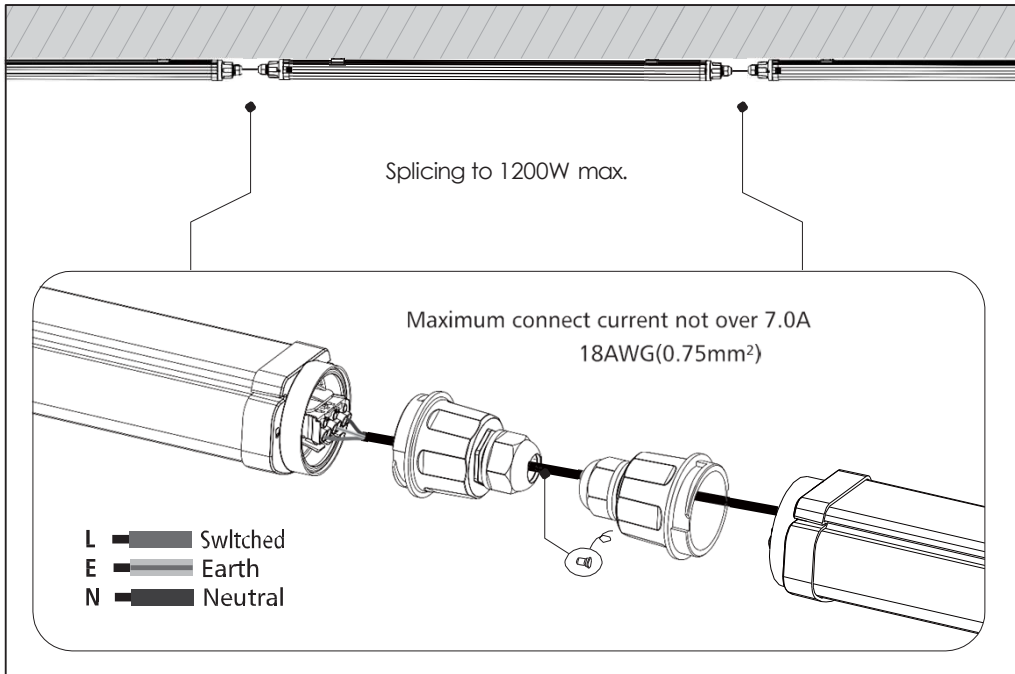
Notice: Power off at least 10s before changing the CCT

Wall mounted Installation





Splicing for Installation





RL Europe
Your partner in LED

www.rleurope.ch

info@rleurope.ch

TEL: +41 (0)91 6832255

Add: via E. Bossi 12/B, CH-6830 Chiasso (TI)