

Entry / ECO

Standard / STD

Professional / PRO

ODM & OEM

Intelligent / INT

2020

STD
Specifications



LED Panel Light
PL-DF Series





Introduction

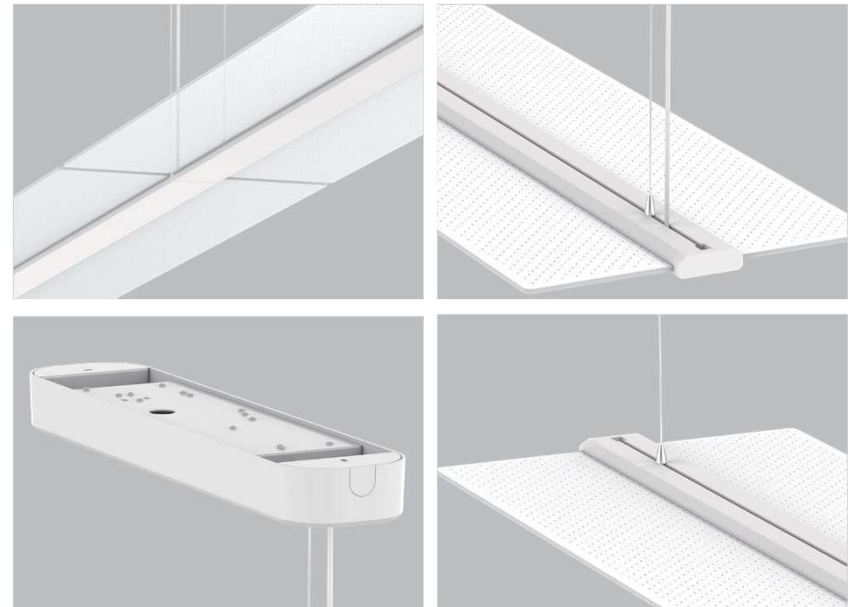
This panel light is a frameless, transparent design, which provides a great visual aesthetic feeling. Adopt high lumen SMD light source, the 4mm transparent PMMA LGP makes a uniform, soft lighting output and reaches anti-glare UGR<19. 6063 aluminum heat sink makes an excellent thermal management. Magnetic mounting box can also save much time for installation.

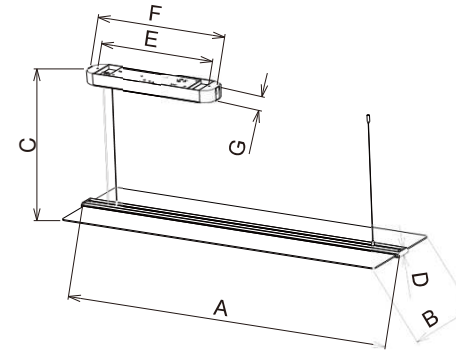
Features

- Down Lighting design 1:1 light distribution.
- Transparent design makes a great visual aesthetic feeling.
- Anti-glare with UGR<19.
- Linkable available.
- High lumen efficiency, 120lm/W.
- Fast installation with magnetic mounting box.
- Interchangeable CCT (3000K+4000K) with slide switch.
- External flicker free driver.
- Triac dim and DALI dimming options.

Application Areas

It is widely used in office room, meeting room, waiting room, classroom etc.





Technical Data Sheet

Code No.	PL35120-40W-DF	PL35120-40W-DF-D	PL35120-60W-DF
Dimension(mm)	1200*350*1500		
Cutout (mm)	-		
Watt(W)	40W		60W
Rated Input Voltage(V)	AC220-240V	AC200-240V	AC220-240V
Input Voltage(V)	DC36V		
LED Module Input	-		
Light Source	SMD4014		
SDCM	<6		
CCT(K)	1-CCT: 3000K/4000K 2-CCT: 3000K + 4000K		
CCT Selection DIP Switch	YES		
Luminous Flux (lm) ±5%	Non-DIM 1- CCT	3800-4800	5800-7300
	DIM CCT	3600-4800	5600-7300
	Non-DIM 2- CCT	3800-4800	5800-7300
	DIM CCT	3600-4800	5600-7300
CRI	≥80		
Beam Angle (°)	120°		
UGR	UGR<19		
LED Driver	Built-out		
Dimming Option	Triac/ DALI		
Sensor	-		
Emergency Kits	-		
Electrical Class	Class I		
Ingress Protection (IP Rating)	IP20		
Impact Resistance (IK Rating)	-		
Product Finishing(Base)	White RAL9016		
Materials of Optics	PMMA		
Materials of Housing	Aluminum		
Lifetime (hr)	50,000h		
Glow wire test (°C)	-		
Operating Temp. (°C)	-10°C ~40°C		
Storage Temp. (°C)	-20°C ~50°C		
Installation	Suspended		

Measurement

Code	Dimension(mm)							Size(mm)	Product Weight (Kg)		Package weight (Kg)		Carton Size(cm)	Qty / CT N	20GP (pcs)	40HQ (pcs)
	A	B	C	D	E	F	G		N.W/PC	G.W/PC	N.W/CT N	G.W/CT N				
PL-DF	1200	350	1500	19	422	480	43	1200*350*1500	4.5	6	9	14.1	141.5*12.5*50	2	608	1412

Driver Datasheet (Non- Dimmable)

		Total load wattage	40W	60W
Output	Output Voltage range	30-40V		
	Rated output current	1000mA	1500mA	
	Line Regulation	±5%		
	Setup, Rise Time	≤0.5S		
	Flickering Index	<3% (NO RISK)		
Input	Input Voltage	AC220-240V		
	Rated Input Voltage(V)	AC230V		
	Frequency	50/60Hz		
	Input Current	≤0.23A	≤0.34A	
	Rated Input Current	0.2A	0.29A	
	Power Factor	0.9		
	THD	<20%@AC230V		
	Efficiency	≥88%		
	No load wattage	<0.5W		
Protection	Short circuit protection	Pass		
	Over voltage protection	Pass		
	Over temperature protection	Pass		
Safety & EMC	Withstand voltage	I/P-O/P:3.75KVac,<5mA 60S ; I/P-FG:1.6KVac,<5mA 60S ; O/P-FG:0.5KVac,<5mA 60S		
	Isolation Resistance	I/P-O/P: 500VDC, ≥100M Ω		
	Surge	IEC/EN61000-4-5 (P≥25w L-N:1KV, L/N-PE:2KV)		
	EMC Emission	EN55015, EN61000-3-2		
	EMC Immunity	EN61000-4-2,3,4,5,6,8,11 ; EN61547		

Driver Datasheet (Triac Dimmable)

Total load wattage		40W
Output	Output Voltage range	DC30-40V
	Rated output current	950mA
	Line Regulation	±5%
	Setup, Rise Time	<0.5S
	Flickering Index	<5%(LOW RISK)
Input	Input Voltage	AC200-240V
	Rated Input Voltage(V)	AC230V
	Frequency	50Hz
	Input Current	≤0.23A
	Rated Input Current	0.2A
	Power Factor	0.9
	THD	<20% @230V
	Efficiency	≥85%
No load wattage	<1W	
Protection	Short circuit protection	Pass
	Over voltage protection	Pass
	Over temperature protection	Pass
Safety &EMC	Withstand voltage	I/P-O/P:3.75KVac,<5mA 60S;I/P-FG:1.6KVac,<5mA 60S;O/P-FG:0.5KVac,<5mA 60S
	Isolation Resistance	I/P-O/P: 500VDC, ≥100M Ω
	Surge	IEC/EN61000-4-5 (P≥25w L-N:1KV, L/N-PG:2KV)
	EMC Emission	EN55015, EN61000-3-2
EMC Immunity	EN61000-4-2,3,4,5,6,8,11; EN61547	

Driver Datasheet (DALI)

Total load wattage		40W	60W
Output	Output Voltage range	DC25-42V	
	Rated output current	1000mA	1450mA
	Line Regulation	±5%	
	Setup, Rise Time	<1S	
	Flickering Index	<1%	
Input	Input Voltage	AC220-240V	
	Rated Input Voltage(V)	AC230V	
	Frequency	50/60Hz	
	Input Current	≤0.23A	≤0.45A
	Rated Input Current	0.18A	0.29A
	Power Factor	0.9	
	THD	<20% @230V	
	Efficiency	≥88%	
No load wattage	<1W		
Protection	Short circuit protection	Pass	
	Over voltage protection	Pass	
	Over temperature protection	Pass	
Safety &EMC	Withstand voltage	I/P-O/P:3.75KVAC	
	Isolation Resistance	-	
	Surge	IEC/EN61000-4-5 (P≥25w L-N:1KV, L/N-PG:2KV)	
	EMC Emission	EN55015, EN61000-3-2	
EMC Immunity	EN61000-4-2,3,4,5,6,8,11; EN61547		

Installation Procedure

WARNING ⚡

- 1.Switch off before installation / maintenance.
- 2.Switch on only after complete installation and examination of the circuit.
- 3.Professional electrician for installation and maintenance only.

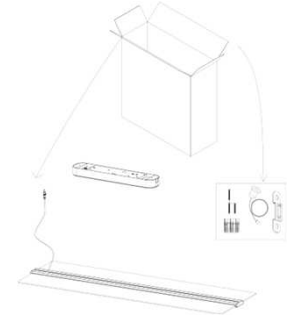


Turn Off power supply before starting any installation. Read instructions & check you have all the tools & accessories to complete the installation correctly.

Suspended

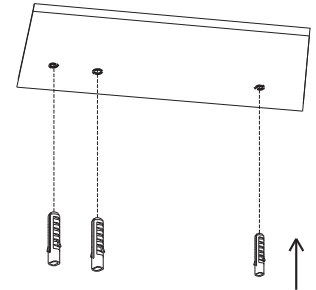
Step1

Take out panel and accessory pack from box.



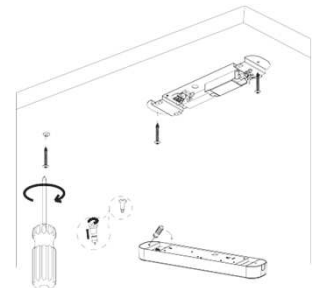
Step2

Knock the plastic anchor into ceiling.



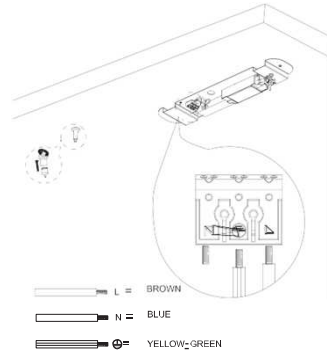
Step3

Open the driver box, fasten the bracket and self-lock device on the ceiling.



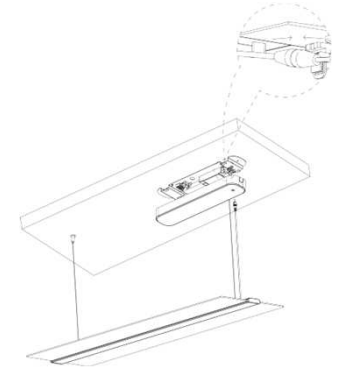
Step4

Connect AC wire correctly, rotate the steel wire end part and fix it with the bracket.



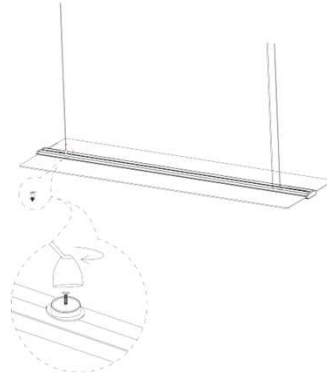
Step7

Fix the steel wire into the end connector, connect male and female plug, and then cover the mounting box.



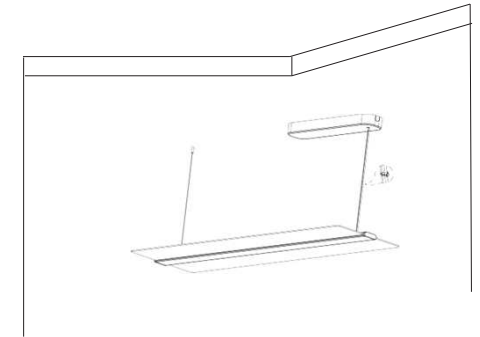
Step5

Fix steel wires in panel.



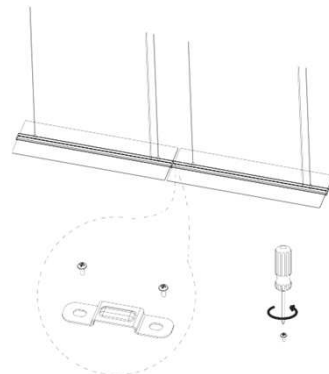
Step8

Adjust a suitable length for steel wire, fix the wires with cable clip.



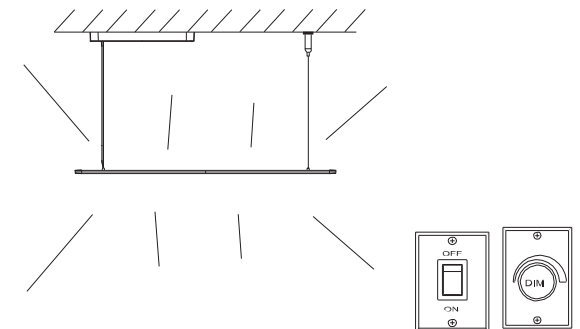
Step6

For splicing version only: Remove end cap screws, then align the connector with screw holes.



Step9

Switch on.





RL Europe
Your partner in LED

www.rleurope.ch

info@rleurope.ch

TEL: +41 (0)91 6832255

Add: via E. Bossi 12/B, CH-6830 Chiasso (TI)