

PENDANT LIGHT ROUND



PENDANT LIGHT ROUND: A DIFFERENT CONCEPT OF LIGHT!



ROUND



COVER



BIG



PENDANT LIGHT ROUND 34W

PENDANT LIGHT ROUND: ONE OF A KIND

Once installed the environment changes completely.

Two installation options are available: suspended or directly to the ceiling. The new design makes this product the perfect solution for showrooms, commercial areas, markets, museums, hotels, restaurants, etc.

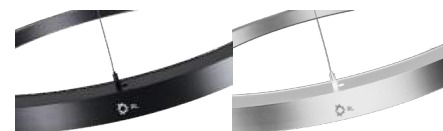
PENDANT LIGHT ROUND: UNICA NEL SUO GENERE

Una volta installata l'ambiente cambia completamente.

Si può scegliere se installarla sospesa oppure direttamente sul soffitto. Il nuovo design rende questo prodotto la soluzione ideale per showroom, aree commerciali, supermercati, musei, hotel, ristoranti, etc.

PENDANT LIGHT ROUND: AUSSERGEWÖHNLICH IN SEINEM GENRE

Einmal installiert, wechselt das Ambiente vollkommen. Man kann auswählen, ob die Lampe hängend oder direkt an der Decke installiert wird. Durch das neue Design ist dieses Produkt ideal für Showrooms, Kaufhäuser, Supermärkte, Museen, Hotels, Restaurants, etc.



BLACK

SILVER



C.R.I. COMPARISON



TECHNICAL DATA

ARTICLE NUMBER	RL600-PRXW	RL600-PRXN
NAME OF PRODUCT	PENDANT LIGHT ROUND	PENDANT LIGHT ROUND
INNER CARTON	1	1
MASTER CARTON	1	1
WEIGHT SINGLE PIECE	1,400 Kg	1,400 Kg

GENERAL CARACHTERISTICS

MAIN APPLICATION	COMMERCIAL LIGHTING	COMMERCIAL LIGHTING
NOMINAL LIFETIME	> 50.000 hours	> 50.000 hours
SOURCE (LED TYPE)	SMD 2835	SMD 2835
IP RATE	IP 40	IP 40

LIGHTING DATA

COLOR TEMPERATURE	3.000K ±100	4.000K ±100
CRI	>85	>85
LUMINOUS FLUX	>3.400 Lm	>3.550 Lm
LLMF (LUMEN MAINTENANCE)	70% AFTER 25.000 hrs	70% AFTER 25.000 hrs
RATED BEAM ANGLE	> 120°	> 120°

ELECTRICAL DATA

SYSTEM POWER	34 W	34 W
START TIME (SECOND)	< 0,5S	< 0,5S
WARM-UP TIME TO 60% LIGHT OUTPUT	INSTANT FULL LIGHT	INSTANT FULL LIGHT
INPUT VOLTAGE	AC 100-277V	AC 100-277V
FREQUENCY	50/60 Hz	50/60 Hz
POWER FACTOR	> 93	> 93
DIMMABLE	AVAILABLE	AVAILABLE
ENERGY SAVING	YES	YES
WORKING TEMPERATURE	-20-45° C	-20-45° C
HUMIDITY	<85%	<85%

DIMENSION

DIMENSION OF THE PRODUCT	ø600X35X35 mm	ø600X35X35 mm
--------------------------	---------------	---------------

COLOR

COLOR OF THE PRODUCT	X=B BLACK	X=S SILVER	X= W WHITE
----------------------	-----------	------------	------------

APPROVAL & APPLICATIONS CHARS

VDE MARKING	IN PROCESS	IN PROCESS
CE MARKING	YES	YES
UL MARKING	IN PROCESS	IN PROCESS
ROHS COMPLIANCE	YES	YES

PENDANT LIGHT ROUND 46W

PENDANT LIGHT ROUND: ONE OF A KIND

Once installed the environment changes completely. Two installation options are available: suspended or directly to the ceiling. The new design makes this product the perfect solution for showrooms, commercial areas, markets, museums, hotels, restaurants, etc.

PENDANT LIGHT ROUND: UNICA NEL SUO GENERE

Una volta installata l'ambiente cambia completamente. Si può scegliere se installarla sospesa oppure direttamente sul soffitto. Il nuovo design rende questo prodotto la soluzione ideale per showroom, aree commerciali, supermercati, musei, hotel, ristoranti, etc.

PENDANT LIGHT ROUND: AUSSERGEWÖHNLICH IN SEINEM GENERE

Einmal installiert, wechselt das Ambiente vollkommen. Man kann auswählen, ob die Lampe hängend oder direkt an der Decke installiert wird. Durch das neue Design ist dieses Produkt ideal für Showrooms, Kaufhäuser, Supermärkte, Museen, Hotels, Restaurants, etc.



BLACK

SILVER



C.R.I. COMPARISON



OUR PENDANT LIGHT CRI>85



NORMAL LIGHT C.R.I. 70

TECHNICAL DATA

ARTICLE NUMBER	RL800-PRXW	RL800-PRXN
NAME OF PRODUCT	PENDANT LIGHT ROUND	PENDANT LIGHT ROUND
INNER CARTON	1	1
MASTER CARTON	1	1
WEIGHT SINGLE PIECE	1,920 Kg	1,920 Kg

GENERAL CHARACTERISTICS

MAIN APPLICATION	COMMERCIAL LIGHTING	COMMERCIAL LIGHTING
NOMINAL LIFETIME	> 50.000 hours	> 50.000 hours
SOURCE (LED TYPE)	SMD 2835	SMD 2835
IP RATE	IP 40	IP 40

LIGHTING DATA

COLOR TEMPERATURE	3.000K ±100	4.000K ±100
CRI	>85	>85
LUMINOUS FLUX	>4.600 Lm	>4.850 Lm
LLMF (LUMEN MAINTENANCE)	70% AFTER 25.000 hrs	70% AFTER 25.000 hrs
RATED BEAM ANGLE	> 120°	> 120°

ELECTRICAL DATA

SYSTEM POWER	46 W	46 W
START TIME (SECOND)	< 0,5S	< 0,5S
WARM-UP TIME TO 60% LIGHT OUTPUT	INSTANT FULL LIGHT	INSTANT FULL LIGHT
INPUT VOLTAGE	AC 100-277V	AC 100-277V
FREQUENCY	50/60 Hz	50/60 Hz
POWER FACTOR	> 93	> 93
DIMMABLE	AVAILABLE	AVAILABLE
ENERGY SAVING	YES	YES
WORKING TEMPERATURE	-20-45° C	-20-45° C
HUMIDITY	<85%	<85%

DIMENSION

DIMENSION OF THE PRODUCT	ø800X35X35 mm	ø800X35X35 mm
--------------------------	---------------	---------------

COLOR

COLOR OF THE PRODUCT	X=B BLACK	X=S SILVER	X= W WHITE
----------------------	-----------	------------	------------

APPROVAL & APPLICATIONS CHARS

VDE MARKING	IN PROCESS	IN PROCESS
CE MARKING	YES	YES
UL MARKING	IN PROCESS	IN PROCESS
ROHS COMPLIANCE	YES	YES

PENDANT LIGHT ROUND 56W

PENDANT LIGHT ROUND: ONE OF A KIND

Once installed the environment changes completely.

Two installation options are available: suspended or directly to the ceiling. The new design makes this product the perfect solution for showrooms, commercial areas, markets, museums, hotels, restaurants, etc.

PENDANT LIGHT ROUND: UNICA NEL SUO GENERE

Una volta installata l'ambiente cambia completamente.

Si può scegliere se installarla sospesa oppure direttamente sul soffitto. Il nuovo design rende questo prodotto la soluzione ideale per showroom, aree commerciali, supermercati, musei, hotel, ristoranti, etc.

PENDANT LIGHT ROUND: AUSSERGEWÖHNLICH IN SEINEM GENRE

Einmal installiert, wechselt das Ambiente vollkommen. Man kann auswählen, ob die Lampe hängend oder direkt an der Decke installiert wird. Durch das neue Design ist dieses Produkt ideal für Showrooms, Kaufhäuser, Supermärkte, Museen, Hotels, Restaurants, etc.



BLACK

SILVER



C.R.I. COMPARISON



TECHNICAL DATA

ARTICLE NUMBER	RL1000-PRXW	RL1000-PRXN
NAME OF PRODUCT	PENDANT LIGHT ROUND	PENDANT LIGHT ROUND
INNER CARTON	1	1
MASTER CARTON	1	1
WEIGHT SINGLE PIECE	2,420 Kg	2,420 Kg

GENERAL CHARACTERISTICS

MAIN APPLICATION	COMMERCIAL LIGHTING	COMMERCIAL LIGHTING
NOMINAL LIFETIME	> 50.000 hours	> 50.000 hours
SOURCE (LED TYPE)	SMD 2835	SMD 2835
IP RATE	IP 40	IP 40

LIGHTING DATA

COLOR TEMPERATURE	3.000K ±100	4.000K ±100
CRI	>85	>85
LUMINOUS FLUX	>5.600 Lm	>5.920 Lm
LLMF (LUMEN MAINTENANCE)	70% AFTER 25.000 hrs	70% AFTER 25.000 hrs
RATED BEAM ANGLE	> 120°	> 120°

ELECTRICAL DATA

SYSTEM POWER	56 W	56 W
START TIME (SECOND)	< 0,5S	< 0,5S
WARM-UP TIME TO 60% LIGHT OUTPUT	INSTANT FULL LIGHT	INSTANT FULL LIGHT
INPUT VOLTAGE	AC 100-277V	AC 100-277V
FREQUENCY	50/60 Hz	50/60 Hz
POWER FACTOR	> 93	> 93
DIMMABLE	AVAILABLE	AVAILABLE
ENERGY SAVING	YES	YES
WORKING TEMPERATURE	-20-45° C	-20-45° C
HUMIDITY	<85%	<85%

DIMENSION

DIMENSION OF THE PRODUCT	ø1.000X35X35 mm	ø1.000X35X35 mm
--------------------------	-----------------	-----------------

COLOR

COLOR OF THE PRODUCT	X=B BLACK	X=S SILVER	X= W WHITE
----------------------	-----------	------------	------------

APPROVAL & APPLICATIONS CHARS

VDE MARKING	IN PROCESS	IN PROCESS
CE MARKING	YES	YES
UL MARKING	IN PROCESS	IN PROCESS
ROHS COMPLIANCE	YES	YES

PENDANT LIGHT ROUND COVER 34W

PENDANT LIGHT ROUND: ONE OF A KIND

Once installed the environment changes completely. Two installation options are available: suspended or directly to the ceiling. The new design makes this product the perfect solution for showrooms, commercial areas, markets, museums, hotels, restaurants, etc.

PENDANT LIGHT ROUND: UNICA NEL SUO GENERE

Una volta installata l'ambiente cambia completamente. Si può scegliere se installarla sospesa oppure direttamente sul soffitto. Il nuovo design rende questo prodotto la soluzione ideale per showroom, aree commerciali, supermercati, musei, hotel, ristoranti, etc.

PENDANT LIGHT ROUND: AUSSERGEWÖHNLICH IN SEINEM GENERE

Einmal installiert, wechselt das Ambiente vollkommen. Man kann auswählen, ob die Lampe hängend oder direkt an der Decke installiert wird. Durch das neue Design ist dieses Produkt ideal für Showrooms, Kaufhäuser, Supermärkte, Museen, Hotels, Restaurants, etc.



WHITE

SILVER



C.R.I. COMPARISON



OUR PENDANT LIGHT C.R.I. 85



NORMAL LIGHT C.R.I. 70

TECHNICAL DATA

ARTICLE NUMBER	RL500-PRCXW	RL500-PRCXN
NAME OF PRODUCT	PENDANT LIGHT ROUND COVER	PENDANT LIGHT ROUND COVER
INNER CARTON	1	1
MASTER CARTON	1	1
WEIGHT SINGLE PIECE	1,600 Kg	1,600 Kg

GENERAL CHARACTERISTICS

MAIN APPLICATION	COMMERCIAL LIGHTING	COMMERCIAL LIGHTING
NOMINAL LIFETIME	> 50.000 hours	> 50.000 hours
SOURCE (LED TYPE)	SMD 2835	SMD 2835
IP RATE	IP 40	IP 40

LIGHTING DATA

COLOR TEMPERATURE	3.000K ±100	4.000K ±100
CRI	>85	>85
LUMINOUS FLUX	>3.400 Lm	>3.550 Lm
LLMF (LUMEN MAINTENANCE)	70% AFTER 25.000 hrs	70% AFTER 25.000 hrs
RATED BEAM ANGLE	> 120°	> 120°

ELECTRICAL DATA

SYSTEM POWER	34 W	34 W
START TIME (SECOND)	< 0,5S	< 0,5S
WARM-UP TIME TO 60% LIGHT OUTPUT	INSTANT FULL LIGHT	INSTANT FULL LIGHT
INPUT VOLTAGE	AC 100-277V	AC 100-277V
FREQUENCY	50/60 Hz	50/60 Hz
POWER FACTOR	> 93	> 93
DIMMABLE	AVAILABLE	AVAILABLE
ENERGY SAVING	YES	YES
WORKING TEMPERATURE	-20-45° C	-20-45° C
HUMIDITY	<85%	<85%

DIMENSION

DIMENSION OF THE PRODUCT	ø500 H85 mm	ø500 H85 mm
--------------------------	-------------	-------------

COLOR

COLOR OF THE PRODUCT	X=B BLACK	X=S SILVER	X= W WHITE
----------------------	-----------	------------	------------

APPROVAL & APPLICATIONS CHARS

VDE MARKING	IN PROCESS	IN PROCESS
CE MARKING	YES	YES
UL MARKING	IN PROCESS	IN PROCESS
ROHS COMPLIANCE	YES	YES

PENDANT LIGHT ROUND COVER 54W

PENDANT LIGHT ROUND: ONE OF A KIND

Once installed the environment changes completely.

Two installation options are available: suspended or directly to the ceiling. The new design makes this product the perfect solution for showrooms, commercial areas, markets, museums, hotels, restaurants, etc.

PENDANT LIGHT ROUND: UNICA NEL SUO GENERE

Una volta installata l'ambiente cambia completamente.

Si può scegliere se installarla sospesa oppure direttamente sul soffitto. Il nuovo design rende questo prodotto la soluzione ideale per showroom, aree commerciali, supermercati, musei, hotel, ristoranti, etc.

PENDANT LIGHT ROUND: AUSSERGEWÖHNLICH IN SEINEM GENRE

Einmal installiert, wechselt das Ambiente vollkommen. Man kann auswählen, ob die Lampe hängend oder direkt an der Decke installiert wird. Durch das neue Design ist dieses Produkt ideal für Showrooms, Kaufhäuser, Supermärkte, Museen, Hotels, Restaurants, etc.



WHITE

SILVER



C.R.I. COMPARISON



OUR PENDANT LIGHT CRI=85

NORMAL LIGHT C.R.I. 70

TECHNICAL DATA

ARTICLE NUMBER	RL600-PRCXW	RL600-PRCXN
NAME OF PRODUCT	PENDANT LIGHT ROUND COVER	PENDANT LIGHT ROUND COVER
INNER CARTON	1	1
MASTER CARTON	1	1
WEIGHT SINGLE PIECE	2,120 Kg	2,120 Kg

GENERAL CHARACTERISTICS

MAIN APPLICATION	COMMERCIAL LIGHTING	COMMERCIAL LIGHTING
NOMINAL LIFETIME	> 50.000 hours	> 50.000 hours
SOURCE (LED TYPE)	SMD 2835	SMD 2835
IP RATE	IP 40	IP 40

LIGHTING DATA

COLOR TEMPERATURE	3.000K ±100	4.000K ±100
CRI	>85	>85
LUMINOUS FLUX	>5.400 Lm	>5.620 Lm
LLMF (LUMEN MAINTENANCE)	70% AFTER 25.000 hrs	70% AFTER 25.000 hrs
RATED BEAM ANGLE	> 120°	> 120°

ELECTRICAL DATA

SYSTEM POWER	54 W	54 W
START TIME (SECOND)	< 0,5S	< 0,5S
WARM-UP TIME TO 60% LIGHT OUTPUT	INSTANT FULL LIGHT	INSTANT FULL LIGHT
INPUT VOLTAGE	AC 100-277V	AC 100-277V
FREQUENCY	50/60 Hz	50/60 Hz
POWER FACTOR	> 93	> 93
DIMMABLE	AVAILABLE	AVAILABLE
ENERGY SAVING	YES	YES
WORKING TEMPERATURE	-20-45° C	-20-45° C
HUMIDITY	<85%	<85%

DIMENSION

DIMENSION OF THE PRODUCT	ø600 H85 mm	ø600 H85 mm
--------------------------	-------------	-------------

COLOR

COLOR OF THE PRODUCT	X=B BLACK	X=S SILVER	X= W WHITE
----------------------	-----------	------------	------------

APPROVAL & APPLICATIONS CHARS

VDE MARKING	IN PROCESS	IN PROCESS
CE MARKING	YES	YES
UL MARKING	IN PROCESS	IN PROCESS
ROHS COMPLIANCE	YES	YES

PENDANT LIGHT ROUND BIG 50W

PENDANT LIGHT ROUND: ONE OF A KIND

Once installed the environment changes completely. Two installation options are available: suspended or directly to the ceiling. The new design makes this product the perfect solution for showrooms, commercial areas, markets, museums, hotels, restaurants, etc.

PENDANT LIGHT ROUND: UNICA NEL SUO GENERE

Una volta installata l'ambiente cambia completamente. Si può scegliere se installarla sospesa oppure direttamente sul soffitto. Il nuovo design rende questo prodotto la soluzione ideale per showroom, aree commerciali, supermercati, musei, hotel, ristoranti, etc.

PENDANT LIGHT ROUND: AUSSERGEWÖHNLICH IN SEINEM GENRE

Einmal installiert, wechselt das Ambiente vollkommen. Man kann auswählen, ob die Lampe hängend oder direkt an der Decke installiert wird. Durch das neue Design ist dieses Produkt ideal für Showrooms, Kaufhäuser, Supermärkte, Museen, Hotels, Restaurants, etc.



WHITE



C.R.I. COMPARISON



OUR PENDANT LIGHT C.R.I. 85

NORMAL LIGHT C.R.I. 70

TECHNICAL DATA

ARTICLE NUMBER	RL800-PRXBW	RL800-PRXBN
NAME OF PRODUCT	PENDANT LIGHT ROUND BIG	PENDANT LIGHT ROUND BIG
INNER CARTON	1	1
MASTER CARTON	1	1
WEIGHT SINGLE PIECE	1,900 Kg	1,900 Kg

GENERAL CHARACTERISTICS

MAIN APPLICATION	COMMERCIAL LIGHTING	COMMERCIAL LIGHTING
NOMINAL LIFETIME	> 50.000 hours	> 50.000 hours
SOURCE (LED TYPE)	SMD 2835	SMD 2835
IP RATE	IP 40	IP 40

LIGHTING DATA

COLOR TEMPERATURE	3.000K ±100	4.000K ±100
CRI	>85	>85
LUMINOUS FLUX	>5.200 Lm	>5.500 Lm
LLMF (LUMEN MAINTENANCE)	70% AFTER 25.000 hrs	70% AFTER 25.000 hrs
RATED BEAM ANGLE	> 120°	> 120°

ELECTRICAL DATA

SYSTEM POWER	50 W	50 W
START TIME (SECOND)	< 0,5S	< 0,5S
WARM-UP TIME TO 60% LIGHT OUTPUT	INSTANT FULL LIGHT	INSTANT FULL LIGHT
INPUT VOLTAGE	AC 100-277V	AC 100-277V
FREQUENCY	50/60 Hz	50/60 Hz
POWER FACTOR	> 93	> 93
DIMMABLE	AVAILABLE	AVAILABLE
ENERGY SAVING	YES	YES
WORKING TEMPERATURE	-20-45° C	-20-45° C
HUMIDITY	<85%	<85%

DIMENSION

DIMENSION OF THE PRODUCT	ø860X60X68 mm	ø860X60X68 mm
--------------------------	---------------	---------------

COLOR

COLOR OF THE PRODUCT	X=B BLACK	X= W WHITE
----------------------	-----------	------------

APPROVAL & APPLICATIONS CHARS

VDE MARKING	IN PROCESS	IN PROCESS
CE MARKING	YES	YES
UL MARKING	IN PROCESS	IN PROCESS
ROHS COMPLIANCE	YES	YES

PENDANT LIGHT ROUND BIG 63W

PENDANT LIGHT ROUND: ONE OF A KIND

Once installed the environment changes completely.

Two installation options are available: suspended or directly to the ceiling. The new design makes this product the perfect solution for showrooms, commercial areas, markets, museums, hotels, restaurants, etc.



WHITE

PENDANT LIGHT ROUND: UNICA NEL SUO GENERE

Una volta installata l'ambiente cambia completamente.

Si può scegliere se installarla sospesa oppure direttamente sul soffitto.

Il nuovo design rende questo prodotto la soluzione ideale per showroom, aree commerciali, supermercati, musei, hotel, ristoranti, etc.

PENDANT LIGHT ROUND: AUSSERGEWÖHNLICH IN SEINEM GENRE

Einmal installiert, wechselt das Ambiente vollkommen. Man kann auswählen, ob die Lampe hängend oder direkt an der Decke installiert wird. Durch das neue Design ist dieses Produkt ideal für Showrooms, Kaufhäuser, Supermärkte, Museen, Hotels, Restaurants, etc.



C.R.I. COMPARISON



OUR PENDANT LIGHT CRI=85



NORMAL LIGHT C.R.I. 70

TECHNICAL DATA

ARTICLE NUMBER	RL1000-PRBXW	RL1000-PRBXN
NAME OF PRODUCT	PENDANT LIGHT ROUND BIG	PENDANT LIGHT ROUND BIG
INNER CARTON	1	1
MASTER CARTON	1	1
WEIGHT SINGLE PIECE	2,420 Kg	2,420 Kg

GENERAL CHARACTERISTICS

MAIN APPLICATION	COMMERCIAL LIGHTING	COMMERCIAL LIGHTING
NOMINAL LIFETIME	> 50.000 hours	> 50.000 hours
SOURCE (LED TYPE)	SMD 2835	SMD 2835
IP RATE	IP 40	IP 40

LIGHTING DATA

COLOR TEMPERATURE	3.000K ±100	4.000K ±100
CRI	>85	>85
LUMINOUS FLUX	>6.550 Lm	>7.000 Lm
LLMF (LUMEN MAINTENANCE)	70% AFTER 25.000 hrs	70% AFTER 25.000 hrs
RATED BEAM ANGLE	> 120°	> 120°

ELECTRICAL DATA

SYSTEM POWER	63 W	63 W
START TIME (SECOND)	< 0,5S	< 0,5S
WARM-UP TIME TO 60% LIGHT OUTPUT	INSTANT FULL LIGHT	INSTANT FULL LIGHT
INPUT VOLTAGE	AC 100-277V	AC 100-277V
FREQUENCY	50/60 Hz	50/60 Hz
POWER FACTOR	> 93	> 93
DIMMABLE	AVAILABLE	AVAILABLE
ENERGY SAVING	YES	YES
WORKING TEMPERATURE	-20-45° C	-20-45° C
HUMIDITY	<85%	<85%

DIMENSION

DIMENSION OF THE PRODUCT	ø1.060X60X68 mm	ø1.060X60X68 mm
--------------------------	-----------------	-----------------

COLOR

COLOR OF THE PRODUCT	X=B BLACK	X= W WHITE
----------------------	-----------	------------

APPROVAL & APPLICATIONS CHARS

VDE MARKING	IN PROCESS	IN PROCESS
CE MARKING	YES	YES
UL MARKING	IN PROCESS	IN PROCESS
ROHS COMPLIANCE	YES	YES

PENDANT LIGHT ROUND BIG 94W

PENDANT LIGHT ROUND: ONE OF A KIND

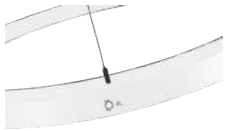
Once installed the environment changes completely. Two installation options are available: suspended or directly to the ceiling. The new design makes this product the perfect solution for showrooms, commercial areas, markets, museums, hotels, restaurants, etc.

PENDANT LIGHT ROUND: UNICA NEL SUO GENERE

Una volta installata l'ambiente cambia completamente. Si può scegliere se installarla sospesa oppure direttamente sul soffitto. Il nuovo design rende questo prodotto la soluzione ideale per showroom, aree commerciali, supermercati, musei, hotel, ristoranti, etc.

PENDANT LIGHT ROUND: AUSSERGEWÖHNLICH IN SEINEM GENERE

Einmal installiert, wechselt das Ambiente vollkommen. Man kann auswählen, ob die Lampe hängend oder direkt an der Decke installiert wird. Durch das neue Design ist dieses Produkt ideal für Showrooms, Kaufhäuser, Supermärkte, Museen, Hotels, Restaurants, etc.



WHITE



C.R.I. COMPARISON



OUR PENDANT LIGHT C.R.I. 85



NORMAL LIGHT C.R.I. 70

TECHNICAL DATA

ARTICLE NUMBER	RL1500-PRBXW	RL1500-PRBXN
NAME OF PRODUCT	PENDANT LIGHT ROUND BIG	PENDANT LIGHT ROUND BIG
INNER CARTON	1	1
MASTER CARTON	1	1
WEIGHT SINGLE PIECE	3,420 Kg	3,420 Kg

GENERAL CHARACTERISTICS

MAIN APPLICATION	COMMERCIAL LIGHTING	COMMERCIAL LIGHTING
NOMINAL LIFETIME	> 50.000 hours	> 50.000 hours
SOURCE (LED TYPE)	SMD 2835	SMD 2835
IP RATE	IP 40	IP 40

LIGHTING DATA

COLOR TEMPERATURE	3.000K ±100	4.000K ±100
CRI	>85	>85
LUMINOUS FLUX	>9.770 Lm	>10.300 Lm
LLMF (LUMEN MAINTENANCE)	70% AFTER 25.000 hrs	70% AFTER 25.000 hrs
RATED BEAM ANGLE	> 120°	> 120°

ELECTRICAL DATA

SYSTEM POWER	94 W	94 W
START TIME (SECOND)	< 0,5S	< 0,5S
WARM-UP TIME TO 60% LIGHT OUTPUT	INSTANT FULL LIGHT	INSTANT FULL LIGHT
INPUT VOLTAGE	AC 100-277V	AC 100-277V
FREQUENCY	50/60 Hz	50/60 Hz
POWER FACTOR	> 93	> 93
DIMMABLE	AVAILABLE	AVAILABLE
ENERGY SAVING	YES	YES
WORKING TEMPERATURE	-20-45° C	-20-45° C
HUMIDITY	<85%	<85%

DIMENSION

DIMENSION OF THE PRODUCT	ø1.560X60X68 mm	ø1.560X60X68 mm
--------------------------	-----------------	-----------------

COLOR

COLOR OF THE PRODUCT	X=B BLACK	X= W WHITE
----------------------	-----------	------------

APPROVAL & APPLICATIONS CHARS

VDE MARKING	IN PROCESS	IN PROCESS
CE MARKING	YES	YES
UL MARKING	IN PROCESS	IN PROCESS
ROHS COMPLIANCE	YES	YES

PENDANT LIGHT ROUND BIG 126W

PENDANT LIGHT ROUND: ONE OF A KIND

Once installed the environment changes completely.

Two installation options are available: suspended or directly to the ceiling. The new design makes this product the perfect solution for showrooms, commercial areas, markets, museums, hotels, restaurants, etc.



WHITE

PENDANT LIGHT ROUND: UNICA NEL SUO GENERE

Una volta installata l'ambiente cambia completamente.

Si può scegliere se installarla sospesa oppure direttamente sul soffitto.

Il nuovo design rende questo prodotto la soluzione ideale per showroom, aree commerciali, supermercati, musei, hotel, ristoranti, etc.

PENDANT LIGHT ROUND: AUSSERGEWÖHNLICH IN SEINEM GENRE

Einmal installiert, wechselt das Ambiente vollkommen. Man kann auswählen, ob die Lampe hängend oder direkt an der Decke installiert wird. Durch das neue Design ist dieses Produkt ideal für Showrooms, Kaufhäuser, Supermärkte, Museen, Hotels, Restaurants, etc.



C.R.I. COMPARISON



TECHNICAL DATA

ARTICLE NUMBER	RL2000-PRB X W	RL2000-PRB X N
NAME OF PRODUCT	PENDANT LIGHT ROUND BIG	PENDANT LIGHT ROUND BIG
INNER CARTON	1	1
MASTER CARTON	1	1
WEIGHT SINGLE PIECE	5,100 Kg	5,100 Kg

GENERAL CHARACTERISTICS

MAIN APPLICATION	COMMERCIAL LIGHTING	COMMERCIAL LIGHTING
NOMINAL LIFETIME	> 50.000 hours	> 50.000 hours
SOURCE (LED TYPE)	SMD 2835	SMD 2835
IP RATE	IP 40	IP 40

LIGHTING DATA

COLOR TEMPERATURE	3.000K ±100	4.000K ±100
CRI	>85	>85
LUMINOUS FLUX	>13.100 Lm	>13.860 Lm
LLMF (LUMEN MAINTENANCE)	70% AFTER 25.000 hrs	70% AFTER 25.000 hrs
RATED BEAM ANGLE	> 120°	> 120°

ELECTRICAL DATA

SYSTEM POWER	126 W	126 W
START TIME (SECOND)	< 0,5S	< 0,5S
WARM-UP TIME TO 60% LIGHT OUTPUT	INSTANT FULL LIGHT	INSTANT FULL LIGHT
INPUT VOLTAGE	AC 100-277V	AC 100-277V
FREQUENCY	50/60 Hz	50/60 Hz
POWER FACTOR	> 93	> 93
DIMMABLE	AVAILABLE	AVAILABLE
ENERGY SAVING	YES	YES
WORKING TEMPERATURE	-20-45° C	-20-45° C
HUMIDITY	<85%	<85%

DIMENSION

DIMENSION OF THE PRODUCT	ø2.060X60X68 mm	ø2.060X60X68 mm
--------------------------	-----------------	-----------------

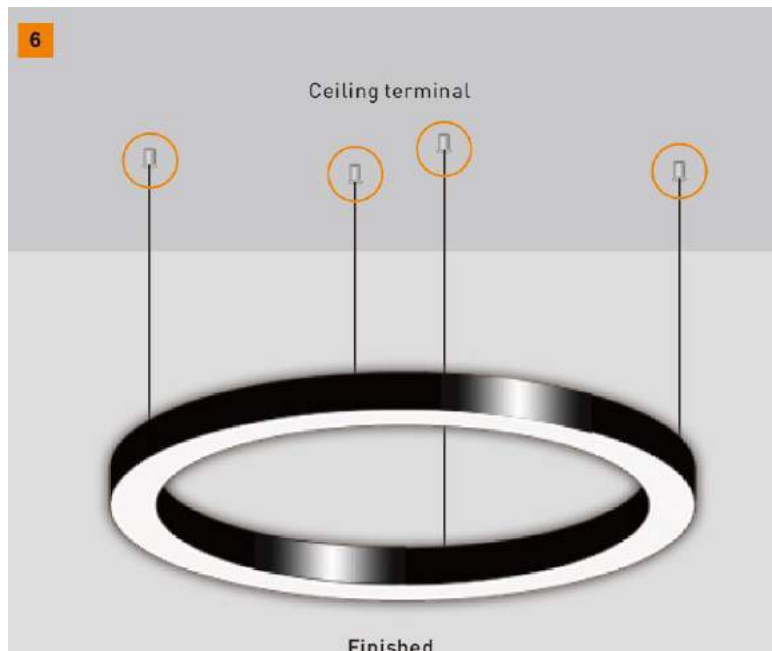
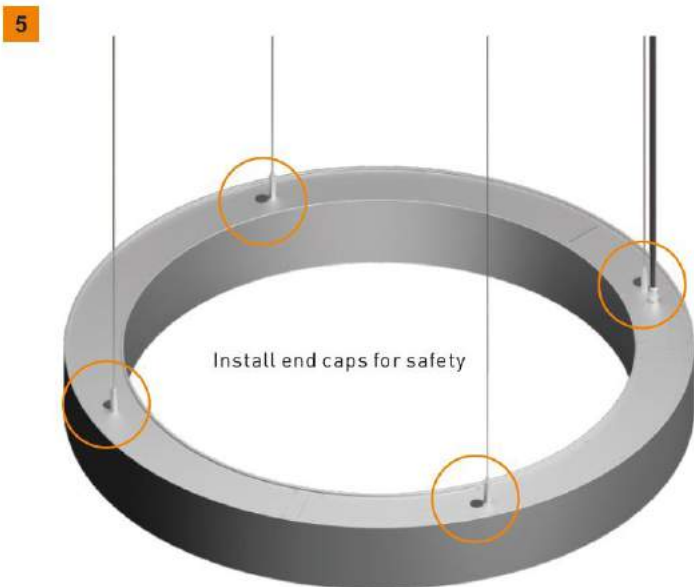
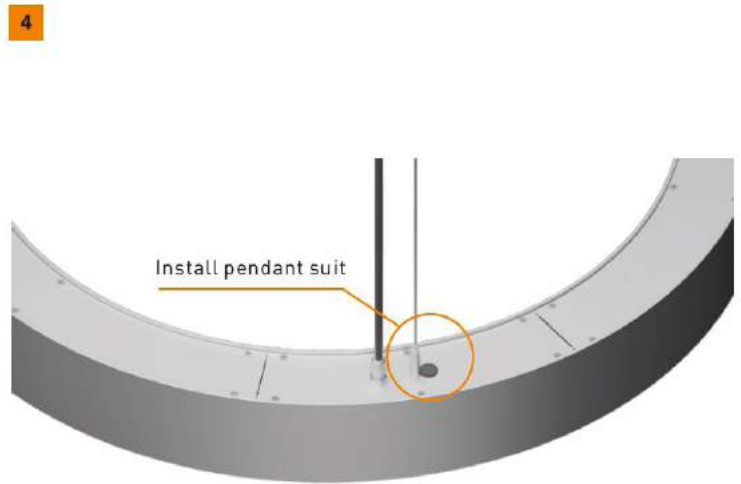
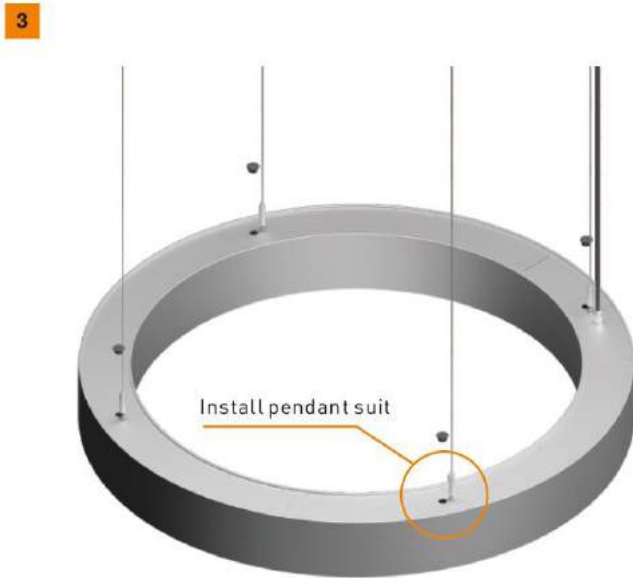
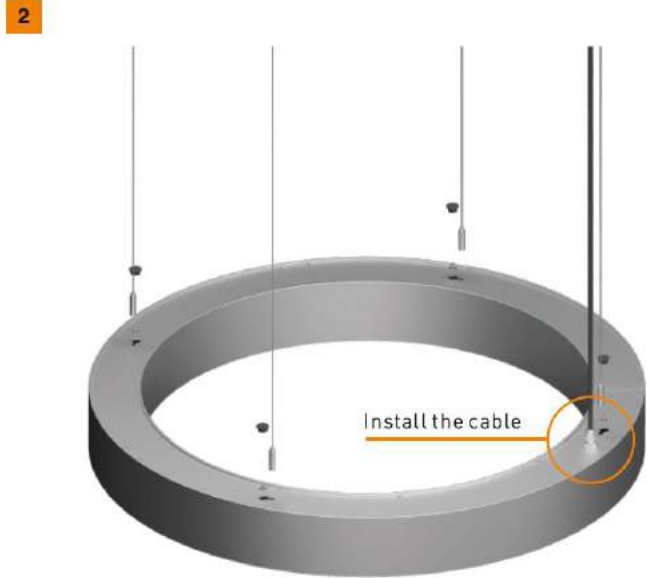
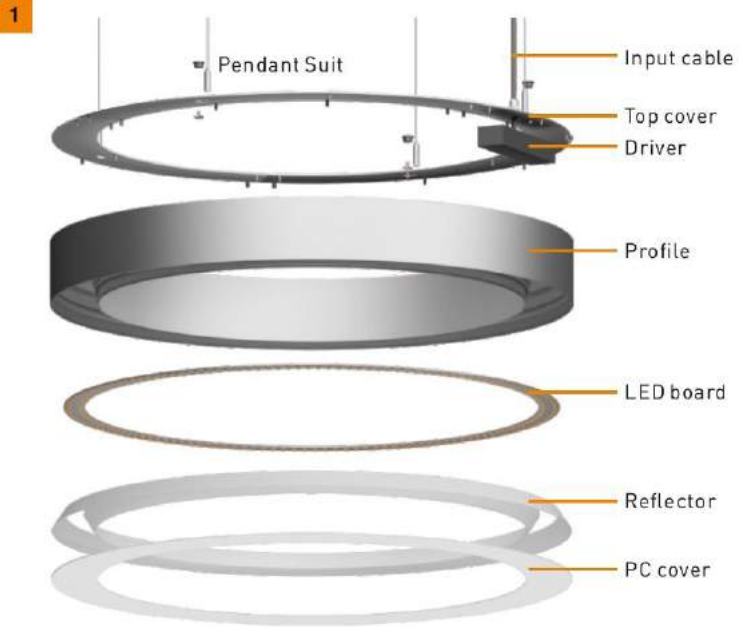
COLOR

COLOR OF THE PRODUCT	X=B BLACK	X= W WHITE
----------------------	-----------	------------

APPROVAL & APPLICATIONS CHARS

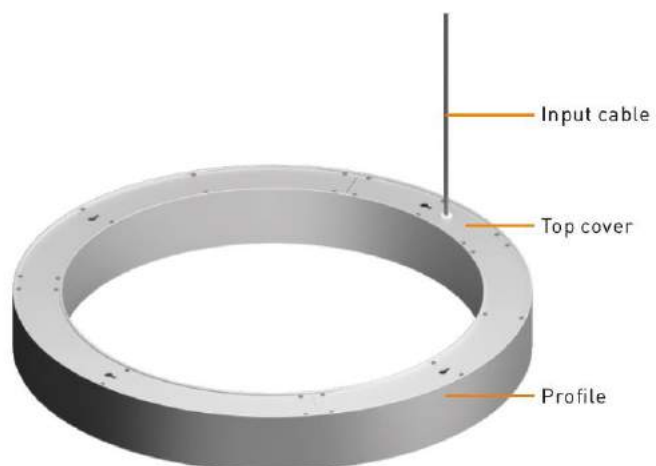
VDE MARKING	IN PROCESS	IN PROCESS
CE MARKING	YES	YES
UL MARKING	IN PROCESS	IN PROCESS
ROHS COMPLIANCE	YES	YES

INSTALLATION-PENDANT

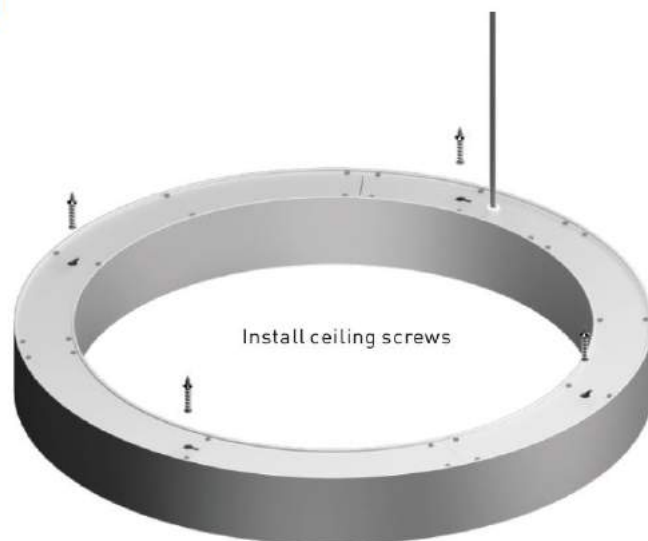


INSTALLATION-CEILING

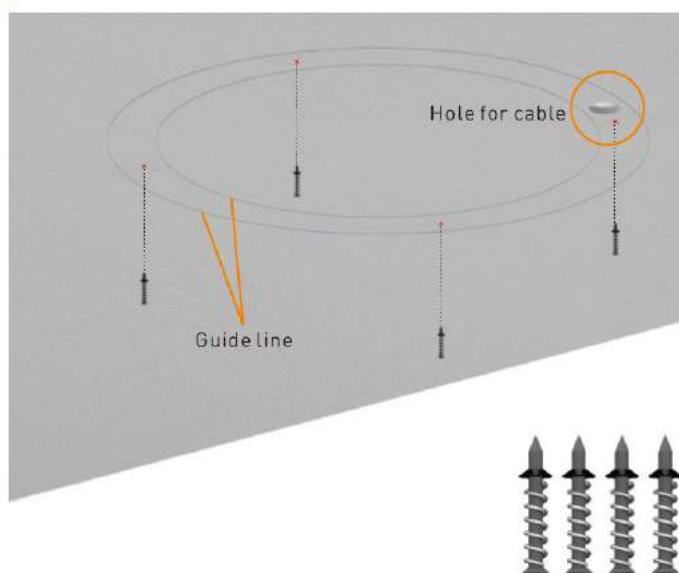
1



2



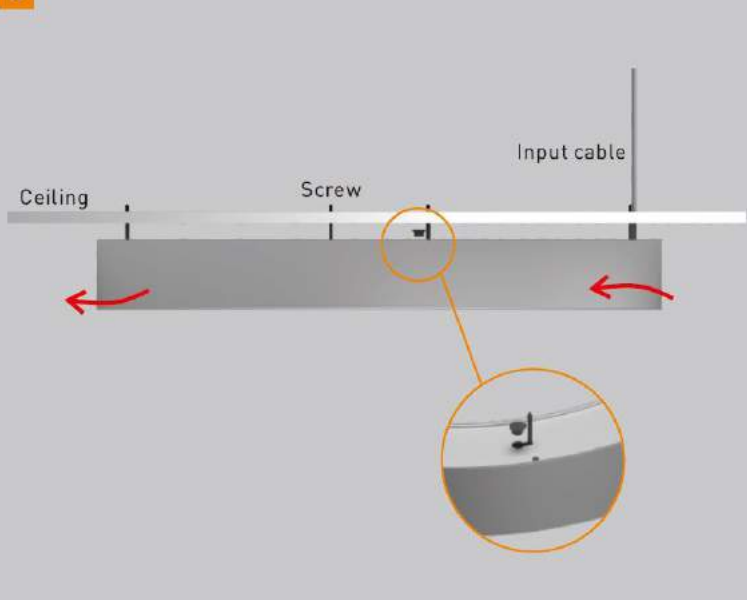
3



4



5



6

