



LED Downlight

DL201

Introduction



DL201 downlight with traditional deep reflector (UGR<19) that provides perfect combination of high lighting efficiency, comfortable lighting and humanization design, without compromising on light performance (color rendering and color uniformity); It offers a wide option for creating the desired ambience.

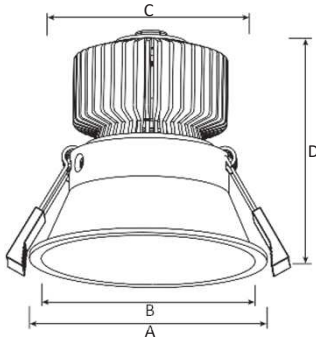
Features

1. UGR<19, anti glare design with deep reflector.
2. Supreme 6063 aluminum heat sink provides excellent thermal management.
3. External driver.
4. Easy for installation and maintenance.

Application Areas

It is suitable for supermarket, specialty store, show window, exhibition hall; etc.





Measurement

Model	Dimension(mm)				Size(mm)	Product Weight (Kg)		Package weight (Kg)		Carton Size(cm)	Qty/CTN	20GP (pcs)	40HQ (pcs)
	A	B	C	D		N.W/PC	G.W/PC	N.W/CTN	G.W/CTN				
2.5"-A	80	72	75	87	Ø80*87	0.26	0.27	9.36	11.2	65*36.5*28.5	36	16128	36612
2.5"-B	85	73	75	81	Ø85*81	0.27	0.37	9.7	14.8	65*36.5*28.5	36	16128	36612
3"	100	90	90	94	Ø100*94	0.315	7.56	0.415	11.5	50*38*29	24	12288	28728
3.5"	105	96	100	145	Ø105*145	0.375	0.525	9	14	54*41*38	24	8640	20160

Technical Data Sheet

Model No.	DL201A-2.5-10W		DL201B-2.5-10W		DL201-3-13W		DL201-3.5-13W	
Watt(W)	10W		10W		13W		13W	
Dimension(mm)	Ø80*87		Ø85*81		Ø100*94		Ø105*145	
Cutout(mm)	Ø75		Ø75		Ø90		Ø100	
Rated Input Voltage(V)	AC230V							
Input Voltage(V)	AC200-240V							
LED	COB							
SDCM	<6							
CCT(K)	1-CCT: 2700K / 3000K / 4000K / 5000K							
"Luminous Flux (lm) ±5%"	1-CCT	Non-DIM	710~910	710~910	970~1170	870~1100		
		DIM	700~900	700~900	920~1120	850~1080		
CRI	>80							
Beam Angle (°)	36°							
LED Driver	Built-out							
DIM	Yes							
Protection Class	Class II							
IP Rating	IP40							
IK Rating	IK06							
Finishing color	Black RAL9005 / White RAL 9016							
Material	Aluminum							
Lifetime (hr)	50,000h							
Glow wire test (°C)	850°C							
Operating Temp.(°C)	-20°C ~45°C							
Storage Temp.(°C)	-20°C ~65°C							
Installation	Recessed							
Brand Driver option	Philips, Tridonic, Meanwell							

Driver Datasheet (Non-dimmable)

Power	10W	13W
Rated Input Voltage(V)	AC230V	
Frequency	50/60Hz	
Input Voltage	AC200-240V	
Efficiency	≥79%	≥82%
Total load wattage	10W±1W	13W±1W
Power Factor	0.9	
Rated Input Current	≤0.06A	≤0.08A
Full load output voltage	DC28-40V	DC28-40V
Rated output current	230mA	300mA
Output current range	230mA±5%	300mA±5%
Power tolerance	5%	
Current output tolerance	5%	
Short circuit protection	PASS	
Over voltage protection	PASS	
Over temperature protection	PASS	
THD	<20% @ 230V	
Surge	L-N 0.5KV	
Withstand voltage	AC3750V	

Driver Datasheet (Triac Dimmable)

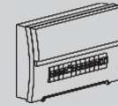
Power	10W	13W
Rated Input Voltage(V)	AC230V	
Frequency	50Hz	
Input Voltage	AC200-240V	
Efficiency	≥82%	≥82%
Total load wattage	10W±1W	13W±1W
Power Factor	0.85	0.9
Rated Input Current	≤0.06A	≤0.08A
Full load output voltage	DC23-40V	DC23-40V
Rated output current	230mA	280mA
Output current range	230mA±5%	280mA±5%
Power tolerance	5%	
Current output tolerance	5%	
Dimming Range	10%-100%	
Short circuit protection	PASS	
Over voltage protection	PASS	
Over temperature protection	PASS	
THD	-	
Surge	L-N 0.5KV	
Withstand voltage	AC3750V	

Installation Procedure

WARNING



1. Switch off before installation.
2. Switch on only after complete installation and examination of the circuit.
3. Professional electrician for installation and maintenance only.

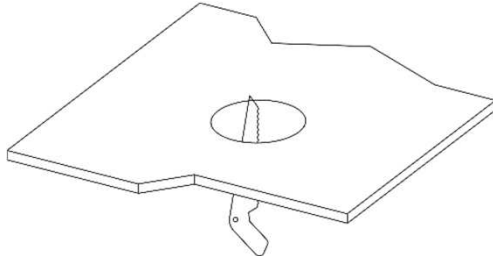


Turn Off
Power Supply

Turn Off power supply before starting any installation. Read instructions & check you have all the tools & accessories to complete the installation correctly.

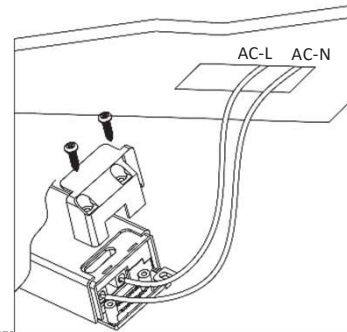
How to install

Step 1



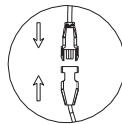
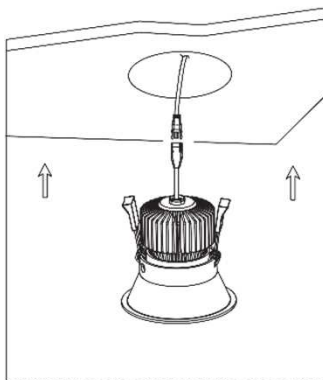
Open a hole according to the cutout size of led downlight.

Step 2



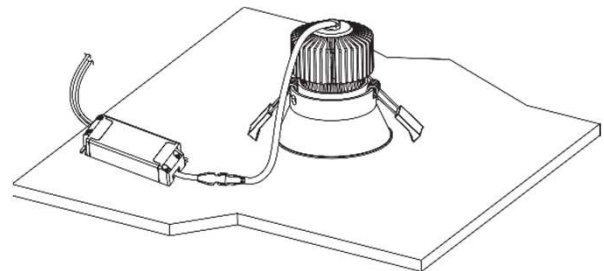
Use screw-driver to open the driver terminal cover, feed the main AC wire L, N, in terminal block respectively, then fix the cover back.

Step 3



Connect the downlight with driver, hold back the spring clip then push the downlight into the hole.

Step 4



Connect the downlight with driver, hold back the spring clip then push the downlight into the hole.