

Entry / ECO

Standard / STD

Professional / PRO

ODM & OEM

Intelligent / INT

PRO

Specifications



LED Track Light  
TL112 Series



## Introduction

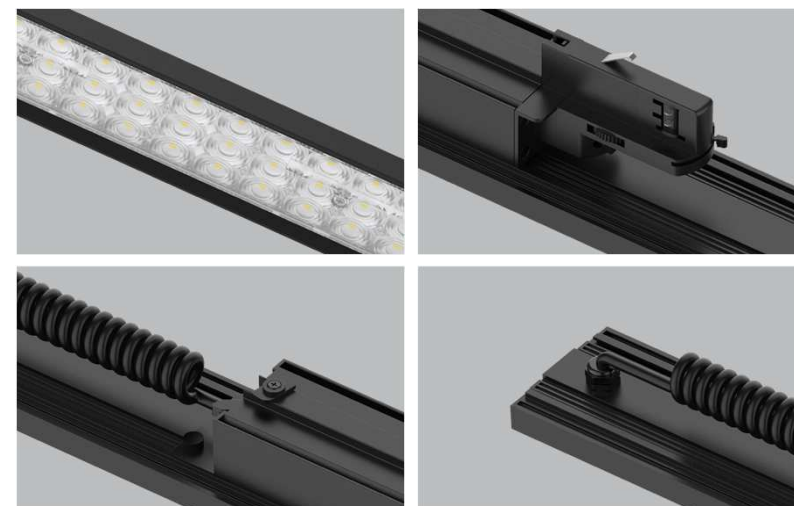
This is a new seamless linear track lighting system, which is totally different from the traditional LED trunking system light. It has thin body, light weight and compact structure, suitable for European standard three-circuit track system, which is convenient for group control management. For optic design, it uses PMMA lens optics 30°, 60°, 90°, double asymmetric 20° for options. AL6063 aluminum housing offers a great thermal management and ensure a long lifespan.

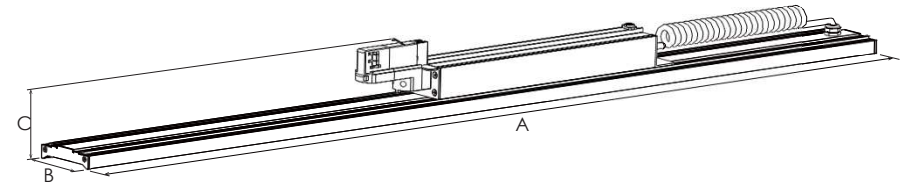
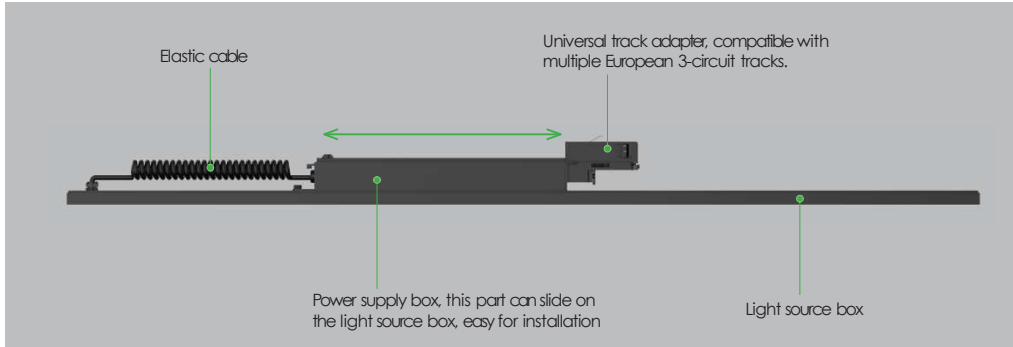
## Features

- With elastic cable at the side, can be adjusted 300mm.
- For indoor use only, IP20.
- Beam angle options: 30°/ 60°/ 90°/ Double Asymmetrical 20°.
- Easy Installation: Exposed track adaptor, easy to switch and check circuit selection.
- High lumen efficiency, 40W has 120lm/W @4000K, 60W is 110lm/W @4000K.
- Finished color: Black/White.
- Long lifespan with flicker free driver, built-in.

## Application Areas

It is suitable for brand authorized store, exhibition hall, shopping mall, jewelry store, supermarket etc.





## Technical Data Sheet

Code No.	TL112-40W	TL112-60W		
Dimension(mm)	1152*80*85			
Cutout (mm)	-			
Watt(W)	40W	60W		
Rated Input Voltage(V)	230V			
Input Voltage(V)	AC220-240V			
LED Module Input	-			
Light Source	SMD			
SDCM	< 6			
CCT(K)	1-CCT: 3000K/4000K/5000K/5700K			
CCT Selection DIP Switch	NO			
Luminous Flux (lm) ±5%	Non-DIM DIM	1-CCT	4500-5100/3000-3650(Double Asymmetric20°)	6500-7150/4800-5650(Double Asymmetric20°)
		3-CCT	-	-
	Non-DIM DIM	3-CCT	-	-
		3-CCT	-	-
CRI	CRI80			
Beam Angle (°)	30°/60°/90°/Double Asymmetric20°			
UGR	-			
LED Driver	built-in			
Dimming Option	NO			
Sensor	NO			
Emergency Kits	NO			
Electrical Class	Class I			
Ingress Protection (IP Rating)	IP20			
Impact Resistance (IK Rating)	-			
Product Finishing(Base)	Black RAL9005 / White RAL9016			
Materials of Optics	PMMA			
Materials of Housing	Aluminium			
Lifetime (hr)	50,000h			
Glow wire test (°C)	650°C			
Operating Temp. (°C)	-20°C~40°C			
Storage Temp. (°C)	-20°C~65°C			
Installation	Track			

## Measurement

Code	Dimension(mm)			Size (mm)	Product Weight (Kg)		Package weight (Kg)		Carton Size (cm)	Qty/CTN	20GP (pcs)	40HQ (pcs)
	A	B	C		N.W/PC	G.W/PC	N.W/CTN	G.W/CTN				
TL112-40W	1152	80	85	1152*80*85	2.17	2.71	13.02	17.34	119*30.5*23	6	1860	4356
TL112-60W	1152	80	85	1152*80*85	2.17	2.71	13.02	17.34	119*30.5*23	6	1860	4356

## Driver Datasheet (Non-Dimmable)

		Total load wattage	40W	60W
Output	Output Voltage range	DC28-42V		
	Rated output current	1000mA		1500mA
	Line Regulation	±5%		
	Setup, Rise Time	≤0.5S		
	Flickering Index	<10%		
Input	Input Voltage	180-265VAC		
	Rated Input Voltage(V)	220-240VAC		
	Frequency	50/60HZ		
	Input Current	≤0.23A		≤0.34A
	Rated Input Current	≤0.21A		≤0.31A
	Power Factor	0.9		
	THD	<20% @230V		
	Efficiency	≥87%		
	No load wattage	<0.5W		
Protection	Short circuit protection	PASS		
	Over voltage protection	PASS		
	Over temperature protection	PASS		
Safety & EMC	Withstand voltage	I/P-O/P:3.75kVac,<5mA 60S		
	Isolation Resistance	I/P-O/P: 500VDC, ≥100M Ω		
	Surge	IEC/EN61000-4-5( P<25W; L-N:500V, L/N-PE:1KV); IEC/EN61000-4-5 (P≥25w L-N:1KV, L/N-PE:2KV)		
	EMC Emission	EN55015, EN61000-3-2		
	EMC Immunity	EN61000-4-2,3,4,5,6,8,11; EN61547		

## Installation Procedure

### WARNING

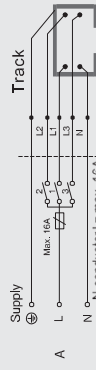
1. Switch off before installation.
2. Switch on only after complete installation and examination of the circuit.
3. Professional electrician for installation and maintenance only.



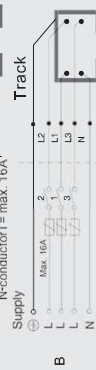
Turn Off  
Power Supply

## Wiring Diagram (Please select according to the actual product)

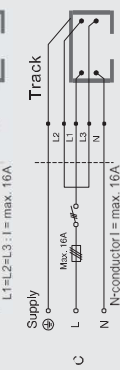
### 4-wires, 3-circuit



1-phase, 3-circuit,  
230V AC,  
16A, 3.7kVA

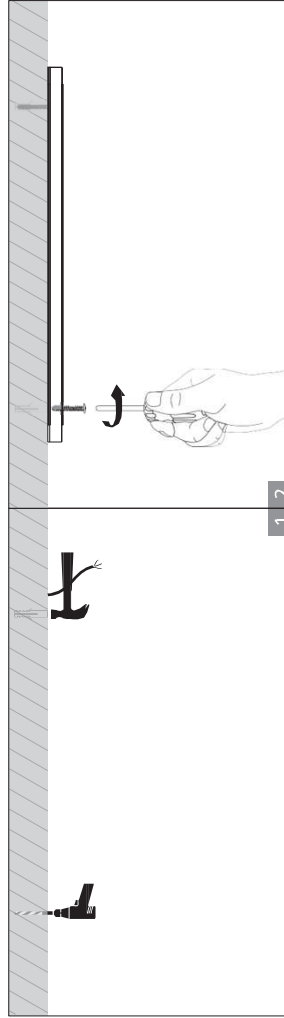


3-phase, 3-circuit,  
230/400V AC,  
16A, 3x3.7kVA

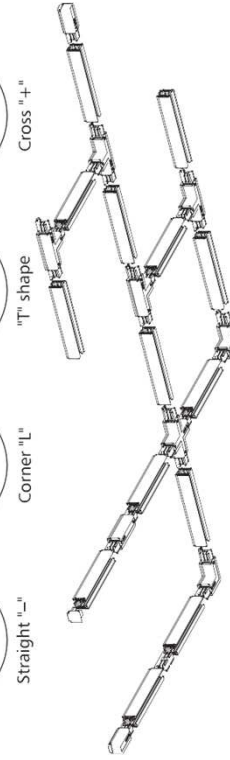
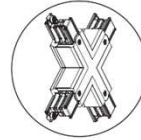
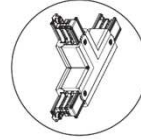
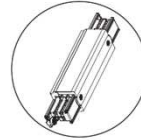


3-phase, 3-circuit,  
230/400V AC,  
16A, 11.1kVA

## Installation for track



1

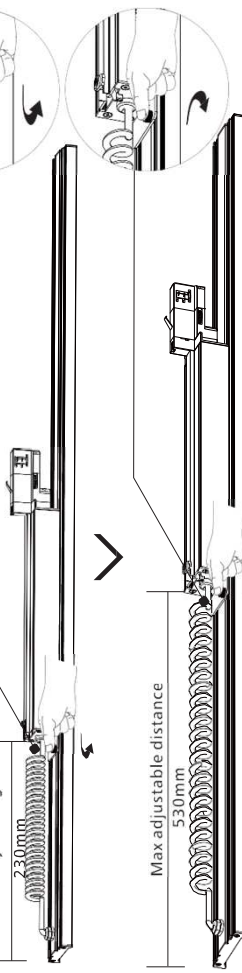


Note: Do not install in the place near heat source, or in corrosive gas environment.

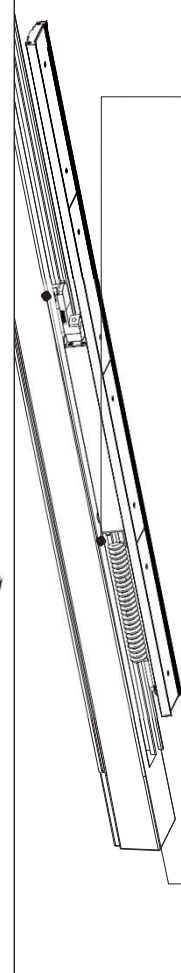
## Installation

Unscrew the screw to adjust driver box position,  
then lock the screw.

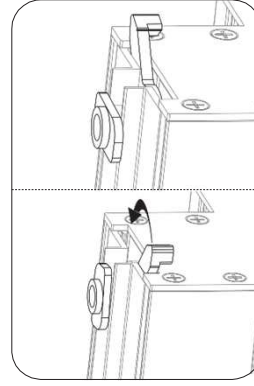
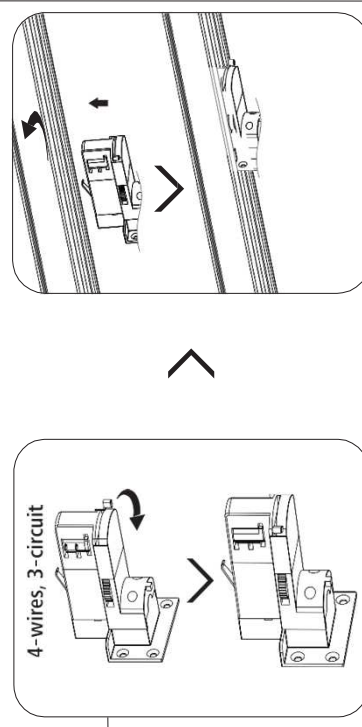
Factory setting



Max adjustable distance  
530mm



4-wires, 3-circuit





**RL Europe**  
Your partner in LED

[www.rleurope.ch](http://www.rleurope.ch)

[info@rleurope.ch](mailto:info@rleurope.ch)

TEL: +41 (0)91 6832255

Add: via E. Bossi 12/B, CH-6830 Chiasso (TI)