

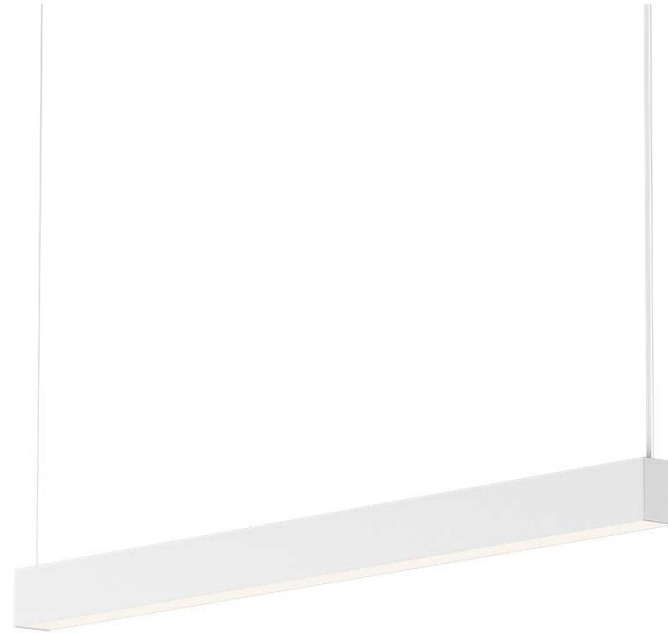
Entry / ECO

Standard / STD

Professional / PRO

ODM & OEM

Intelligent / INT



LED Batten
DB77A(UGR) Series



Introduction

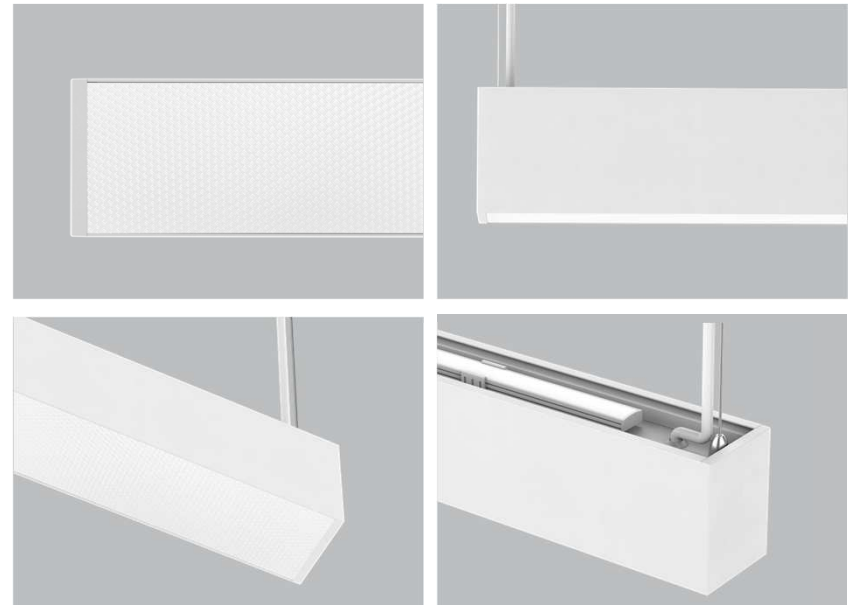
This linear fixture is a seamless splicing design with straight/corner/cross splicing connector, it can realize a very convenient connection with male and female plug. Two lamp cover options: Standard cover and DIY soft cover. Adopt high lumen SMD light source, flicker free and high efficiency driver make a better lumen. Aluminum housing provides an excellent thermal management. Functions: Down lighting, up&down lighting, adjustable CCT, emergency and sensor. Mounting design: Pendant/surface mounted/wall mounted/recessed/Track. Modular design: Replaceable driver and emergency module.

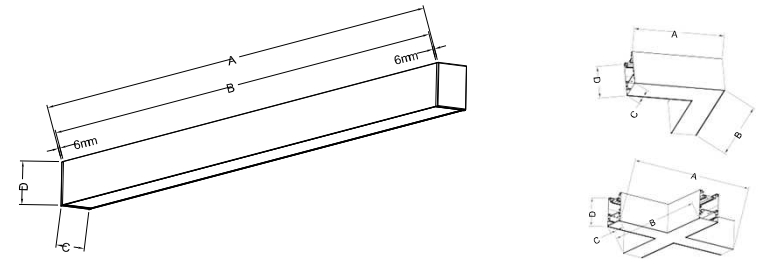
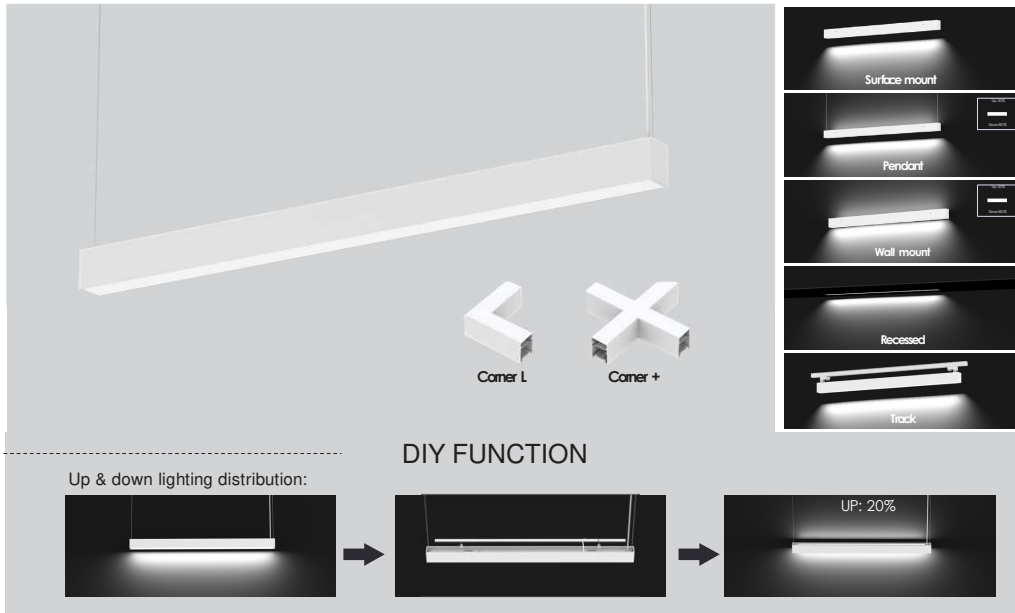
Features

- Multiple installation: Pendant/surface mounted/wall mounted/recessed/Track.
- Modular design with convenient replacement.
- High lumen efficiency, 90LM/W.
- Interchangeable CCT (3000/4000/5700k) with slide switch.
- Non dim/DALI/0-10V dim flicker free driver.
- With emergency and sensor function.
- Up and down light effect for wall mount and pendant installation.
- With Straight/corner/ cross shaped connectors, can do seamless splicing UGR19 (for up&down lighting distribution).

Application Areas

This linear fixture is widely used in shopping mall, office, car park, station, home.





Measurement

Code	Dimension(mm)					Size(mm)	Product Weight (Kg)		Package weight (Kg)		Carton Size(cm)	Qty/ CTN	20GP (pcs)	40HQ (pcs)
	Feet	A	B	C	D		N.W/PC	G.W/PC	N.W/CTN	G.W/CTN				
1200	4'	1212	1200	57	76	1212*57*76	2.7	3.2	16.2	20.2	127*31*25.5	6pcs	1710	4074
1500	5'	1512	1500	57	76	1512*57*76	3.5	4.2	21	26.5	157*31*25.5	6pcs	1374	3204
L	-	200	200	57	76	200*200*76	0.65	0.9	7.8	12	51*44*23	12pcs	6840	15948
X	-	343	343	57	76	343*343*76	1.1	1.3	6.6	8.8	51*36.5*37	6pcs	2484	6006

Technical Data Sheet

Code No.	DB77A-1200-36W	DB77A-1200-45W	DB77A-1500-45W	DB77A-1500-56W		
Dimension(mm)	1212*57*76		1512*57*76			
Cutout (mm)	-					
Watt(W)	36	45	45	56		
Rated Input Voltage(V)	AC200-240V					
Input Voltage(V)	AC180-264V					
LED Module Input	-					
Light Source	SMD					
SDCM	<6 (@3000K 4000K 5000K)					
CCT(K)	1-CCT: 3000K/4000K/5000K 3-CCT: 3000K + 4000K + 5000K					
CCT Selection DIP Switch	YES					
Luminous Flux (lm) ±5%	Non-DIM	1-CCT	3050-3400	4000-4500	3900-4400	5000-5700
	DIM	1-CCT	3000-3350	3900-4400	3800-4300	4900-5600
Luminous Flux (lm) ±5%	Non-DIM	3-CCT	3050-3450	4000-4600	3900-4500	5000-5800
	DIM	3-CCT	3000-3400	3900-4500	3800-4400	4900-5700
CRI	80					
Beam Angle (°)	75°	UP 110° / Down 75°	75°	UP 110° / Down 75°		
UGR	UGR19(for up&down lighting distribution)					
LED Driver	Built-in					
Dimming Option	Non-dimmable/0-10V/DALI					
Sensor	Yes					
Emergency Kits	Yes					
Electrical Class	Class I					
Ingress Protection (IP Rating)	IP20					
Impact Resistance (IK Rating)	-					
Product Finishing(Base)	White RAL 9016 / Black RAL 9005					
Materials of Optics	PC					
Materials of Housing	Aluminum					
Lifetime (hr)	50,000h					
Glow wire test (°C)	750°C(Cover)					
Operating Temp. (°C)	-20°C~45°C					
Storage Temp. (°C)	-20°C~65°C					
Installation	Surface mount/ Suspended/ Wall mounted/Recessed/Track					

Driver Datasheet(Non-dimmable)

Total load wattage		45W	56W
Output	Output Voltage range	DC 3-42V	
	Rated output current	1100mA	1350mA
	Line Regulation	±5%	
	Setup, Rise Time	≤0.5S/230VAC	
	Flickering Index	5%	
Input	Input Voltage	AC200-240V	
	Rated Input Voltage(V)	AC180-264V	
	Frequency	47-63Hz	
	Input Current	<0.35A	<0.4A
	Rated Input Current	0.26A	0.32A
	Power Factor	>0.9	
	THD	<10% @ 230VAC	
Protection	Efficiency	≥86	
	No load wattage	<1W	
	Short circuit protection	Pass	
Safety & EMC	Over voltage protection	Pass	
	Over temperature protection	Pass	
	Withstand voltage	I/P-O/P:3750VAC,I/P-FG:1750VAC,O/P-FG:500VAC	
Safety & EMC	Isolation Resistance	I/P-O/P: 500VDC, ≥100M Ω	
	Surge	IEC/EN61000-4-5 (L-N:1KV, L/N-PE:2KV)	
	EMC Emission	IEC/EN55015, IEC/EN61000-3-2	
	EMC Immunity	IEC/EN61000-4-2,3,4,5,6,8,11; IEC/EN61547	

Driver Datasheet(DALI)

Total load wattage		45W	56W
Output	Output Voltage range	DC 3-42V	
	Rated output current	1100mA	1350mA
	Line Regulation	±5%	
	Setup, Rise Time	≤0.5S/230VAC	
	Flickering Index	5%	
Input	Input Voltage	AC200-240V	
	Rated Input Voltage(V)	AC180-264V	
	Frequency	47-63Hz	
	Input Current	<0.35A	<0.45A
	Rated Input Current	0.26A	0.32A
	Power Factor	>0.9	
	THD	<10% @ 230VAC	
	Efficiency	≥88	
	No load wattage	<1W	
	Protection	Short circuit protection	Pass
Over voltage protection		Pass	
Over temperature protection		Pass	
Safety &EMC	Withstand voltage	I/P-O/P:3750VAC,I/P-FG:1750VAC,O/P-FG:500VAC	
	Isolation Resistance	I/P-O/P: 500VDC, ≥100M Ω	
	Surge	IEC/EN61000-4-5 (L-N:1KV, L/N-PE:2KV)	
	EMC Emission	IEC/EN55015, IEC/EN61000-3-2	
	EMC Immunity	IEC/EN61000-4-2,3,4,5,6,8,11; IEC/EN61547	

Driver Datasheet(1-10v)

Total load wattage		45W	56W
Output	Output Voltage range	DC 3-42V	
	Rated output current	1100mA	1350mA
	Line Regulation	±5%	
	Setup, Rise Time	≤0.5S/230VAC	
	Flickering Index	5%	
Input	Input Voltage	AC200-240V	
	Rated Input Voltage(V)	AC180-264V	
	Frequency	47-63Hz	
	Input Current	<0.35A	<0.45A
	Rated Input Current	0.26A	0.32A
	Power Factor	>0.9	
	THD	<10% @ 230VAC	
	Efficiency	≥88	
	No load wattage	<1W	
	Protection	Short circuit protection	Pass
Over voltage protection		Pass	
Over temperature protection		Pass	
Safety &EMC	Withstand voltage	I/P-O/P:3750VAC,I/P-FG:1750VAC,O/P-FG:500VAC	
	Isolation Resistance	I/P-O/P: 500VDC, ≥100M Ω	
	Surge	IEC/EN61000-4-5 (L-N:1KV, L/N-PE:2KV)	
	EMC Emission	IEC/EN55015, IEC/EN61000-3-2	
	EMC Immunity	IEC/EN61000-4-2,3,4,5,6,8,11; IEC/EN61547	

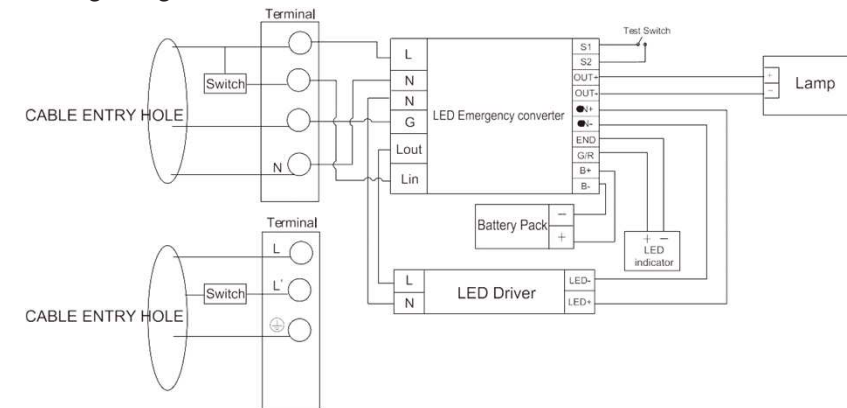
Driver Datasheet (Sensor)

Sensor datasheet	
Operating voltage	220-240VAC 50/60Hz
Power consumption	1.5W±0.5W
Microwave frequency	5.8GHz±75MHz, ISM wave band
Transmission power	<0.5mW
Detection angle	140°
Detection Area	100%/75%/50%/25%(4-7M)
Hold time	5S/30S/90S/5Min/20Min/30Min
Daylight sensor	2lux/10lux/30lux/50lux/Disable
Stand-by DIM Level	-
Stand-by Period	-
Dimming Range	-
Microwave ON/OFF function	-
Installation Height	Recommended Installation Height: 1.8m Ceiling mounted height 3m.
Operating temperature(°C)	-20°C~60°C

Driver Datasheet (Emergency)

Power		3W
Rated Input Voltage(V)	AC230V	
Frequency	50/60Hz	
Input Voltage	AC200-240V	
Total load wattage	3W±0.5W	
Rated Input Current	≤0.023A	
Battery	6.4V 1500mAh (LifePO4)	
Lifetime	Over 2000 cycles	
Battery duration	≥3hrs	
Charge Period	≤24hrs	
Emergency switching time	≤1S	

Wiring Diagram:



Cable connection

Mark	Description	Building wiring cable
L'	Switched Active	Switch cable
L	Unswitched Active	Unswitch cable
	Earth	Earth cable
N	Neutral	Neutral cable

Daylight & Microwave Sensor:

Sensor Setting:

Detection area

1	2	
ON	ON	100%
-	ON	75%
ON	-	50%
-	-	25%

Detection area:

Detection area can be reduced by selecting the combination on the DIP switches to fit precisely each application.

Notice 1: The test is based on a height of 3m, the radius is the ground detect distance, which can be selected through the slide switch.

Notice 2: The detect range is measured by human body whose stature is around 1.6-1.7M with medium size and traveling speed is around 1.0-1.5M per second. If the stature, bodily form and traveling speed are changed, then the detect range will be changed accordingly.

Notice 3: Test result will be highly influenced by test environment, the more open environment, the closer detect distance; the narrower environment, the longer detect distance. The detector may do self-excitation in a narrow environment.

Hold time

3	4	5	
ON	ON	ON	5S
-	ON	ON	30S
ON	-	ON	90S
-	-	ON	5min
ON	ON	-	20min
-	-	-	30min

Hold time:

Refers to the time period the lamp remains at 100% illumination after no motion detected.

Notice 1: The hold time can be selected by the slide switch.

The hold time counting should be started after the sensor is powered on and initialized.

Daylight sensor

6	7	8	
ON	ON	ON	2Lux
ON	ON	-	10Lux
-	ON	-	30Lux
ON	-	-	50Lux
-	-	-	Disable

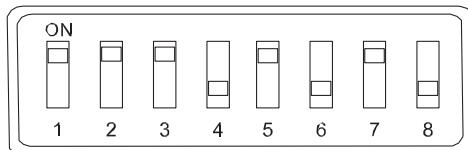
Daylight sensor:

The sensor can be set to only allow the lamp to illuminate below a defined ambient brightness threshold. When set to Disable mode, the daylight sensor will switch on the lamp when motion is detected regardless of ambient light level.

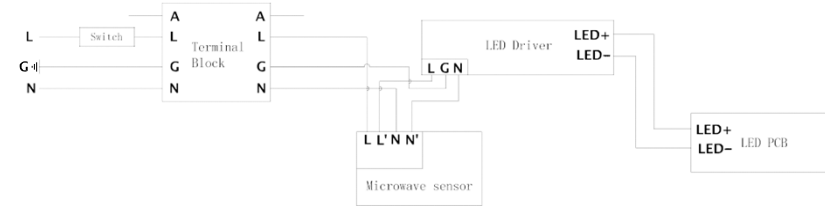
Notice 1: The light threshold can be selected through the slide switch, it may cause a large deviation in different lamps.

Factory settings:

Detection Area	Hold Time	Daylight Sensor
100%	90S	30Lux

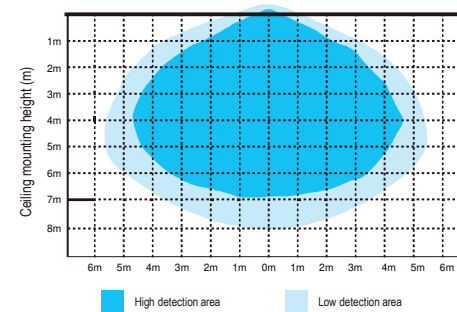


Wiring Diagram:

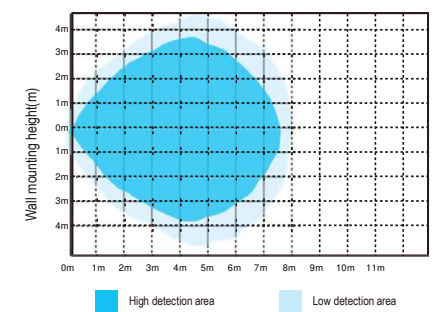


Induction Range

Ceiling Mounting pattern(Unit: m)



Wall Mounting pattern(Unit: m)



Installation Procedure

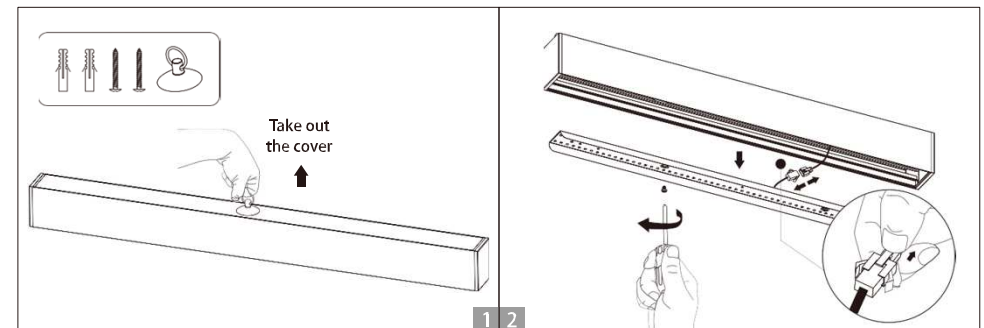
WARNING

1. Switch off before installation.
2. Switch on only after complete installation and examination of the circuit.
3. Professional electrician for installation and maintenance only.

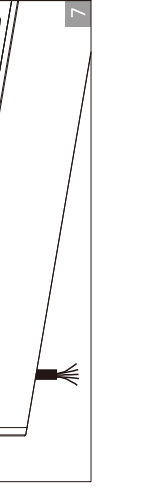
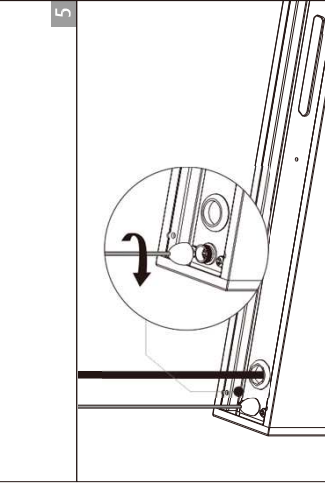
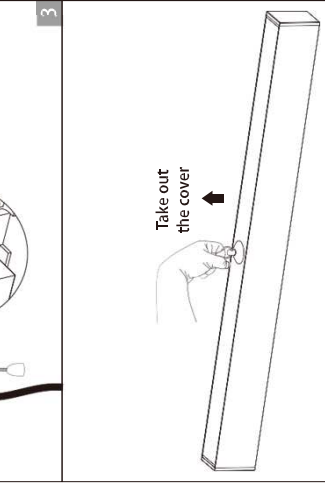
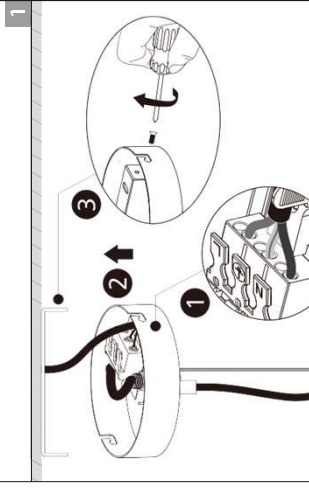
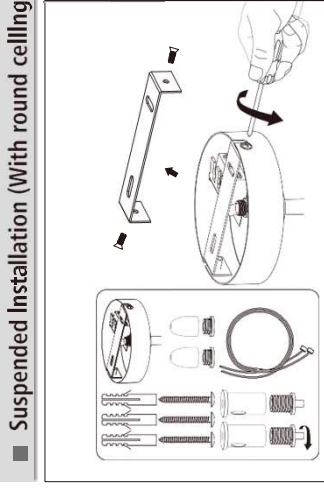
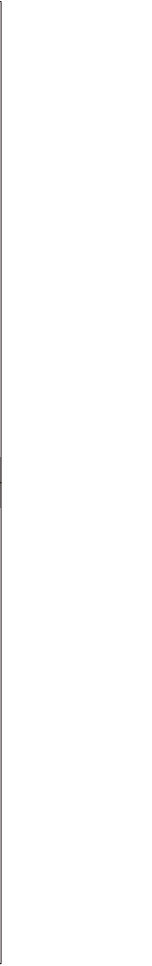
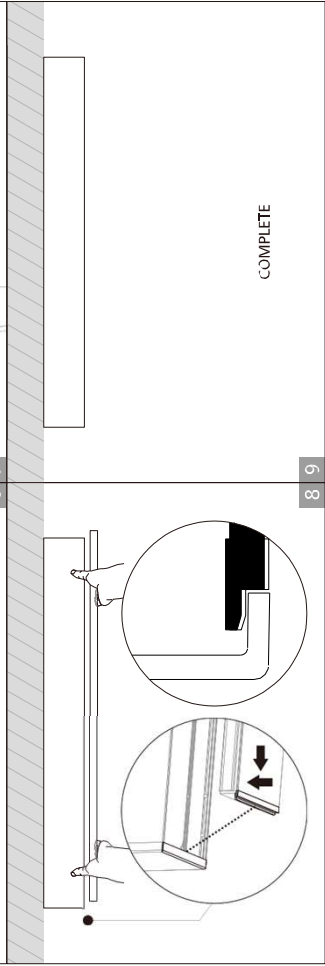
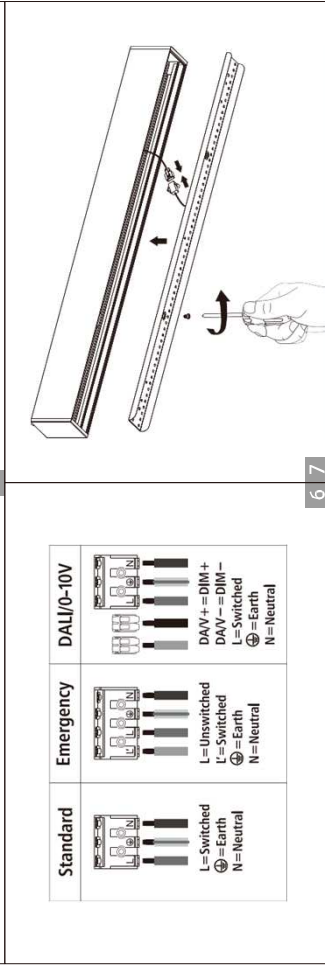
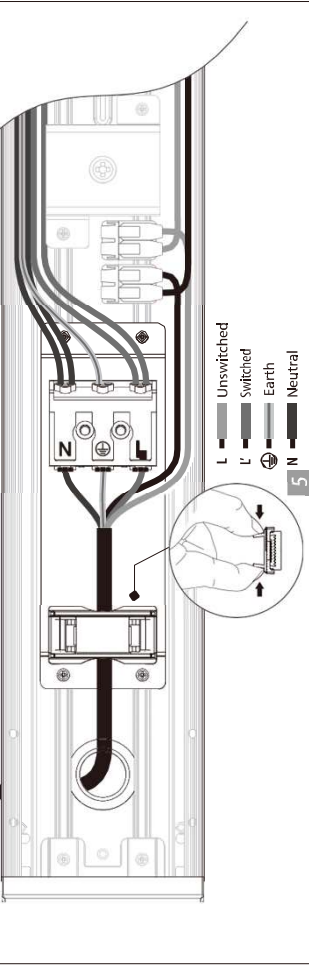
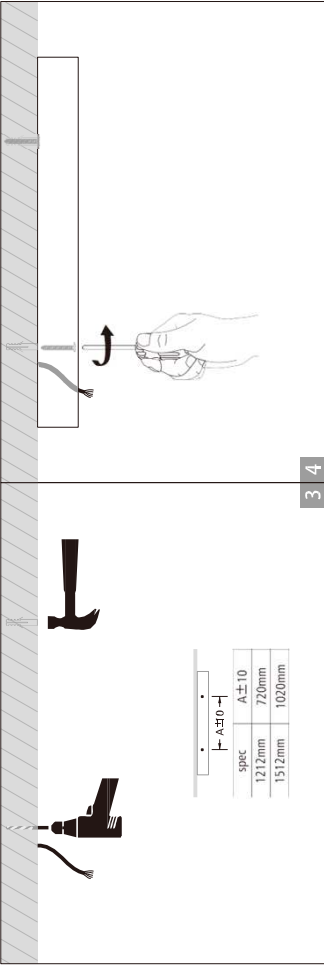


Turn Off power supply before starting any installation. Read instructions & check you have all the tools & accessories to complete the installation correctly.

Surface mounted Installation



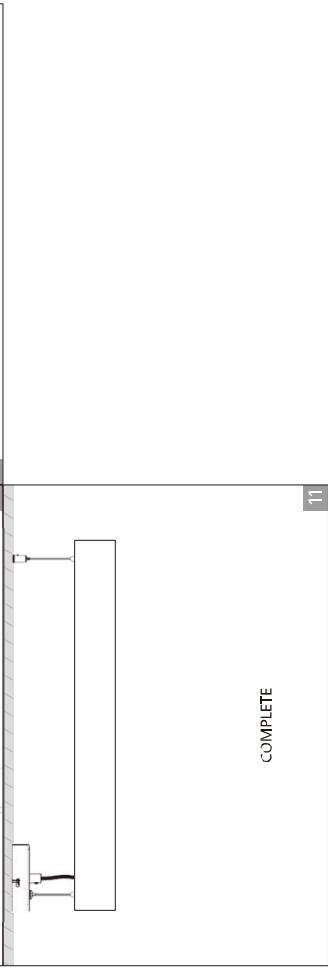
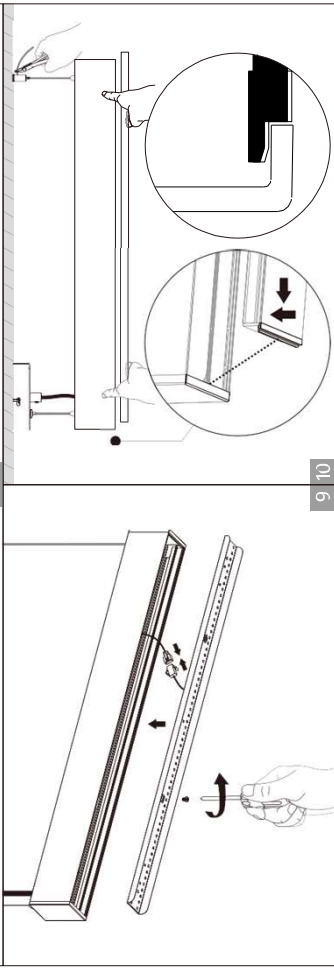
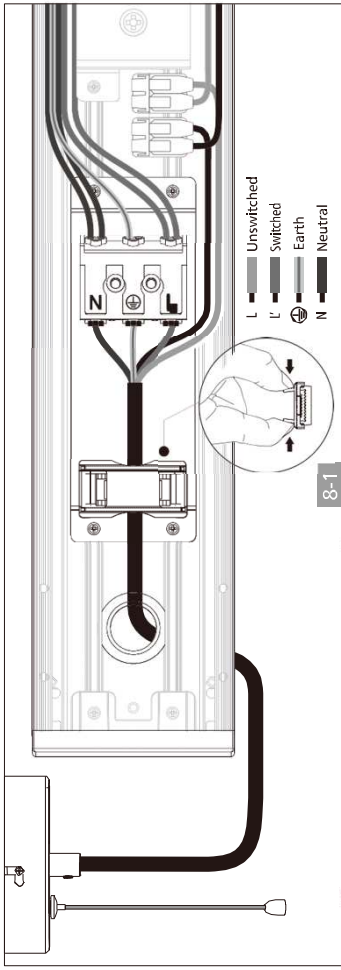
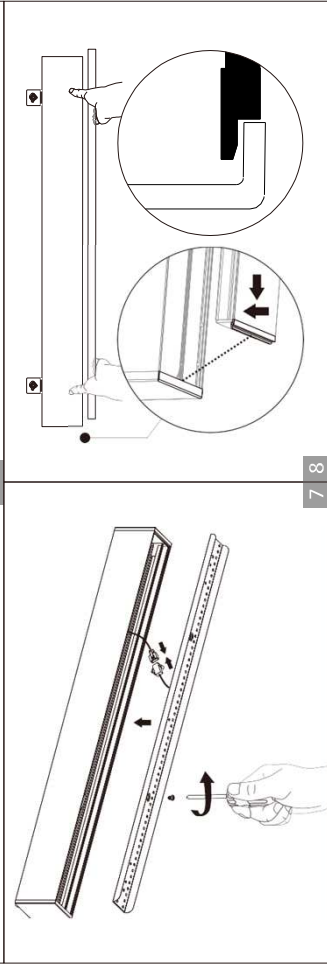
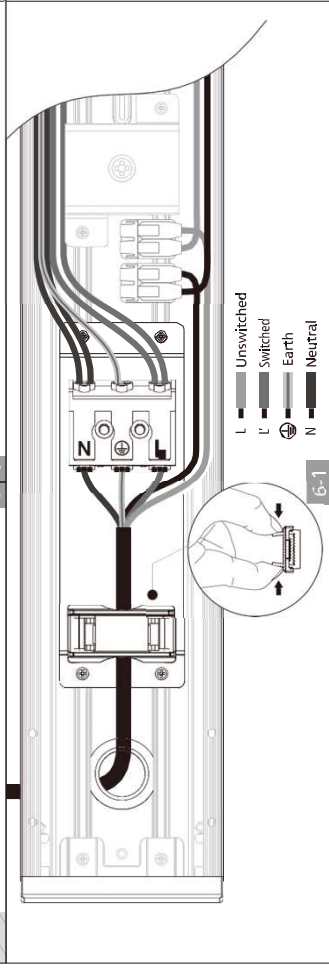
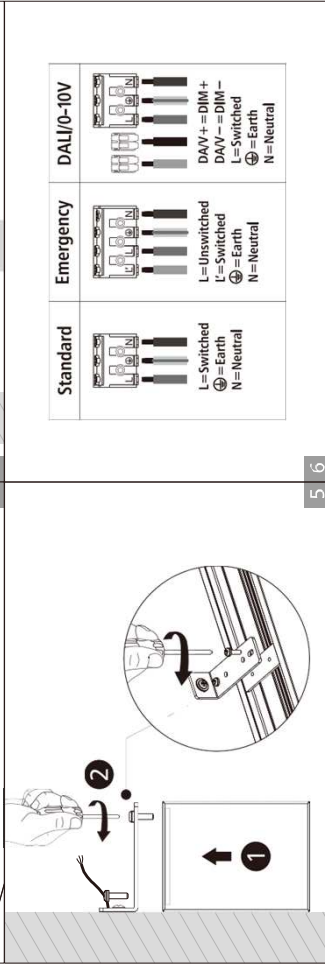
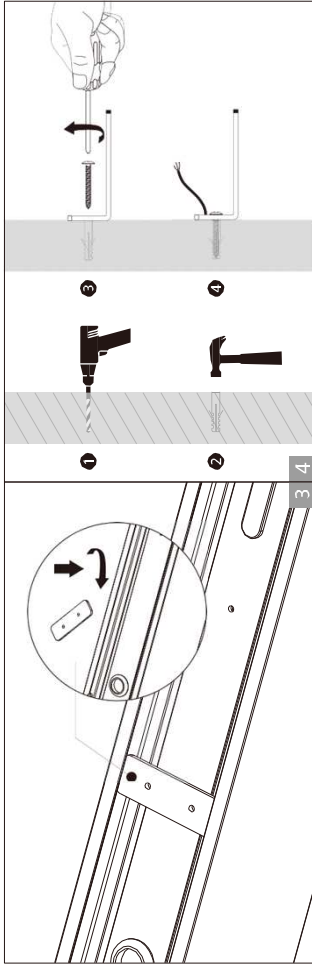
■ Suspended Installation (With round ceiling plate)



Standard	Emergency	DALI/0-10V
<p>L = Switched ⊕ = Earth N = Neutral</p>	<p>L = Unswitched L' = Switched ⊕ = Earth N = Neutral</p>	<p>DAV+ = DIM+ DAV- = DIM- L = Switched ⊕ = Earth N = Neutral</p>

Press to adjust the length of the suspension wire

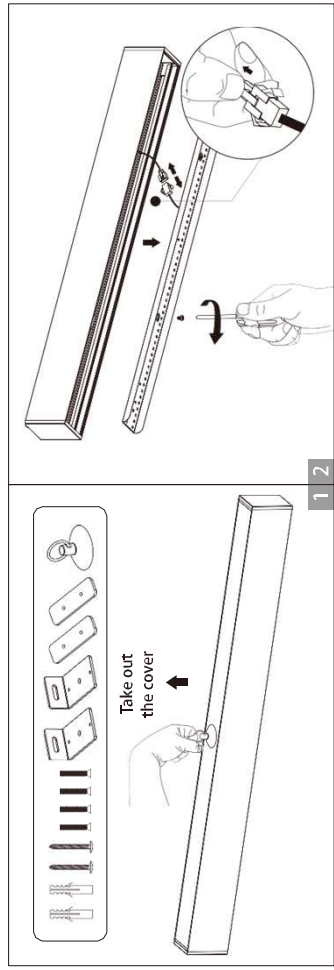
Take out the cover

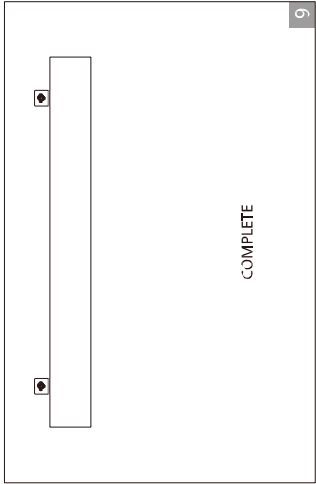


Standard	Emergency	DALI/0-10V
<p>L = Switched L' = Earth N = Neutral</p>	<p>L = Unswitched L' = Switched L'' = Earth N = Neutral</p>	<p>DAV+ = DIM+ DAV- = DIM- L = Switched L' = Earth N = Neutral</p>

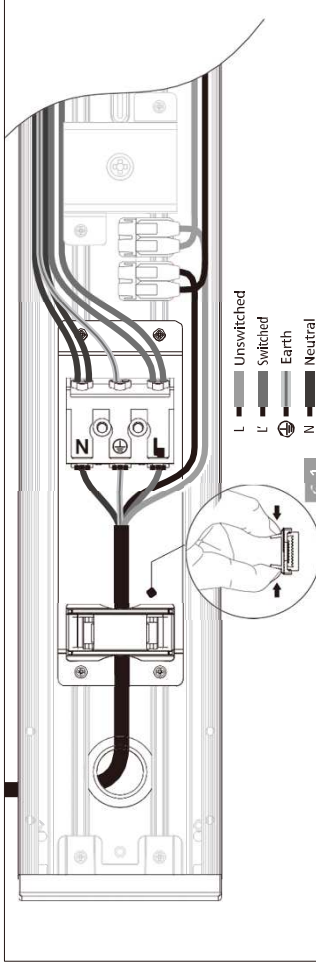
	Unswitched
	Switched
	Earth
	Neutral

Wall mounted installation

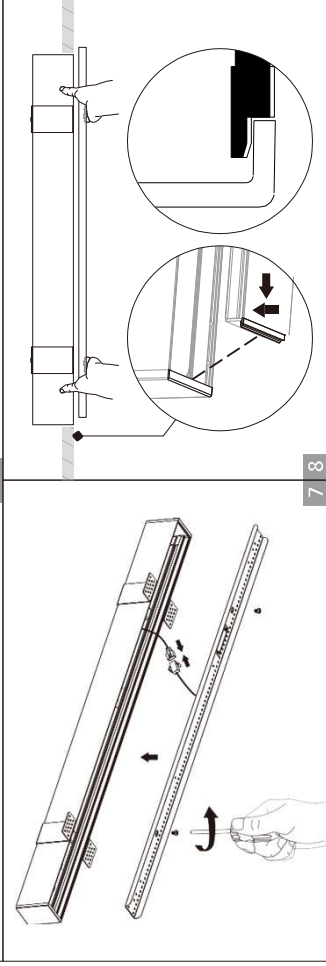




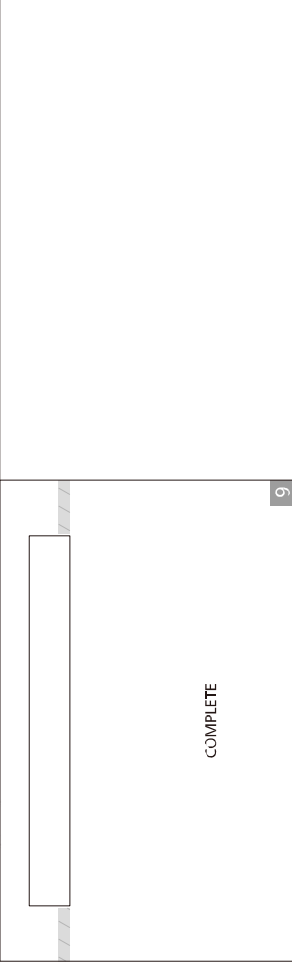
9



6-1

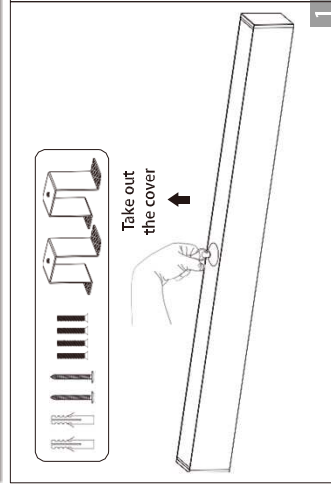


7 8

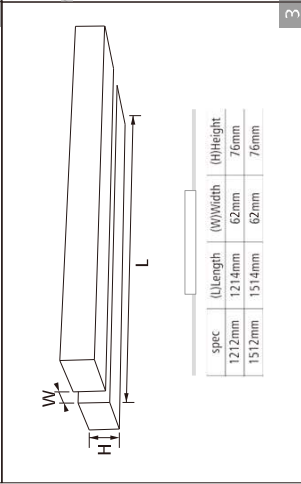


9

Recessed Installation

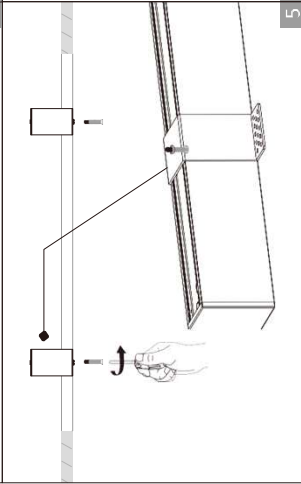


1 2



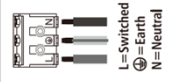
3 4

spec	(L)Length	(W)Width	(H)Height
	1272mm	62mm	76mm
	1512mm	62mm	76mm

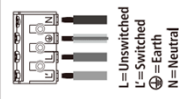


5 6

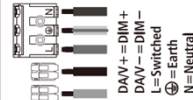
Standard



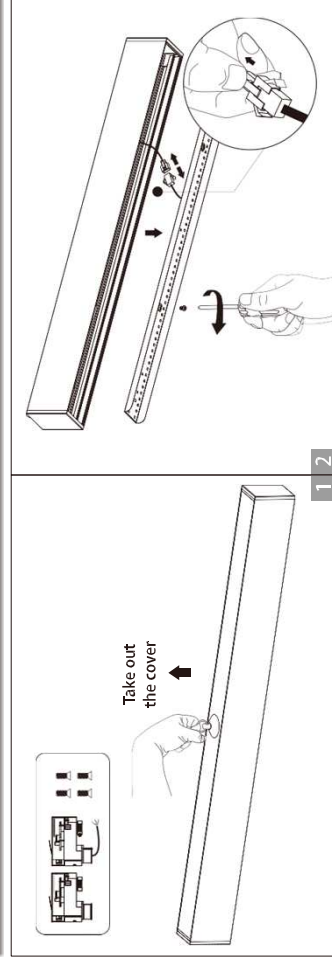
Emergency



DALI/0-10V

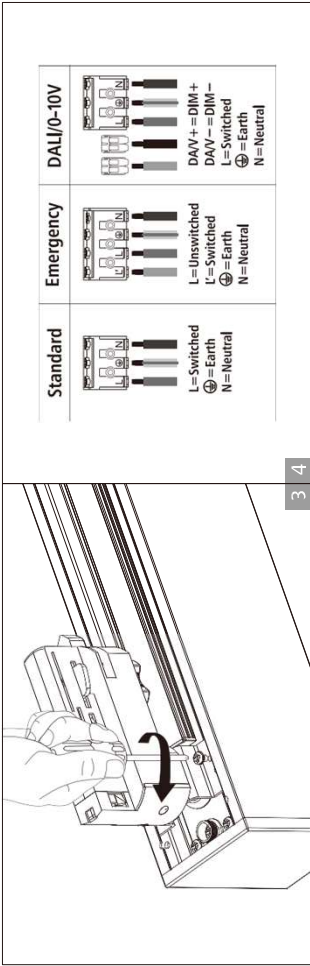


Track Installation

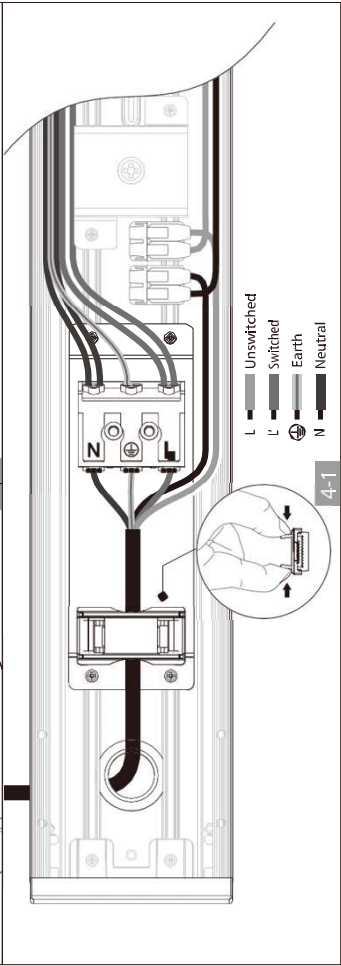


1 2

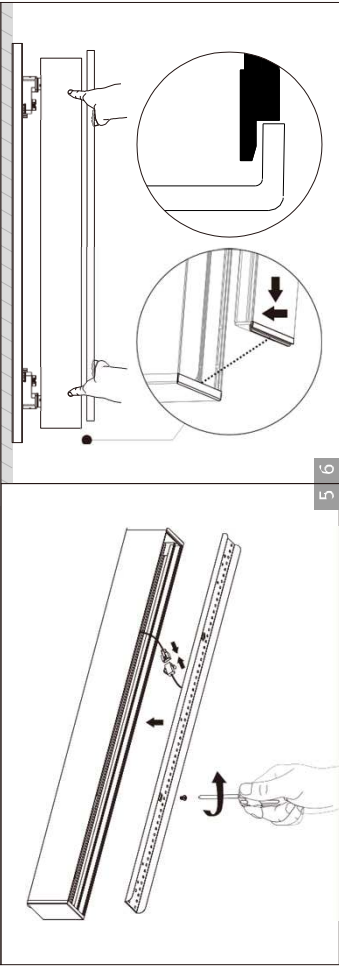
LED module Installation



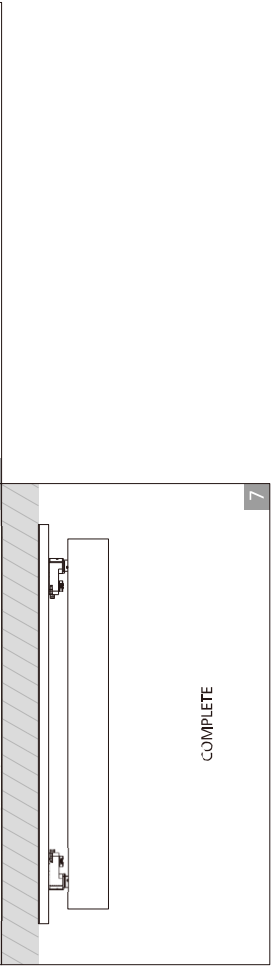
3 4



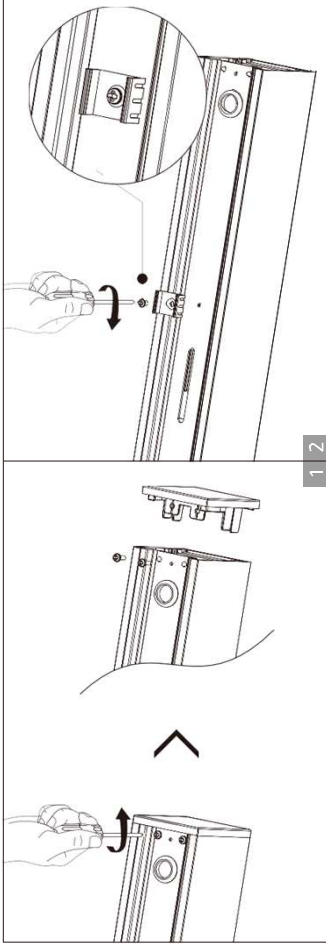
4-1



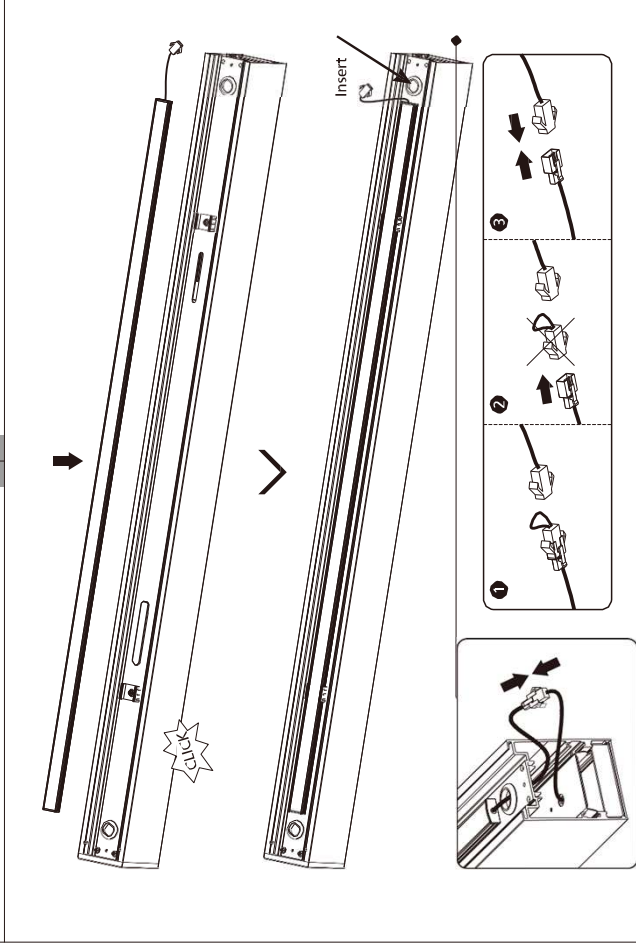
5 6



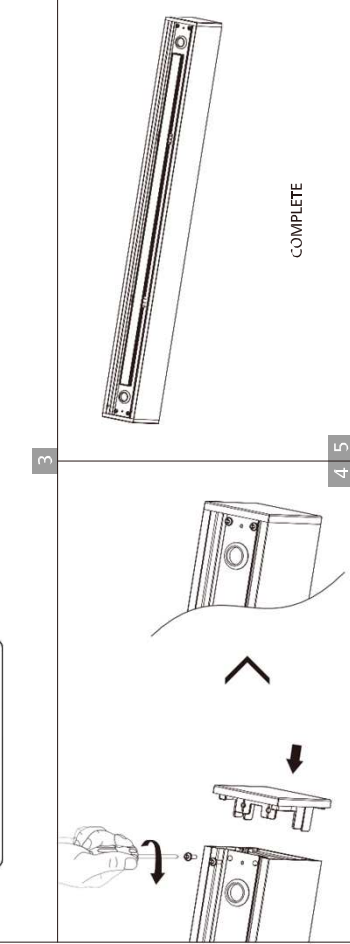
7



1 2

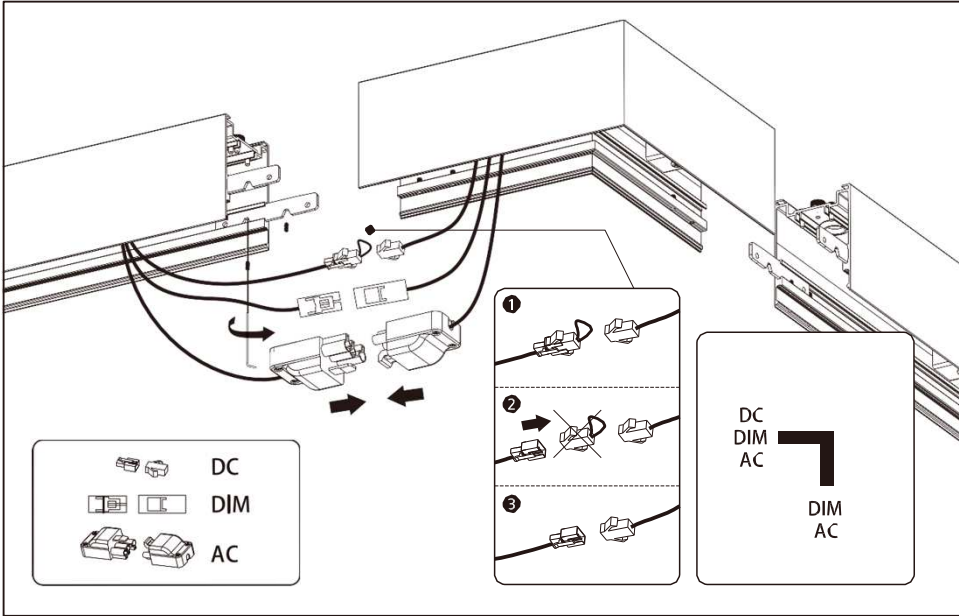


2 3

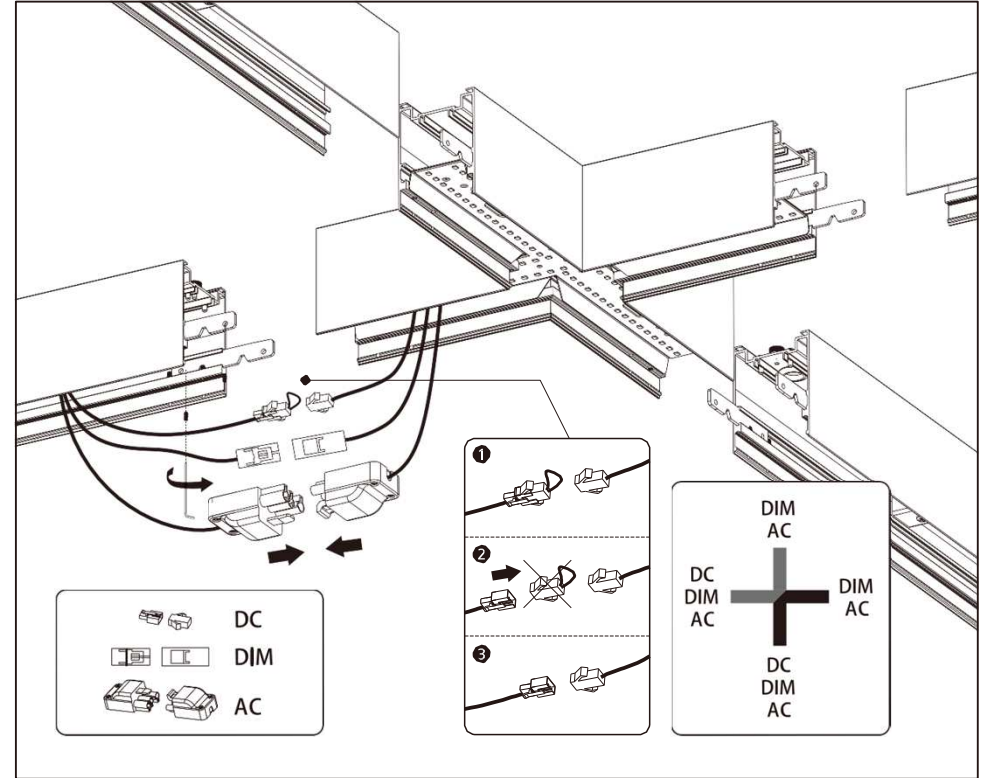


4 5

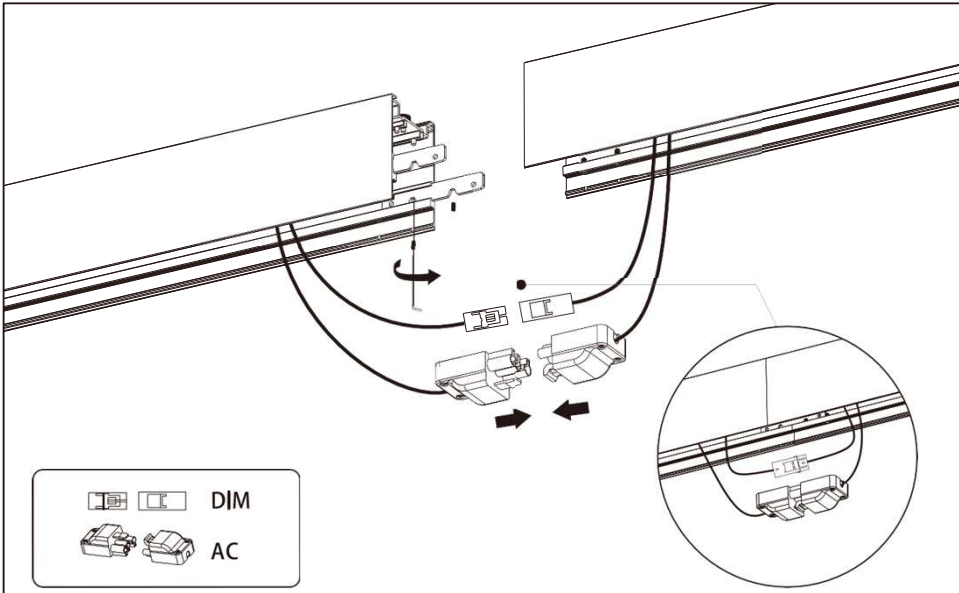
■ Straight "L"



■ Straight "+"



■ Straight "—"

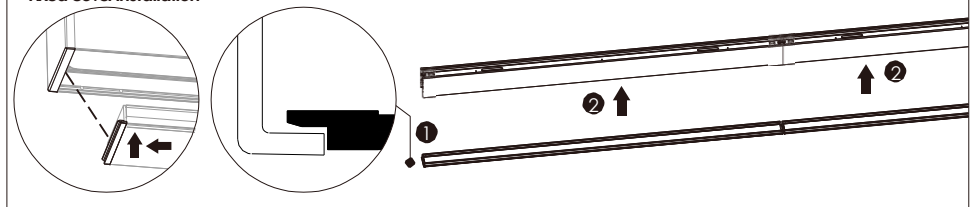


■ Cover installation

Soft cover installation



Fixed cover installation





RL Europe
Your partner in LED

www.rleurope.ch

info@rleurope.ch

TEL: +41 (0)91 6832255

Add: via E. Bossi 12/B, CH-6830 Chiasso (TI)