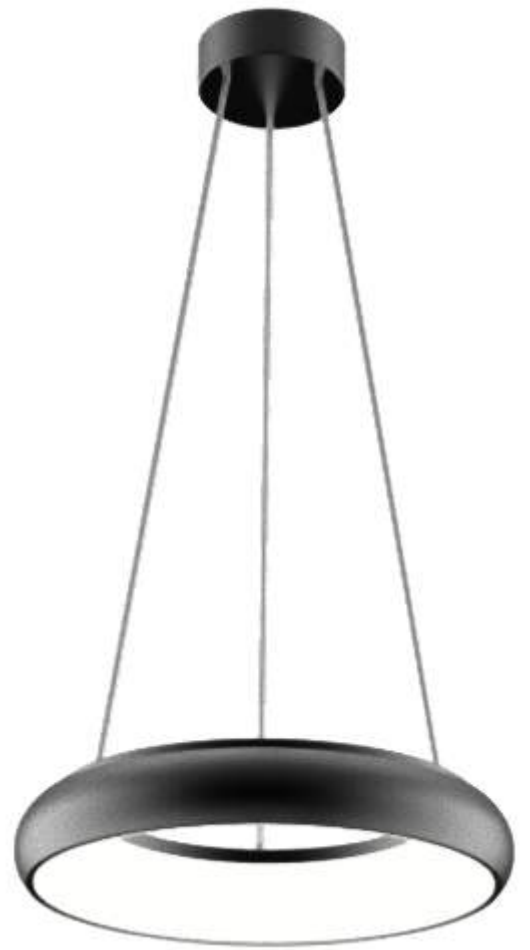


DECORATIVE Light



Architetturale



DECORATIVE Light

Architectural led lamp, with a particular circular design. Different installation options are available: directly on the ceiling, on the wall or suspended, using the included suspension kit. The Ideal solution for showrooms, receptions, conference rooms.

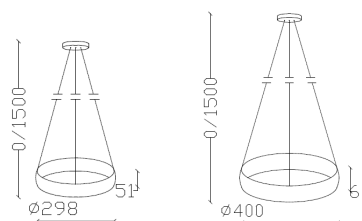
Lampada led architettonica, con un particolare design circolare.

Può essere installata a soffitto, a parete oppure a sospensione utilizzando il kit a disposizione incluso nel prodotto.

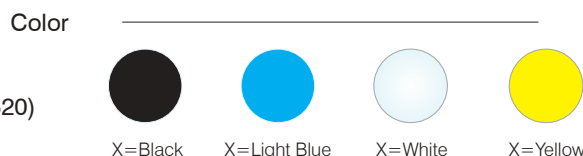
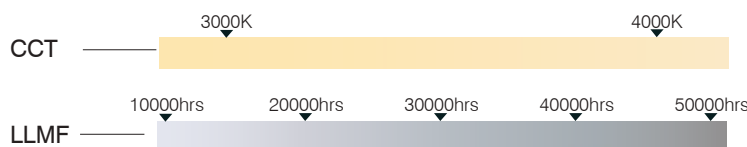
Ideale per showroom, aree di accoglienza, sale riunione.

Architektonische LED-Lampe mit einem besonderen Kreisdesign. Man kann auswählen, ob die Lampe direkt an der Decke, an der Wand oder hängend mit enthaltener Pendelsatz möglich installiert wird.

Ideal für Ausstellungsräume, Empfangsbereiche, Meetingräume.




Code	Watt	Color Temp(K)	Size (ØXBXCmm)	Support	Lumen (±5%)	N.W/pc (kgs)	Q'ty/CTN
140899W-X	18W	3000	298X51X1500	Yes	>1940lm	1.40	10 PCS
140899N-X	18W	4000	298X51X1500	Yes	>2160lm	1.40	10 PCS
140900W-X	25W	3000	298X51X1500	Yes	>2700lm	1.40	10 PCS
140900N-X	25W	4000	298X51X1500	Yes	>3000lm	1.40	10 PCS
140901W-X	35W	3000	400X67X1500	Yes	>3780lm	1.92	5 PCS
140901N-X	35W	4000	400X67X1500	Yes	>4200lm	1.92	5 PCS



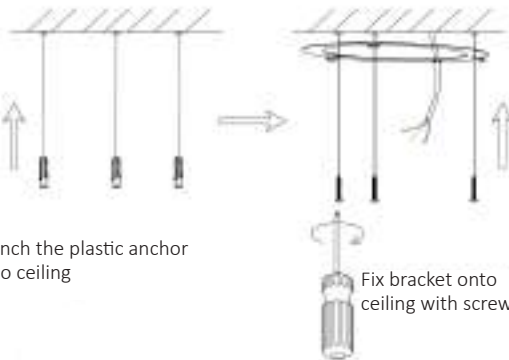


DECORATIVE Light INSTALLATION


1


 Surface mount bracket
 Type (A): Ring version, ceiling visible
 Type (B): Disc version, completely closed, ceiling invisible
 Surface mount bracket, choose either type A or B before purchasing

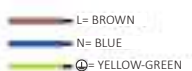


2


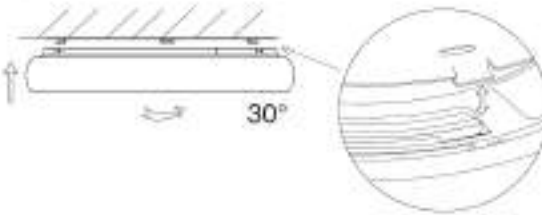
 Punch the plastic anchor into ceiling
 Fix bracket onto ceiling with screws

3


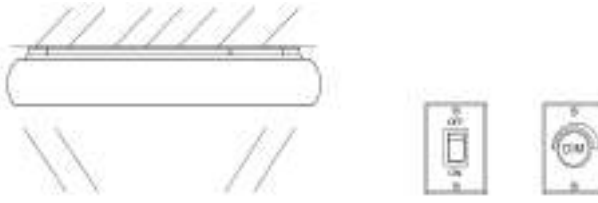
 Wiring the input AC cable to the lamp



 L= BROWN
 N= BLUE
 0= YELLOW-GREEN

4


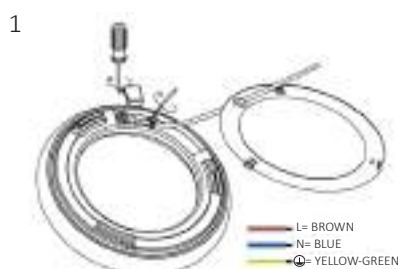
 Rotate lamp housing to bracket properly. And check for correct installation

5
 Finish




DECORATIVE Light

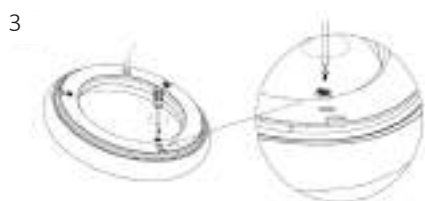
SUSPENDED INSTALLATION



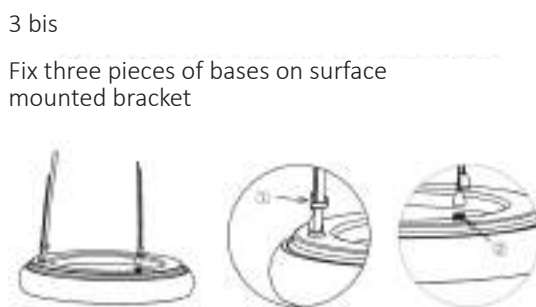
1 Feed the main cable in terminal block respectively



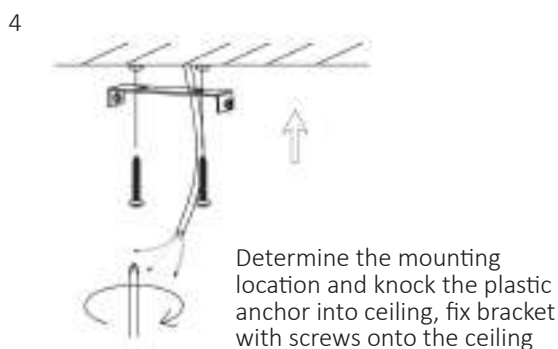
2 Rotate lamp housing to bracket properly



1. Attach transparent DC wire to suspended rope by clips
2. Fix the suspended rope on the bases



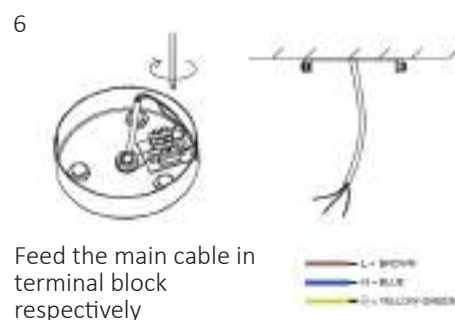
3 bis Fix three pieces of bases on surface mounted bracket



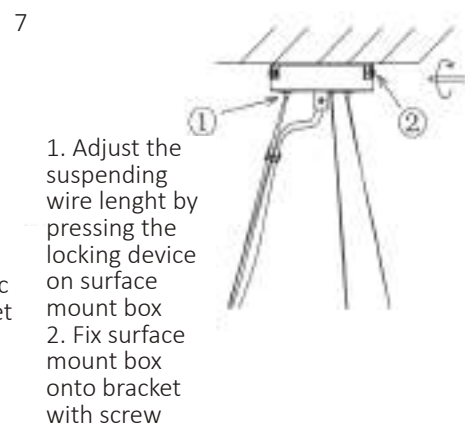
4 Determine the mounting location and knock the plastic anchor into ceiling, fix bracket with screws onto the ceiling



5 1. Insert the transparent cable through cable entry
2. Tighten screw by screwdriver to fix the cable



6 Feed the main cable in terminal block respectively



7 1. Adjust the suspending wire length by pressing the locking device on surface mount box
2. Fix surface mount box onto bracket with screw



Finish