



LED CYLINDER

PD12

Introduction



PD12 whole lamp adopts straightforward design with stylish appearance, easy to install, simple and generous, paying more attention to leisure and comfort. It gives space a clear and lively feelings. Different color of surface ring is optional, which could create diversified light atmosphere according to different environment.

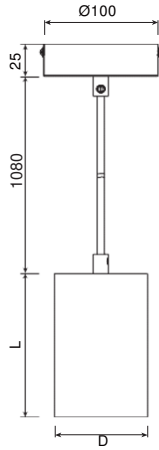
Features

The lamp adopts high quality reflector which has good reflective rate and light output > 85%. High lumen COB chip with CRI>80. THD<20%, passed EMC test with strong anti-jamming capability. Besides, it possesses short-circuit protection and overvoltage protection function, showing high safety performance.

Application Areas

Applicable for residential lighting in bedroom, living room, corridor etc, also suitable for commercial lighting in office, hotel, restaurant etc.





Measurement

Model	Dimension(mm)		Size(mm)	Product Weight (Kg)		Package weight (Kg)		Carton Size(cm)	Qty/CTN	20GP (pcs)	40HQ (pcs)
	D	L		N.W/PC	G.W/PC	N.W/CTN	G.W/CTN				
5W	39	300	Ø39*300	0.51	0.6	9.2	12	46.5*38*35	18	7776	18900
5W	39	500	Ø39*500	0.65	0.78	11.8	15.5	66.5*38*35	18	5184	12852
10W	58	180	Ø58*180	0.54	0.62	6.5	8.3	47.5*25.5*36	12	7440	18240

Technical Data Sheet

Model No.		PD12-5W	PD12-5W	PD12-10W	
Watt(W)		5W	5W	10W	
Dimension(mm)		Ø39*300	Ø39*500	Ø58*180	
Rated Input Voltage(V)		AC230V			
Input Voltage(V)		AC200-240V			
LED		COB			
SDCM		<6			
CCT(K)		1-CCT: 2700K / 3000K / 4000K / 5000K			
"Luminous Flux (lm) ±5%	1-CCT	Non-DIM	500	500	1000
		DIM	-	-	-
CRI		≥80			
Beam Angle (°)		24° / 36° / 60°	24° / 36° / 60°	15° / 24° / 36° / 60°	
UGR		<19			
LED Driver		Built-in			
DIM		NO			
Protection Class		Class I			
IP Rating		IP20			
IK Rating		-			
Finishing color		Black / White			
Material		Aluminium			
Lifetime (hr)		50,000			
Glow wire test (°C)		750°C			
Operating Temp.(°C)		-20°C ~45°C			
Storage Temp.(°C)		-20°C ~65°C			
Installation		Pendant			
Brand Driver option		-			

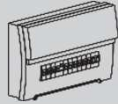

Driver Datasheet

Power	5W	10W
Rated Input Voltage(V)	AC230V	
Frequency	50/60Hz	
Input Voltage	AC200-240V	
Efficiency	≥78%	≥83%
Total load wattage	5W±0.5W	10W±1W
Power Factor	0.8	0.9
Rated Input Current	≤0.03A	≤0.06A
Full load output voltage	DC24-40V	DC28-40V
Rated output current	110mA	230mA
Output current range	110mA±5%	230mA±5%
Power tolerance	±5%	
Current output tolerance	±5%	
Short circuit protection	PASS	
Over voltage protection	PASS	
Over temperature protection	PASS	
THD	<20% @ 230V	
Surge	L,N-PE 1KV	
Withstand voltage	AC1500V	

Installation Procedure

WARNING ⚡

1. Switch off before installation.
2. Switch on only after complete installation and examination of the circuit.
3. Professional electrician for installation and maintenance only.

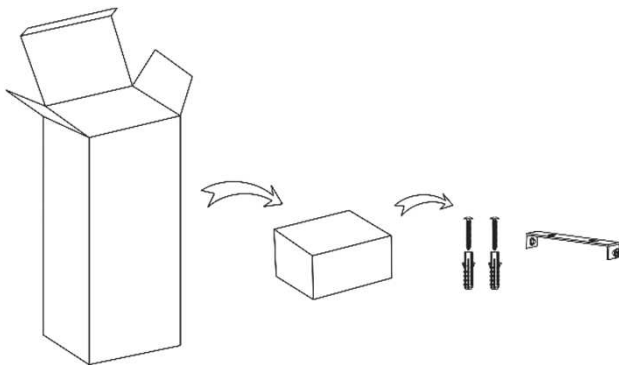



**Turn Off
Power Supply**

Turn Off power supply before starting any installation. Read instructions & check you have all the tools & accessories to complete the installation correctly.

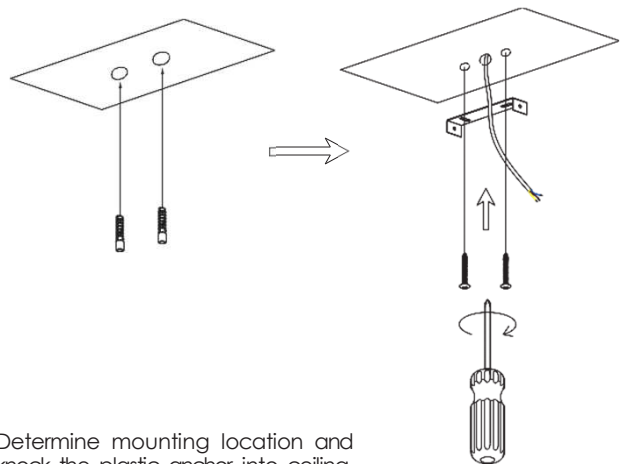
How to install

Step 1



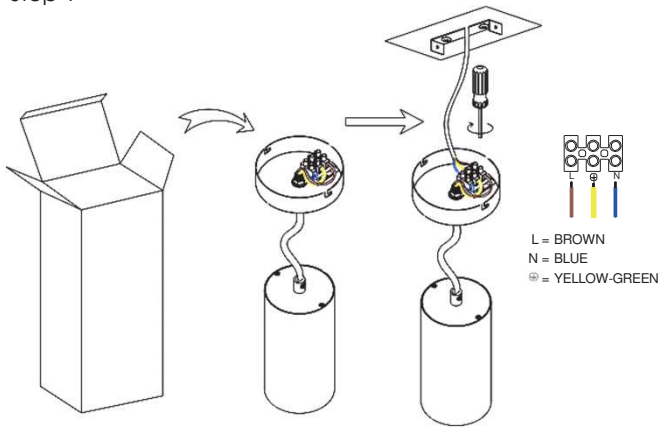
Take out the accessories from accessory box.

Step 2



Determine mounting location and knock the plastic anchor into ceiling, fix bracket with screw into the ceiling.

Step 1



Take out the lamp, connect the corresponding polarities between the wires on the ceiling and terminal block by screwdriver.

Step 2

