

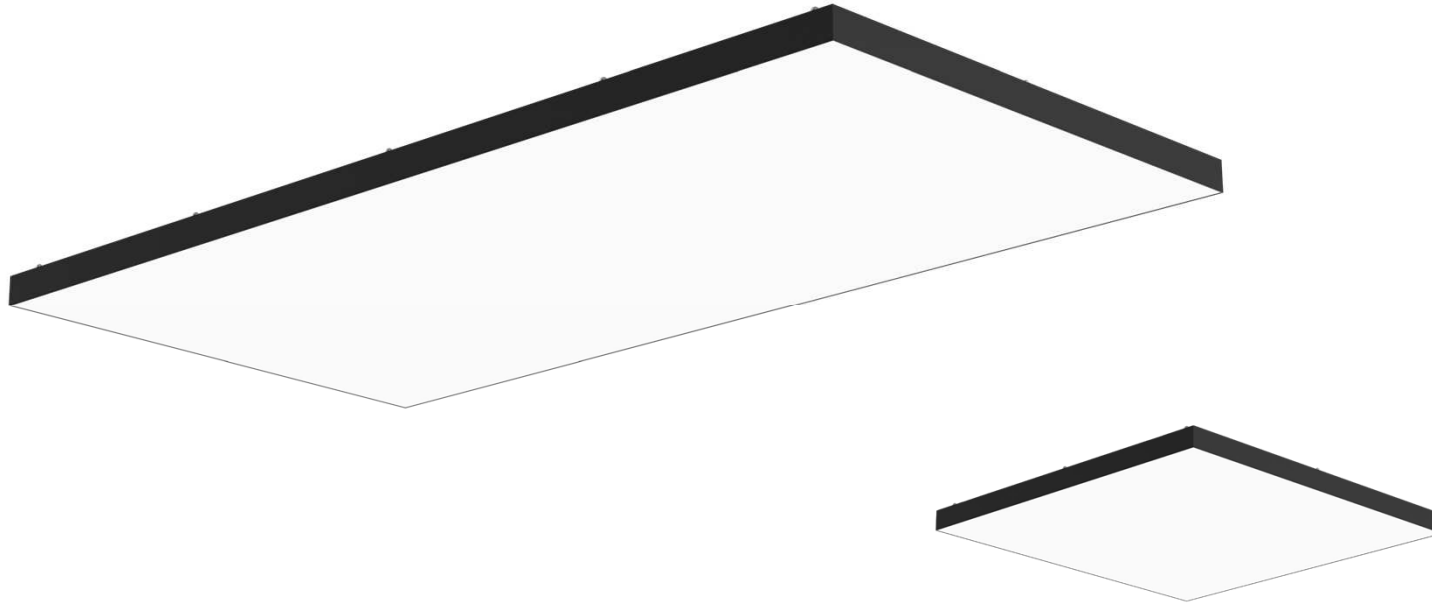
Entry / ECO

Standard / STD

Professional / PRO

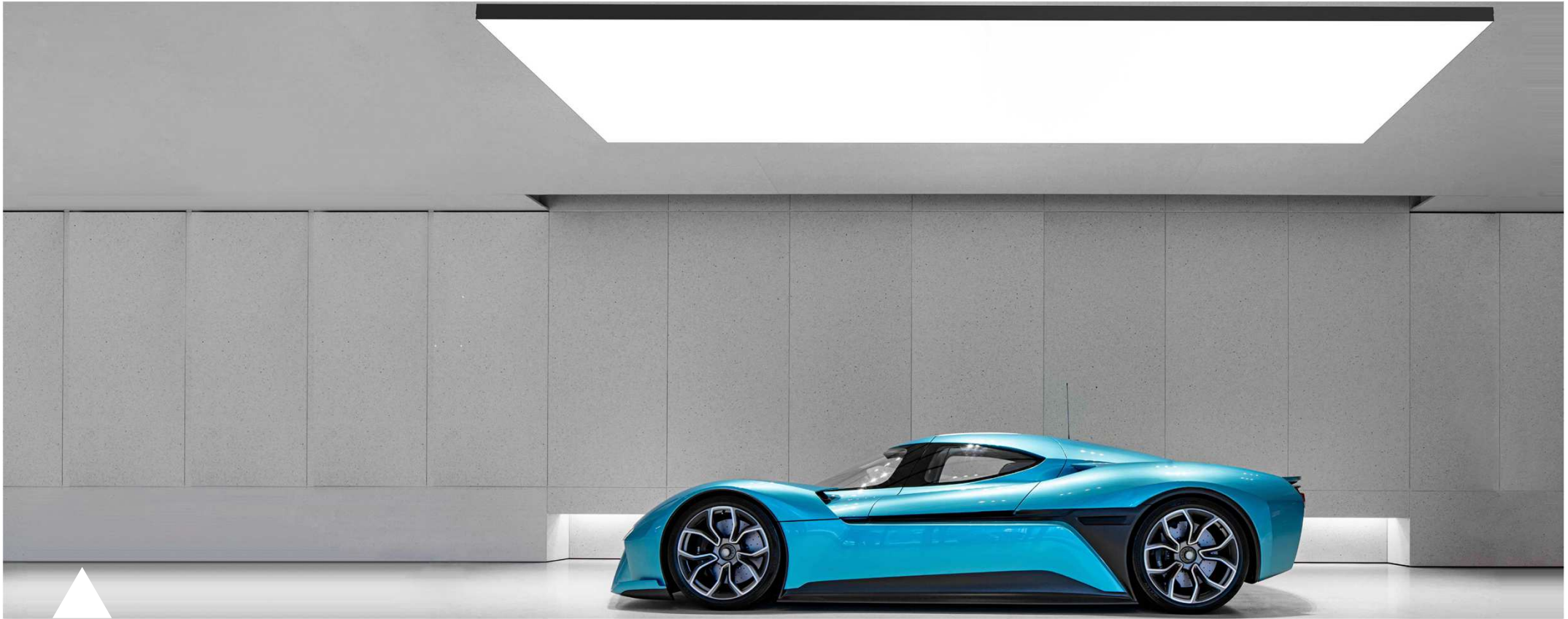
ODM & OEM

Intelligent / INT



LED Panel Light  
PL-EA Series





## Introduction

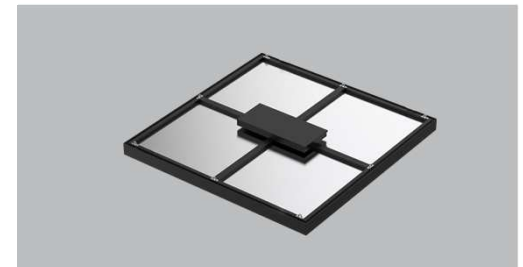
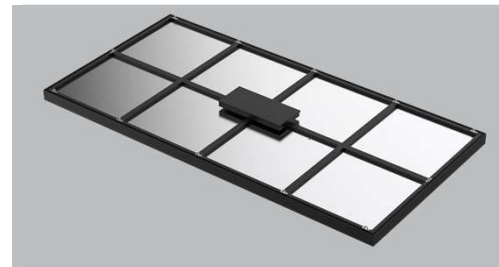
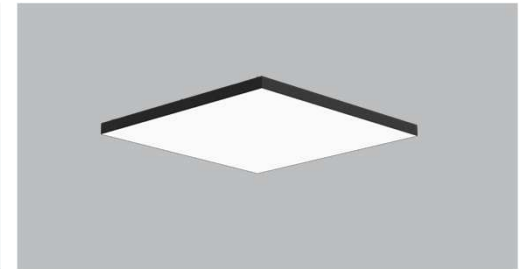
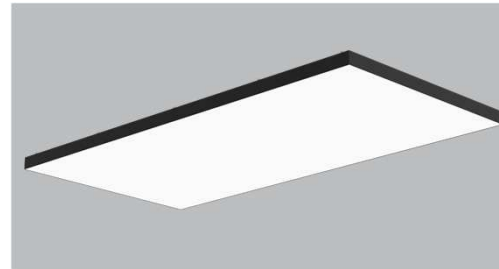
PL-EA panel light is a large size design with simple and elegant appearance, RA>90, the optical part adopts the secondary light distribution, with 120 degree wide beam angle, it has a uniform light output. The lighting surface adopts fireproof B1 grade soft film, backboard adopts 0.5mm thickness aluminium material which provides a strong quality and great thermal management.

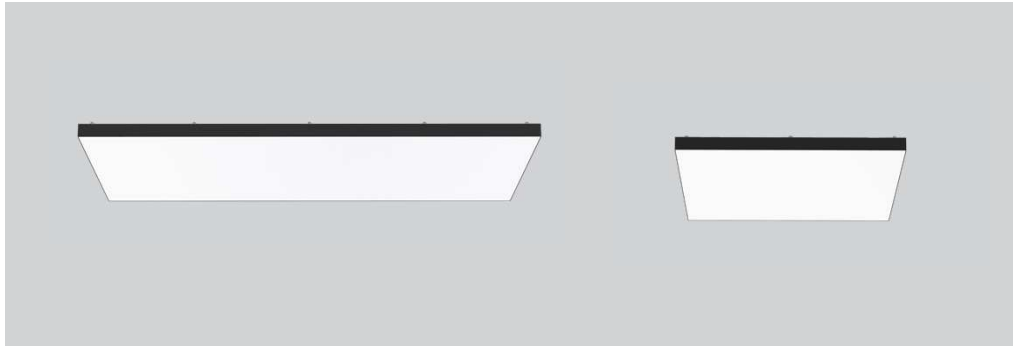
## Features

- Direct lighting with large size.
- The lighting surface adopts fireproof B1 grade soft film.
- 80LM/W, CRI 90.
- External flicker free driver.
- 0-10V, DALI

## Application Areas

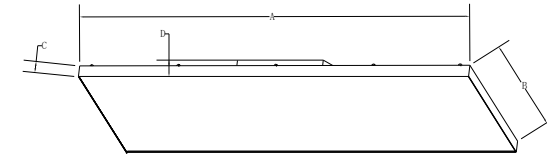
It's widely used in showroom, shopping mall, automobile 4s shops etc.





## Technical Data Sheet

Code No.	PL120120-60W-EA	PL120240-120W-EA	PL120300-180W-EA	PL150150-80W-EA	PL150300-240W-EA		
Dimension(mm)	1200*1200*110	1200*2400*110	1200*3000*110	1500*1500*110	1500*3000*110		
Cutout (mm)	-						
Watt(W)	60W	120W	180W	80W	240W		
Rated Input Voltage(V)	AC230V						
Input Voltage(V)	AC220-240V						
LED Module Input	DC37-42V						
Light Source	SMD2835						
SDCM	<6						
CCT(K)	1-CCT: 3000K/4000K/5000K						
CCT Selection DIP Switch	-						
Luminous Flux (lm) ±5%	Non-DIM	1-CCT	4050-4800	8640-9600	12900-14400	5700-6400	17200-19200
	DIM		4000-4450	8400-9100	12200-14000	5600-6200	16800-18200
	Non-DIM	2-CCT	-				
	DIM		-				
CRI	≥90						
Beam Angle (°)	120°						
UGR	<19						
LED Driver	Built-out						
Dimming Option	DALI/ 0-10V						
Sensor	-						
Emergency Kits	-						
Electrical Class	Class I						
Ingress Protection (IP Rating)	IP40						
Impact Resistance (IK Rating)	-						
Product Finishing(Base)	Black RAL9005						
Materials of Optics	PVC Soft film						
Materials of Housing	Aluminium						
Lifetime (hr)	50,000h						
Glow wire test (°C)	-						
Operating Temp. (°C)	-10°C~40°C						
Storage Temp. (°C)	-20°C~65°C						
Installation	Suspended/Surface mounted						



## Measurement

Code	Dimension(mm)				Size (mm)	Product Weight (Kg) N.W/PC
	A	B	C	D		
PL120120-60W-EA	1200	1200	70	110	1200*1200*110	11
PL120240-120W-EA	2400	1200	70	110	1200*2400*110	21
PL120300-180W-EA	3000	1200	70	110	1200*3000*110	27
PL150150-80W-EA	1500	1500	70	110	1500*1500*110	17
PL150300-240W-EA	3000	1500	70	110	1500*3000*110	34

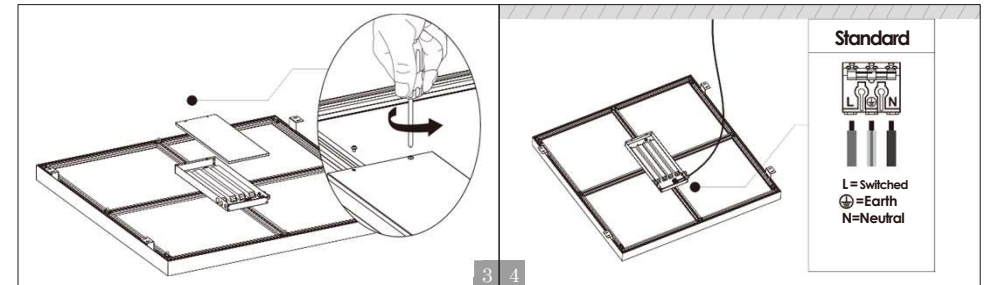
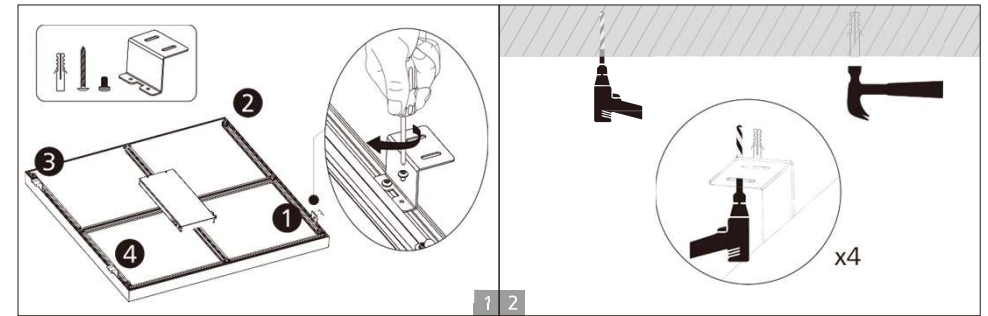
## Driver Datasheet (Non- Dimmable)

Total load wattage		60W	80W
Output	Output Voltage range	DC3-42V	
	Rated output current	1400mA	1800mA
	Line Regulation	±5%	
	Setup, Rise Time	0.5S	
	Flickering Index	<5% IEEE1789 NO RISK	
Input	Input Voltage	AC180-264V	
	Rated Input Voltage(V)	200-240V	
	Frequency	50/60Hz	
	Input Current	0.38A	0.50A
	Rated Input Current	0.34A	0.45A
	Power Factor	0.9	
	THD	<20%@AC230V	
	Efficiency	>88%	
	No load wattage	≤0.5W	
Protection	Short circuit protection	Pass	
	Over voltage protection	Pass	
	Over temperature protection	Pass	
Safety &EMC	Withstand voltage	I/P-FG:1.6KVac,<5mA 60S;	
	Isolation Resistance	I/P-O/P: 500VDC, ≥100M Ω	
	Surge	IEC/EN61000-4-5 ( L/N-PG:2KV) (L-N:1KV)	
	EMC Emission	EN55015, EN61000-3-2	
EMC Immunity	EN61000-4-2,3,4,5,6,8,11; EN61547		

# Driver Datasheet (Dali Dimmable)

Total load wattage		60W	80W
Output	Output Voltage range	DC20-54V	
	Rated output current	1350mA	1800mA
	Line Regulation	±5%	
	Setup, Rise Time	0.5S	
	Flickering Index	<5%	
Input	Input Voltage	198-264VAC	
	Rated Input Voltage(V)	220-240V	
	Frequency	50/60HZ	
	Input Current	0.34A	0.45A
	Rated Input Current	0.31A	0.41A
	Power Factor	0.9	
	THD	<20%@AC230V	
	Efficiency	>88%	
	No load wattage	≤0.5W	
Protection	Short circuit protection	Pass	
	Over voltage protection	Pass	
	Over temperature protection	Pass	
Safety & EMC	Withstand voltage	I/P-FG: 1.6kVac, <5mA 60S;	
	Isolation Resistance	I/P-O/P: 500VDC, ≥100M Ω	
	Surge	IEC/EN61000-4-5 ( L-N:1KV)	
	EMC Emission	EN55015, EN61000-3-2	
EMC Immunity	EN61000-4-2,3,4,5,6,8,11; EN61547		

## Surface mounted Installation



### Installation Procedure

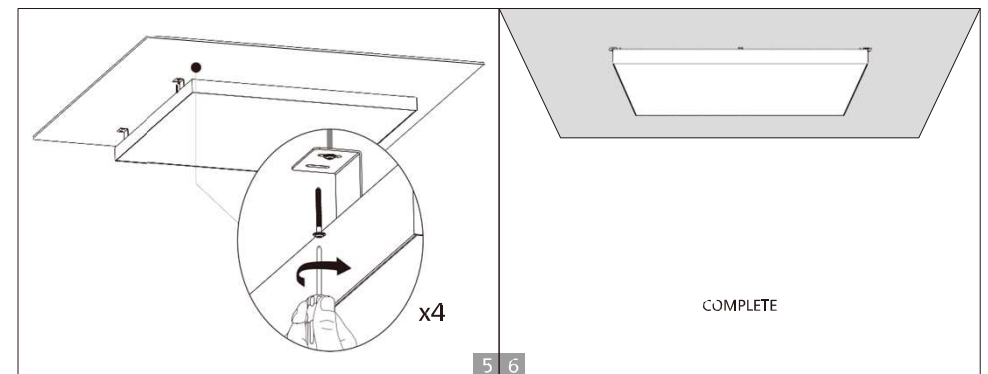
#### WARNING

1. Switch off before installation.
2. Switch on only after complete installation and examination of the circuit.

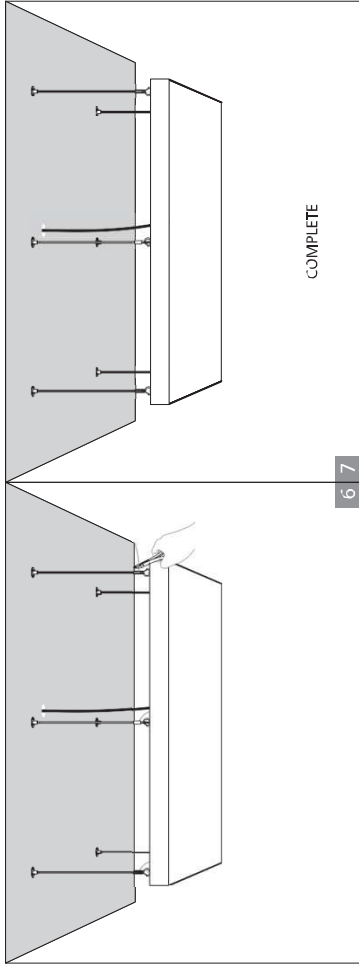
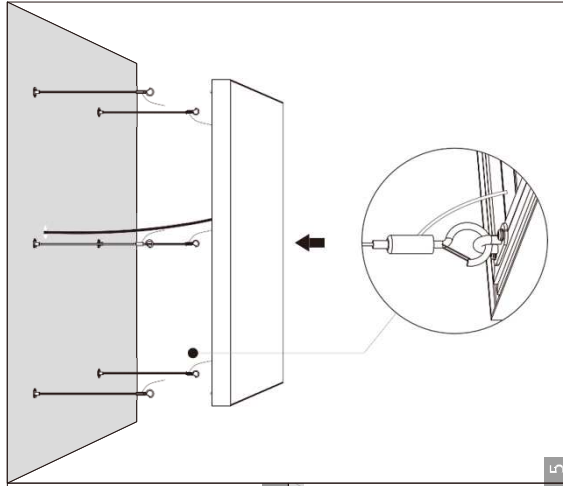
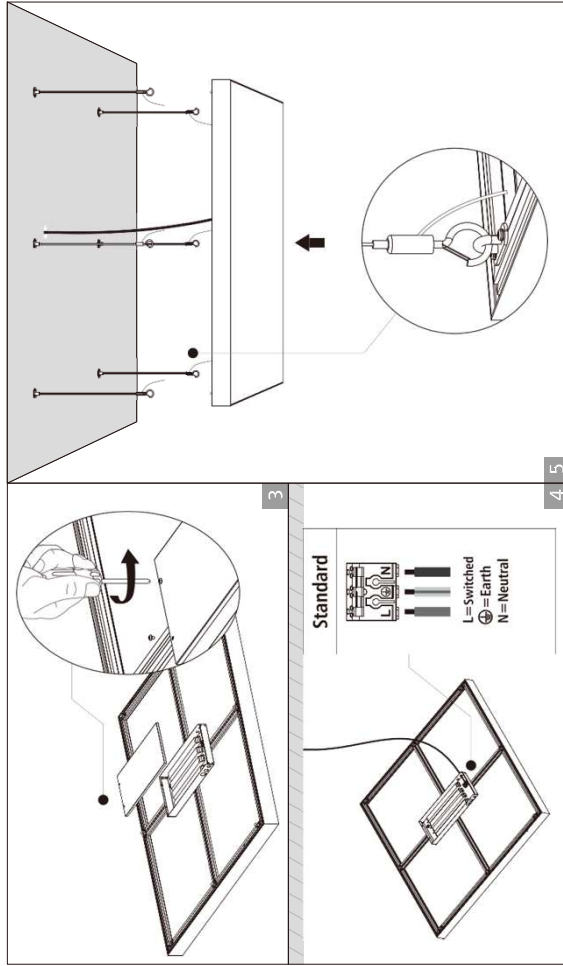
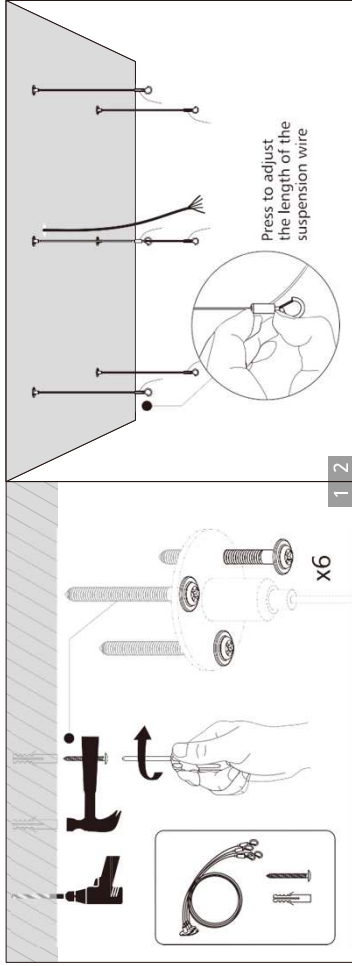


#### CAUTION

Make sure that the mounting surface or structural member used for installation can support the weight of LED Panel.



## Suspended Installation





**RL Europe**  
Your partner in LED

[www.rleurope.ch](http://www.rleurope.ch)

[info@rleurope.ch](mailto:info@rleurope.ch)

TEL: +41 (0)91 6832255

Add: via E. Bossi 12/B, CH-6830 Chiasso (TI)