

Entry /ECO

Standard /STD

Professional/PRO

ODM & OEM

Intelligent/INT

2020

STD

Specifications



LED Downlight

DL248B Series



Introduction

This is a linear recessed downlight, it has two beam design: Symmetric Beam(Type A) and Asymmetric Beam(Type B). The aluminum die-casting frame with UV-proof white powder coating finishing provides an excellent thermal management. Adopt CREE XP-G big power SMD light source, high lumen, high CRI, small SDCM.

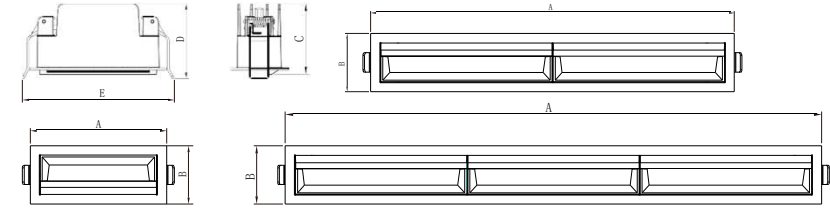
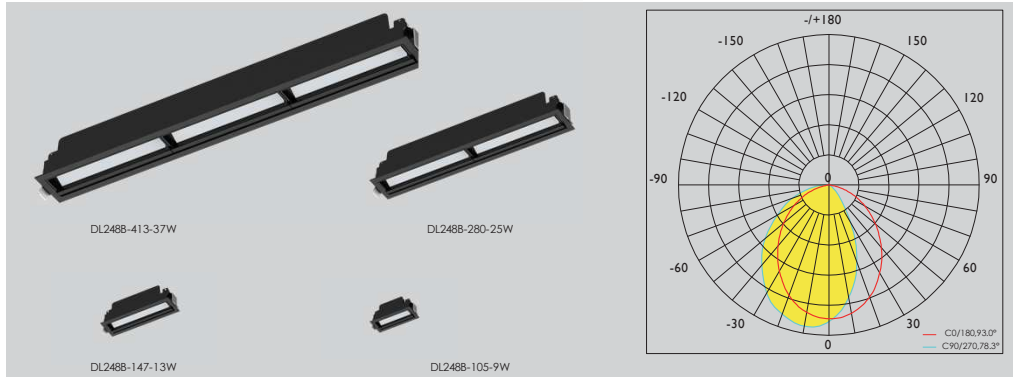
Features

- Asymmetric beam(Type B) 70°x90°x10° .
- Adopt CREE XP-G2 5W SMD light source, high lumen efficiency.
- Finished color: White/Black.
- External flicker free driver.
- Dimming options: Triac dimming / 0-10V dimming / DALI dimming

Application Areas

It is designed for general lighting applications in office, supermarket, shop, school, hotel, etc. It is also widely used for public areas, such as stairway, lobby, reception, corridors etc.





Measurement

Code	Dimension(mm)					Size(mm)	Product Weight (Kg)		Package weight (Kg)		Carton Size(cm)	Qty/CTN	20GP (pcs)	40HQ (pcs)
	A	B	C	D	E		N.W/PC	G.W/PC	N.W/CTN	G.W/CTN				
DL248B-105-9W	105	45	55	58	117	105*45*55	0.21	0.31	15.5	16.4	59.5*31.5*43	50	16500	39900
DL248B-147-13W	147	45	55	58	159	147*45*55	0.27	0.37	14.8	15.7	45*35.5*33	40	19200	44800
DL248B-280-25W	280	45	55	58	292	280*45*55	0.51	0.64	12.8	13.5	40*32.5*30	20	13440	31360
DL248B-413-37W	413	45	55	58	425	413*45*55	0.7	0.9	18	18.9	46*32.5*37	20	9840	23800

Technical Data Sheet

Code No.	DL248B-105-9W	DL248B-147-13W	DL248B-280-25W	DL248B-413-37W
Dimension(mm)	105×45×55	147×45×55	280×45×55	413×45×55
Cutout (mm)	97×37	139×37	272×37	405×37
Watt(W)	9W	13W	25W	37W
Rated Input Voltage(V)	AC220-240V			
Input Voltage(V)	AC220V			
LED Module Input	DC9V 700mA	DC15V 700mA	DC30V 700mA	DC45V 700mA
Light Source	SMD			
SDCM	<6			
CCT(K)	1-CCT: 2700K/3000K/4000K			
CCT Selection DIP Switch	NO			
Luminous Flux (lm) ±5%	Non-DIM 1- CCT	280-380	470-690	930-1300
	DIM CCT	-		
	Non-DIM 3- CCT	-		
DIM CCT	-			
CRI	Ra>90			
Beam Angle (°)	70°x90°x10°			
UGR	-			
LED Driver	Built-out			
Dimming Option	Triac/ DALI/ 0-10V			
Sensor	-			
Emergency Kits	-			
Electrical Class	Class II			
Ingress Protection (IP Rating)	IP20(Inside Ceiling)			
Impact Resistance (IK Rating)	IK06			
Product Finishing(Base)	White 9016, Black 9005			
Materials of Optics	PC			
Materials of Housing	Aluminum			
Lifetime (hr)	50,000h			
Glow wire test (°C)	750°C			
Operating Temp. (°C)	-20°C~45°C			
Storage Temp. (°C)	-20°C~65°C			
Installation	Recessed			

Driver Datasheet (Non-dimmable)

Total load wattage		9W	13W	25W	37W
Output	Output Voltage range	9-18V	9-18V	25-34V	36-51V
	Rated output current	700mA			
	Line Regulation	±5%			
	Setup, Rise Time	0.5S			
	Flickering Index	1.5%			
Input	Input Voltage	AC 198-264V			
	Rated Input Voltage(V)	AC 220-240V			
	Frequency	50/60 Hz			
	Input Current	≤0.06A	≤0.09A	≤0.14A	≤0.21A
	Rated Input Current	≤0.06A	≤0.08A	≤0.13A	≤0.19A
	Power Factor	0.8	0.8	0.9	0.9
	THD	≤15%(230V)			
	Efficiency	78%	78%	88%	89%
	No load wattage	<0.5W			
Protection	Short circuit protection	Pass			
	Over voltage protection	Pass			
	Over temperature protection	Pass			
Safety & EMC	Withstand voltage	I/P-O/P:3KVac,<5mA 60S			
	Isolation Resistance	I/P-O/P:500VDC, ≥100M Ω			
	Surge	IEC/EN61000-4-5(L-N:1KV)			
	EMC Emission	EN55015, EN61000-3-2			
EMC Immunity	EN61000-4-2,3,4,5,6,8,11; EN61547				

Driver Datasheet (Triac Dimmable)

Total load wattage		9W	13W	25W	37W				
Output	Output Voltage range	8-14V		12-20V		26-42V		30-52V	
	Rated output current	700mA							
	Line Regulation	±5%							
	Setup, Rise Time	≤0.5S (230VAC)							
	Flickering Index	1.5%							
Input	Input Voltage	AC 198-264V							
	Rated Input Voltage(V)	AC 220-240V							
	Frequency	50/60 Hz							
	Input Current	80mA		100mA		160mA		220mA	
	Rated Input Current	46mA		66mA		127mA		187mA	
	Power Factor	0.90							
	THD	-		≤20% (230VAC)					
	Efficiency	78%		81%		86%		87%	
	No load wattage	≤0.5W @230VAC							
Protection	Short circuit protection	Pass							
	Over voltage protection	Pass							
	Over temperature protection	Pass							
Safety &EMC	Withstand voltage	I/P-O/P:3.75KVac,<5mA 60S							
	Isolation Resistance	I/P-O/P: 500VDC, ≥100M Ω							
	Surge	IEC/EN61000-4-5(L-N:1KV)							
	EMC Emission	EN55015, EN61000-3-2							
	EMC Immunity	EN61000-4-2,3,4,5,6,8,11; EN61547							

Driver Datasheet (0-10V Dimmable)

Total load wattage		9W	13W	25W	37W				
Output	Output Voltage range	3-84V							
	Rated output current	700mA							
	Line Regulation	±3%							
	Setup, Rise Time	≤0.5S (230VAC)							
	Flickering Index	1.5%							
Input	Input Voltage	AC 180-264V							
	Rated Input Voltage(V)	AC 200-240V							
	Frequency	47-63 Hz							
	Input Current	300mA							
	Rated Input Current	50mA		73mA		139mA		206mA	
	Power Factor	0.90							
	THD	≤20% (230VAC)							
	Efficiency	89%							
	No load wattage	≤0.5W @230VAC							
Protection	Short circuit protection	Pass							
	Over voltage protection	Pass							
	Over temperature protection	Pass							
Safety &EMC	Withstand voltage	I/P-O/P:3.75KVac,<5mA 60S							
	Isolation Resistance	I/P-O/P: 500VDC, ≥100M Ω							
	Surge	IEC/EN61000-4-5(L-N:2KV)							
	EMC Emission	EN55015, EN61000-3-2							
	EMC Immunity	EN61000-4-2,3,4,5,6,8,11; EN61547							

Driver Datasheet (DALI Dimmable)

Total load wattage		9W	13W	25W	37W				
Output	Output Voltage range	3-84V							
	Rated output current	700mA							
	Line Regulation	±3%							
	Setup, Rise Time	≤0.5S (230VAC)							
	Flickering Index	1.5%							
Input	Input Voltage	AC 180-264V							
	Rated Input Voltage(V)	AC 200-240V							
	Frequency	47-63 Hz							
	Input Current	300mA							
	Rated Input Current	50mA		73mA		139mA		206mA	
	Power Factor	0.90							
	THD	≤20% (230VAC)							
	Efficiency	78%							
	No load wattage	≤0.5W @230VAC							
Protection	Short circuit protection	Pass							
	Over voltage protection	Pass							
	Over temperature protection	Pass							
Safety &EMC	Withstand voltage	I/P-O/P:3.75KVac,<5mA 60S							
	Isolation Resistance	I/P-O/P: 500VDC, ≥100M Ω							
	Surge	IEC/EN61000-4-5(L-N:2KV)							
	EMC Emission	EN55015, EN61000-3-2							
	EMC Immunity	EN61000-4-2,3,4,5,6,8,11; EN61547							

Installation Procedure

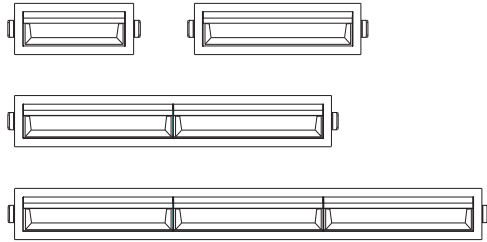
WARNING ⚡

- 1.Switch off before installation / maintenance.
- 2.Switch on only after complete installation and examination of the circuit.
- 3.Professional electrician for installation and maintenance only.



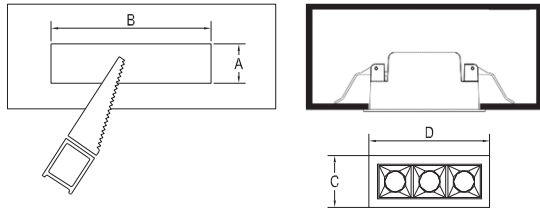
Turn Off power supply before starting any installation. Read instructions & check you have all the tools & accessories to complete the installation correctly.

Type B Asymmetric washer light



Step 1

Open a hole according to the cutout size of the lamp.

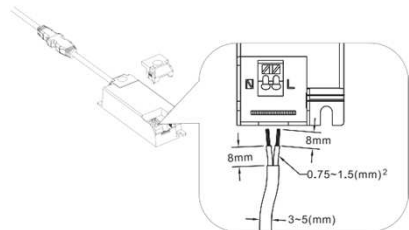


AxB mm	CxDmm
37x37	45x45
68x37	76x45
97x37	105x45
67x67	75x75
139x37	147x45
97x97	105x105
272x37	280x45
405x37	413x45

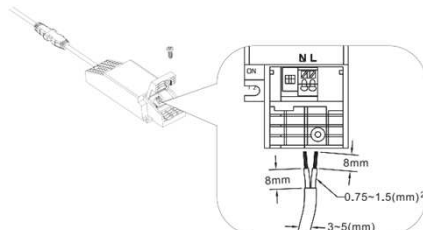
Step 2

Remove the driver cover, do wire connection accordingly, then fix the driver cover.

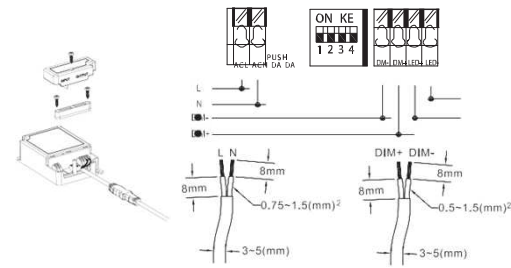
2.1 Non-dimmable driver



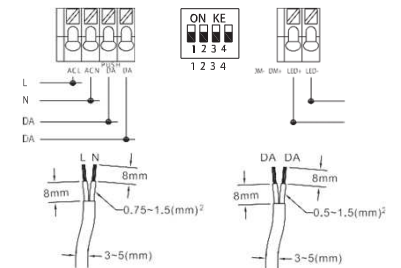
2.2 RPC triac dimmer(10%-100%)



2.3 0-10V dimmable driver

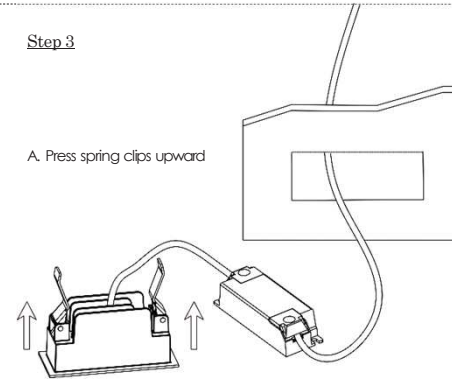


2.4 DALI dimmable driver



Step 3

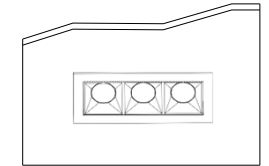
A. Press spring clips upward



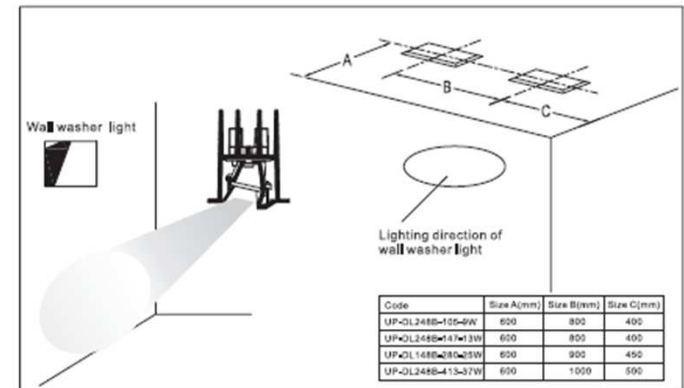
B. Push downlight into position

Step 4

Release spring clips which will hold luminaire securely



Wall washer light installation:
Install the lamps according to the distance requirements to achieve a good wall washing effect.





RL Europe
Your partner in LED

www.rleurope.ch

info@rleurope.ch

TEL: +41 (0)91 6832255

Add: via E. Bossi 12/B, CH-6830 Chiasso (TI)