

LINEAR LIGHT TYPE A

LINEAR LIGHT: ONE OF A KIND

Liner light is the perfect solution for buildings interiors such as offices, meeting rooms and receptions.

High-efficiency SMD LED are applied in an aluminum profile, which works on an optics to 120 degrees, with opaline and to 60 degrees dark light optics. They can be installed on ceilings, walls or hanging.

LINEAR LIGHT: UNICA NEL SUO GENERE

Liner Light è il perfetto compromesso per gli ambienti d'interno come uffici, sale riunioni e reception.

LED SMD ad alta efficienza vengono applicati ad un profilo di alluminio che lavora su un'ottica a 120° nella versione con opalina e a 60° nella versione con Dark Light. Possono essere installate a plafone, sospese e a muro.

LINEAR LIGHT: AUSSERGEWÖHNLICH IN SEINEM GENRE

Liner Light ist die ausgezeichnete Kompromisslösung für Innenräume wie Büros, Versammlungssäle und Rezeptionen. Hocheffiziente SMD LED werden in einem optischen Aluminiumprofil von 120°, mit Opalin und von 60° dark light-Optik eingesetzt. Sie können an der Decke und auch an der Wand aufgehängt werden.



C.R.I. COMPARISON



TECHNICAL DATA

ARTICLE NUMBER	RL12036AWX/ RL12036ANX	RL15042AWX/ RL15042ANX	RL12050AWX/ RL12050ANX	RL15060AWX/ RL15060ANX
NAME OF PRODUCT	LINEAR LIGHT TYPE A	LINEAR LIGHT TYPE A	LINEAR LIGHT TYPE A	LINEAR LIGHT TYPE A
INNER CARTON	1	1	1	1
MASTER CARTON	6	6	6	6

GENERAL CARACTERISTICS

MAIN APPLICATION	Commercial lighting	Commercial lighting	Commercial lighting	Commercial lighting
NOMINAL LIFETIME	50.000 hours	50.000 hours	50.000 hours	50.000 hours
SOURCE (LED TYPE)	SMD	SMD	SMD	SMD
IP RATE	IP 20	IP 20	IP 20	IP 20

LIGHTING DATA

COLOR TEMPERATURE	3.000/4.000 K	3.000/4.000 K	3.000/4.000 K	3.000/4.000 K
CRI	>80	>80	>80	>80
LUMINOUS FLUX	3.700/3.950 Lm	4.000/4.600 Lm	5.000/5.200 Lm	5.000/5.200 Lm
LIFETIME	L70B50>60000hrs		L70B50>60000hrs	
RATED BEAM ANGLE	120°	120°	120°	120°

ELECTRICAL DATA

SYSTEM POWER	36W	42W	50W	60W
WARM-UP TIME TO 60% LIGHT OUTPUT	INSTANT FULL LIGHT	INSTANT FULL LIGHT	INSTANT FULL LIGHT	INSTANT FULL LIGHT
INPUT VOLTAGE	AC 220-240V	AC 220-240V	AC 220-240V	AC 220-240V
FREQUENCY	50/60 Hz	50/60 Hz	50/60 Hz	50/60 Hz
DIMMABLE	1-10V / DALI	1-10V / DALI	1-10V / DALI	1-10V / DALI
ENERGY SAVING	YES	YES	YES	YES
WORKING TEMPERATURE	-20°/45°C	-20°/45°C	-20°/45°C	-20°/45°C

DIMENSION & MATERIAL

DIMENSION	1204x56x75 mm	1504x56x75 mm	1204x56x75 mm	1504x56x75 mm
MATERIAL	PC / Aluminum	PC / Aluminum	PC / Aluminum	PC / Aluminum

COLOR & VERSION

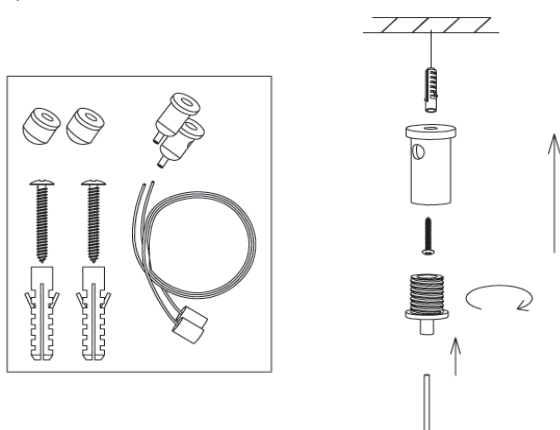
COLOR OF THE PRODUCT	X= B BLACK	X=W WHITE	X=S SILVER
VERSION	E=Emergency 3W>3hrs D010=Dimmable 0-10V DD=Dimmable DALI	E=Emergency 3W>3hrs D010=Dimmable 0-10V DD=Dimmable DALI	E=Emergency 3W>3hrs D010=Dimmable 0-10V DD=Dimmable DALI

APPROVAL & APPLICATIONS CHARS

VDE MARKING	IN PROCESS	IN PROCESS	IN PROCESS	IN PROCESS
CE MARKING	YES	YES	YES	YES
UL MARKING	IN PROCESS	IN PROCESS	IN PROCESS	IN PROCESS
ROHS COMPLIANCE	YES	YES	YES	YES

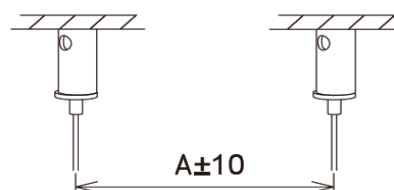
SUSPENDED INSTALLATION

STEP 1



Fix the holders of suspending ropes on the ceiling.

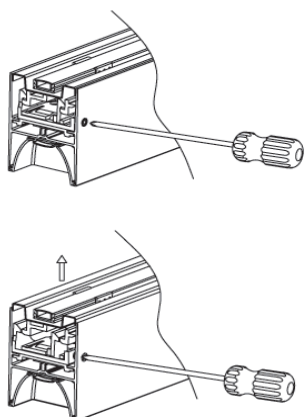
STEP 2



Model	A±10
1200mm	1176mm
1500mm	1476mm

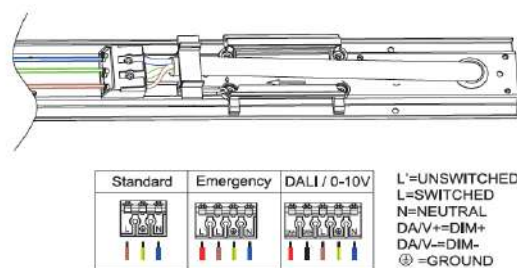
Keep the proper distances of the 2pcs suspending ropes as below table.

STEP 3



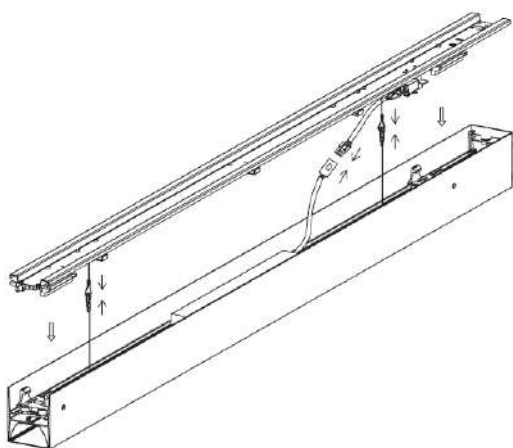
Press the connectors, take out the ceiling plate.

STEP 4

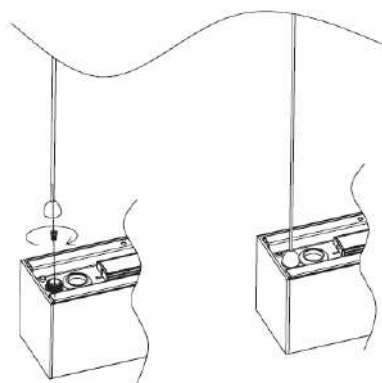


Connect the AC wires.

STEP 5



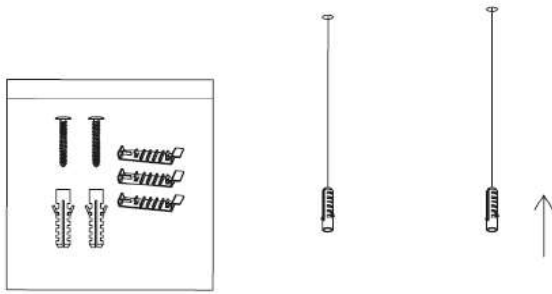
STEP 6



Fix the suspending accessories on the lamp.

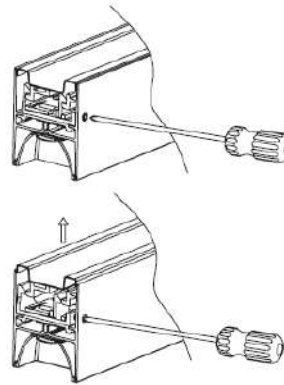
SURFACE MOUNTEND INSTALLATION

STEP 1



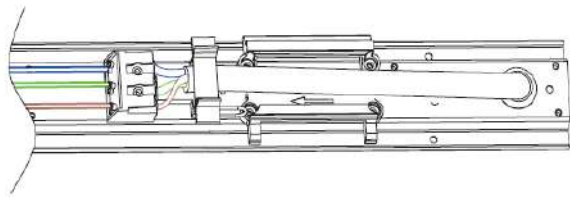
Knock the plastic anchors into ceiling.

STEP 2



Press the connectors, take out the ceiling plate.

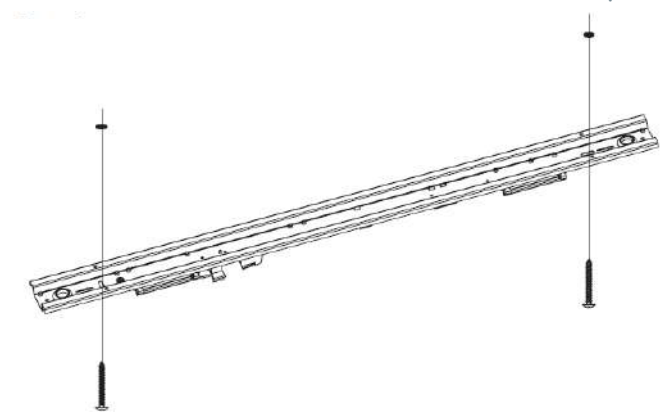
STEP 3



Standard	Emergency	DALI / 0-10V	
			L'=UNSWITCHED
			L=SWITCHED
			N=NEUTRAL
			DA/V+=DIM+
			DA/V-=DIM-
			⊕=GROUND

Connect the AC wires.

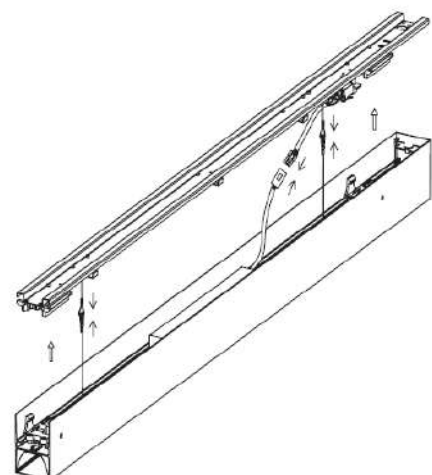
STEP 4



Fix the ceiling plate on the ceiling.

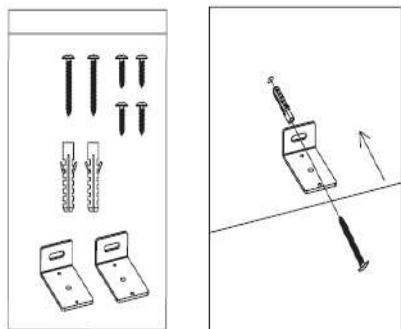
STEP 5

Connect AC plug, fix the safety rope, put the fixture into ceiling plate, make sure the connector hook hangs the ceiling plate tightly.



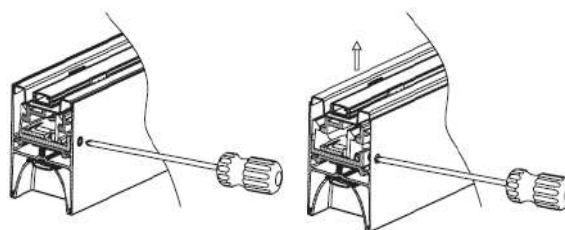
WALL MOUNTED INSTALLATION

STEP 1



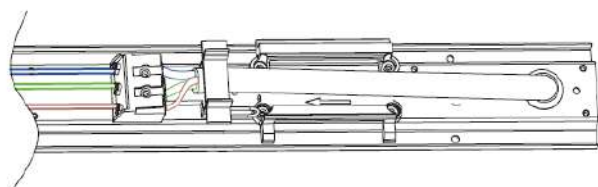
Knock the plastic anchors into the wall, fix the wall plate on the wall.

STEP 2



Press the connectors, take out the ceiling plate.

STEP 3

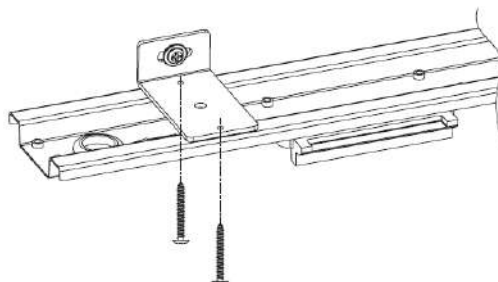


Standard	Emergency	DALI / 0-10V

L'=UNSWITCHED
L=SWITCHED
N=NEUTRAL
DA/V+=DIM+
DA/V-=DIM-
⊕=GROUND

Connect the AC wires.

STEP 4



Fix the ceiling plate on the wall plate.

STEP 5

Connect AC plug, fix the safety rope, put the fixture into ceiling plate, make sure the connector hook hangs the ceiling plate tightly.

