

LED freestanding luminaire  
OL07B-I03 Series





## Introduction

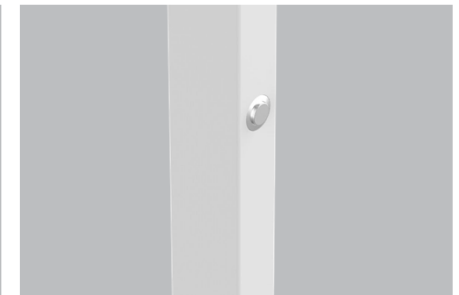
This OL07 freestanding lamp is composed of three parts: flat lamp body, lamp pole and lamp base. With a precise optical design (UGR<16, up 75% & down 25% lighting), it has direct lighting and indirect lighting, which ensures a more uniform and more comfortable lighting effect.

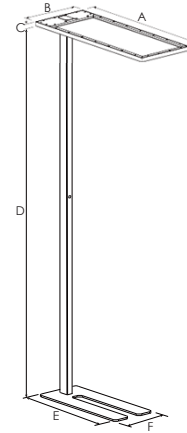
## Features

- Tridonic DALI DT8 Tunable white and Tridonic DALI DT6 Dimming are optional.
- Easy for assembly and maintenance.
- High lighting efficiency, 115lm/W.
- Precise optical design: Direct and indirect lighting, UGR<16, up 75% & down 25% lighting.
- Plug and play, convenient for different position.
- CASAMBI bluetooth smart control.

## Application Areas

It is specially designed for general lighting applications in office, meeting room, hotel etc.





## Measurement

Code	Dimension(mm)			Product Weight(kg)		Package weight(kg)		Carton Size(cm)	Qty/CTN	20GP (sets)	40HQ (sets)
	A	B	C	N.W/PC	G.W/PC	NW/CIN	GW/CIN				
OL07B Lamp body	920	300	24	920*300*24	3.4	4.2	10.2	13.58	98*23*37	3	
OL07B Lamp pole	D			1900*55*35	3.8	4.13	11.4	13.21	221.5*16*9.5	3	540
	1900										
OL07B Lamp base	E		F	580*240*8	6.8	7.2	21.6	23	66*31.5*16	3	
	580		240								

Technical Data Sheet		DALI DT8 Tunable white
Code No.	OL07B-100W-B-103	
Dimension(mm)	1925*920*300	
Cutout (mm)	-	
Watt(W)	100W	
Rated Input Voltage(V)	AC230V	
Input Voltage(V)	AC220-240V	
LED Module Input	-	
Light Source	SMD2835	
SDCM	<6	
CCT(K)	2700K-6500K	
CCT Selection	Yes	
Luminous Flux (lm) ±5%	8200-10800	
CRI	≥80	
Beam Angle (°)	120°	
UGR	<16	
LED Driver	Driver built-in	
Dimming Protocol	Bluetooth	
Sensor	NO	
Emergency Kits	NO	
Electrical Class	Class I	
Ingress Protection (IP Rating)	IP20	
Impact Resistance (IK Rating)	-	
Product Finishing(Base)	White RAL9016	
Optics Material	PMMA/PC	
Housing Material	Aluminium	
Lifetime (hr)	50,000h	
Glow wire test (°C)	750°C	
Operating Temp. (°C)	-10°C~40°C	
Storage Temp. (°C)	-20°C~60°C	
Installation	Pedestal mounted	

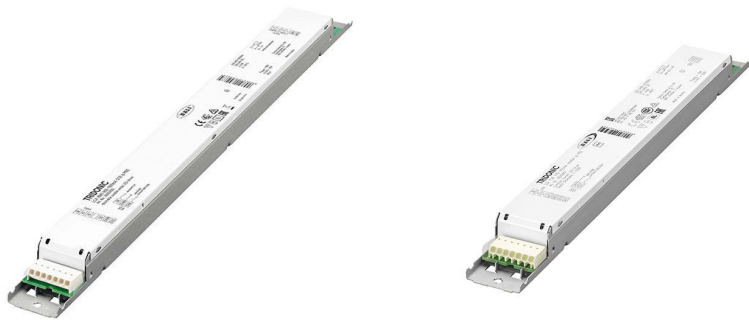
Technical Data Sheet		DALI DT6 Dimmable
Code No.	OL07B-100W-B1-103	
Dimension(mm)	1925*920*300	
Cutout (mm)	-	
Watt(W)	100W	
Rated Input Voltage(V)	AC230V	
Input Voltage(V)	AC220-240V	
LED Module Input	-	
Light Source	SMD2835	
SDCM	<6	
CCT(K)	3000K/4000K/5000K/5700K	
CCT Selection	-	
Luminous Flux (lm) ±5%	10500-11800	
CRI	≥80	
Beam Angle (°)	120°	
UGR	<16	
LED Driver	Driver built-in	
Dimming Protocol	Bluetooth	
Sensor	NO	
Emergency Kits	NO	
Electrical Class	Class I	
Ingress Protection (IP Rating)	IP20	
Impact Resistance (IK Rating)	-	
Product Finishing(Base)	White RAL9016	
Optics Material	PMMA/PC	
Housing Material	Aluminium	
Lifetime (hr)	50,000h	
Glow wire test (°C)	750°C	
Operating Temp. (°C)	-10°C ~40°C	
Storage Temp. (°C)	-20°C~60°C	
Installation	Pedestal mounted	

## Driver Datasheet(DALI)

Driver Code	LCA 85W 600–1800mA DT8 Ip PRE	LCA 75W 900–1800mA one4all Ip PRE	
Output	Output Voltage range	DC20-50V	DC20-46.9V
	Rated output current	50W@1100mA±5%	50W@1100mA±5%
	Line Regulation	±5%	
	Setup, Rise Time	≤1S@230V	
	Flickering Index	NO RISK	
Input	Input Voltage	AC198-264V	
	Rated Input Voltage(V)	AC220-240V	
	Frequency	47Hz-63Hz	
	Input Current	0.28A	0.28A
	Rated Input Current	0.25A	0.25A
	Power Factor	0.9	0.9
	THD	<20% @230V	
	Efficiency	≥90%	
	No load wattage	<0.5W	
Protection	Short circuit protection	Pass	
	Over voltage protection	Pass	
	Over temperature protection	Pass	
Safety &EMC	Withstand voltage	I/P-O/P:3.75KVAC5mA 60S;	I/P-FG:1.6kV 5mA 60S
	Isolation Resistance	I/P-FG O/P-FG: 500VDC,>2M Ω	
	Surge	IEC/EN61000-4-5 (P≥25w L-N:1KV, L/N-PE:2KV)	
	EMC Emission	EN55015,EN61000-3-2,EN61000-3-3, GB/T17743,GB17625.1,GB17625.2	
	EMC Immunity	EN61000-4-2,3,4,5,6,11, GB/T17626.2,3,4,5,6,11	

## Benefits

Flexible configuration via companionSUITE  
 Application-oriented operating window for maximum compatibility  
 Best energy savings due to low stand-by losses and high efficiency  
 Flexible configuration via DALI, and I-SELECT 2



## Driver LCA 85W 600–1800mA DT8 Ip PRE

### Product description

Dimmable built-in constant current 2-channel LED driver with DALI-2 DT8  
 Dimming range 3 to 100 %  
 Suitable for luminaires of protection class I and protection class II (see data sheet chapter 3.4 for details)  
 Output current adjustable between 600 – 1,800 mA for each channel  
 Max. output power 85 W  
 Up to 90 % efficiency  
 Power input on stand-by < 0.5 W

### Functions

Adjustable output current in 1-mA-steps (DALI) or with resistor plug (I-SELECT 2)  
 Constant light output function (CLO)  
 colourSWITCH with predefined colours  
 switchDIM and colourSWITCH with memory function  
 Power-up fading and fade2zero  
 Configurable via DALI  
 Protective features (overtemperature, short-circuit, overload, no-load, reduced surge amplification)  
 Intelligent Voltage Guard (overvoltage and undervoltage monitoring)

## Driver LCA 75W 900–1800mA one4all Ip PRE

### Product description

- NEW: lumDATA (DALI-2 part ext. 251, 252 and 253)
- Dimmable built-in constant current LED driver
- Dimming range 1 to 100 %
- For luminaires of protection class I and protection class II
- Output current adjustable between 900 – 1,800 mA
- Max. output power 75 W
- Up to 91 % efficiency
- Power input on stand-by < 0.15 W

### Functions

- Adjustable output current in 1-mA-steps (DALI, ready2mains, I-SELECT 2)
- Fulfills DALI-2 parts: 251 (Luminaire data), 252 (Energy reporting) and 253 (Diagnostics & Maintenance)
- Constant light output function (CLO)
- Power-up fading at AC
- Configurable via ready2mains
- Switch off the driver with fade2zero
- Service monitor to log certain events
- Protective features (overtemperature, short-circuit, overload, no-load, input voltage range, reduced surge amplification)
- Intelligent Voltage Guard (overvoltage and undervoltage monitoring)

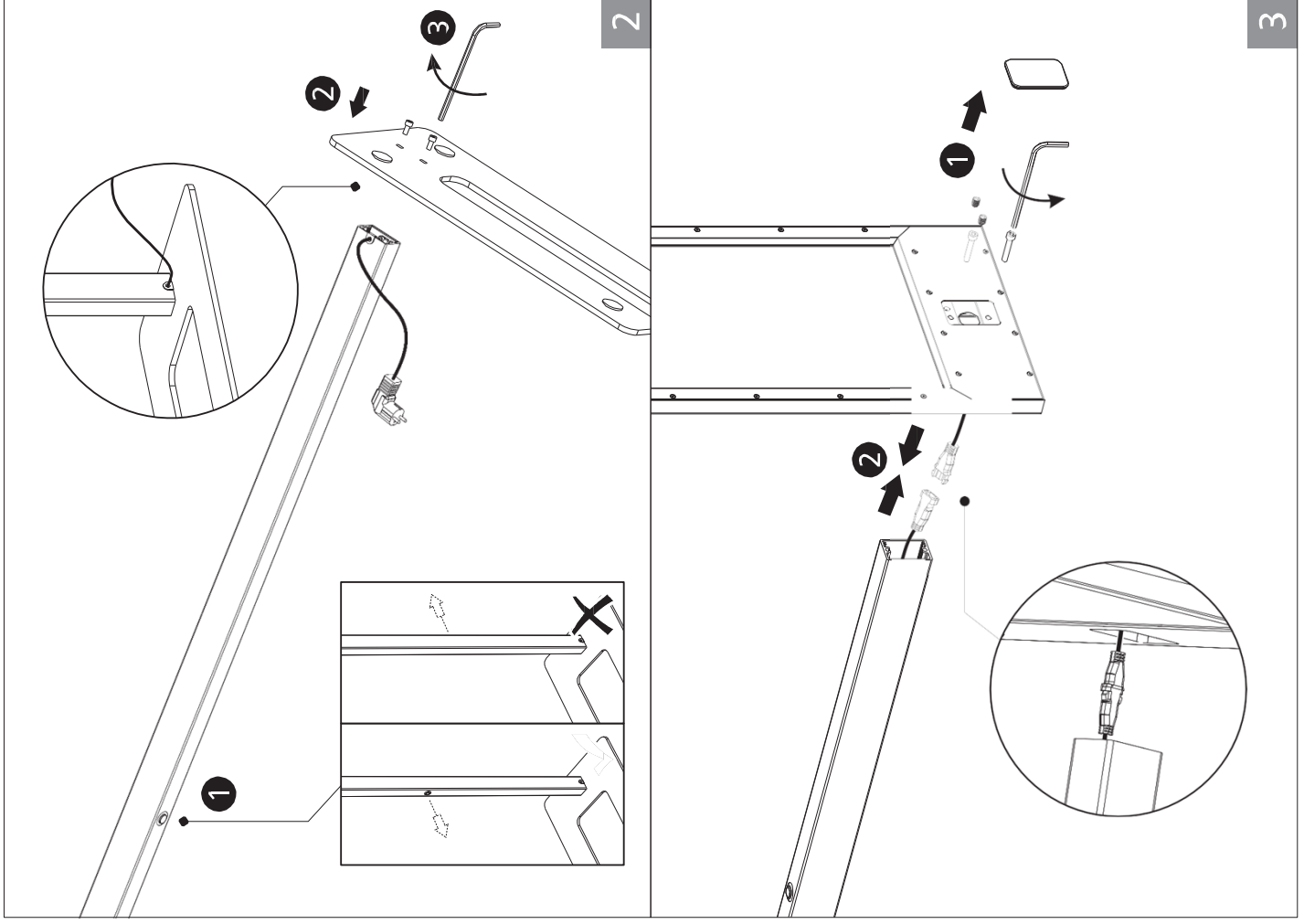
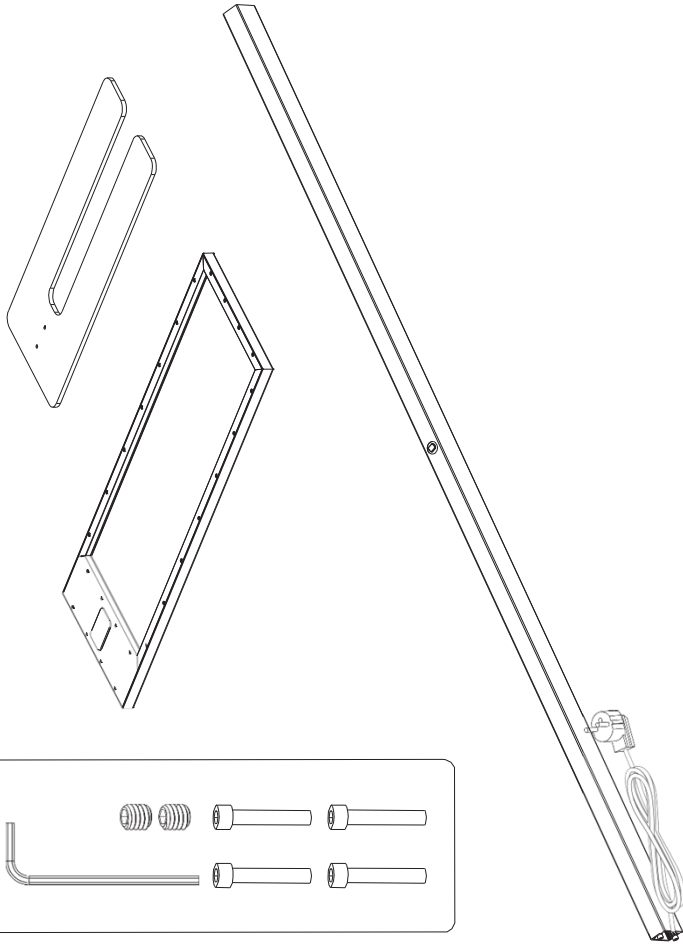
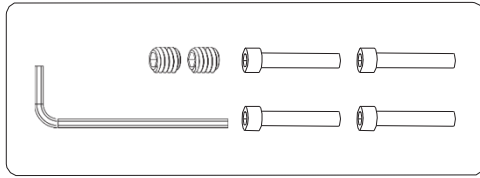
## WARNING

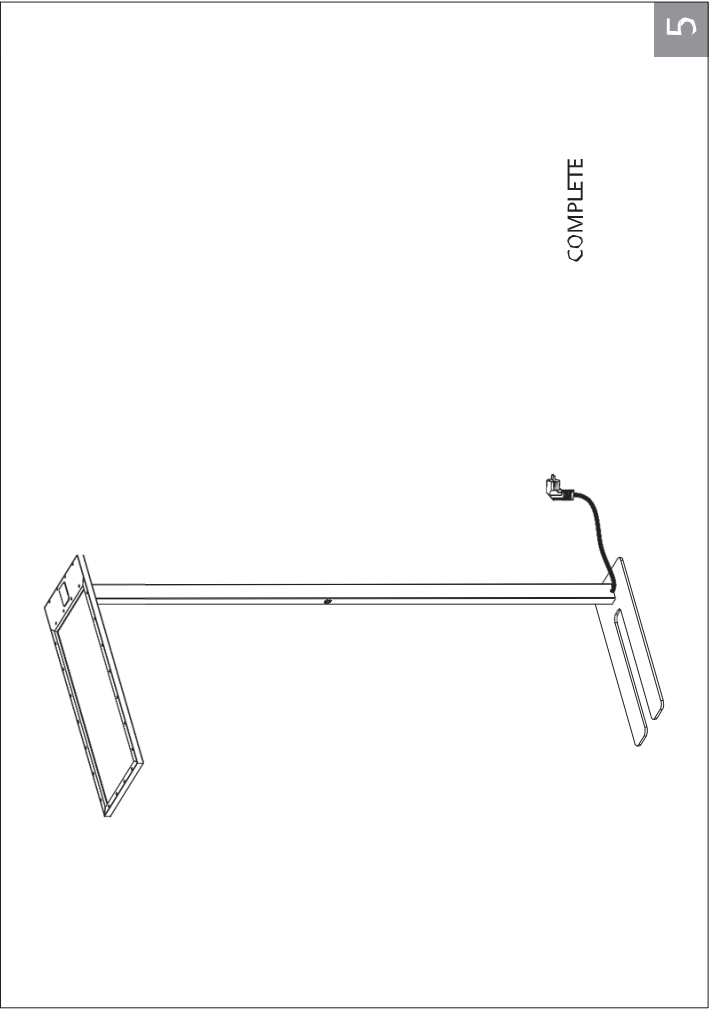
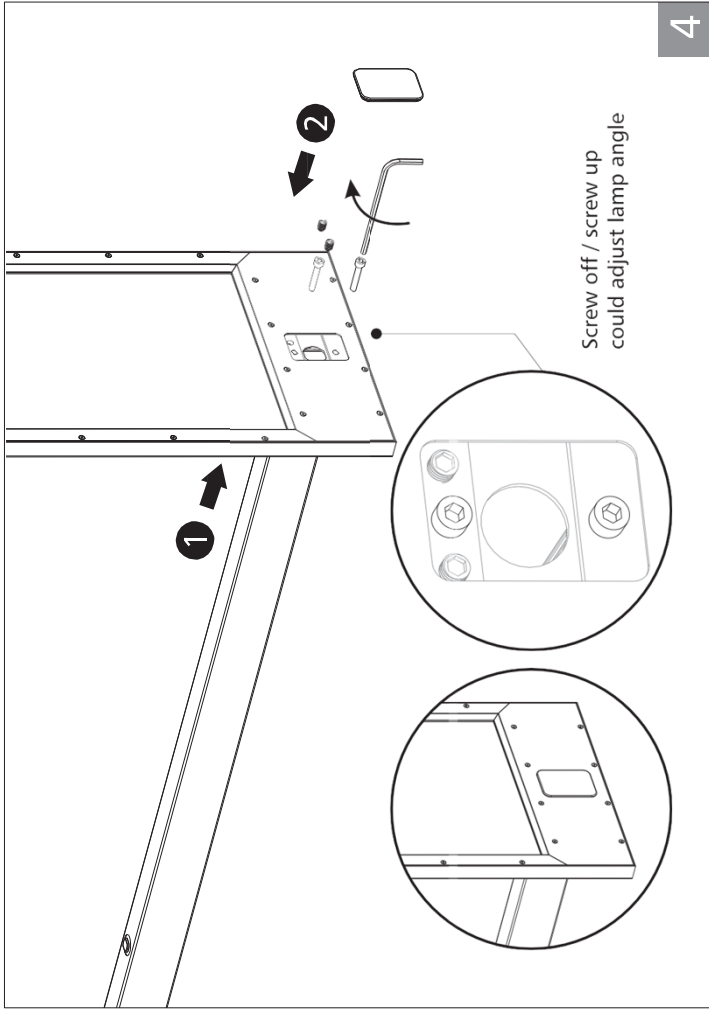
1. Switch off before installation.
2. Switch on only after complete installation and examination of the circuit.
3. Professional electrician for installation and maintenance only.



Turn Off  
Power Supply

## ■ Pedestal Installation





**ECO**  
Specifications

**STD**  
Specifications

**PRO**  
Specifications

**ODM**  
Specifications

  
**INT**  
Intelligent



**RL Europe**  
Your partner in LED

[www.rleurope.ch](http://www.rleurope.ch)

[info@rleurope.ch](mailto:info@rleurope.ch)

TEL: +41 (0)91 6832255

Add: via E. Bossi 12/B, CH-6830 Chiasso (TI)