

Entry / ECO

Standard / STD

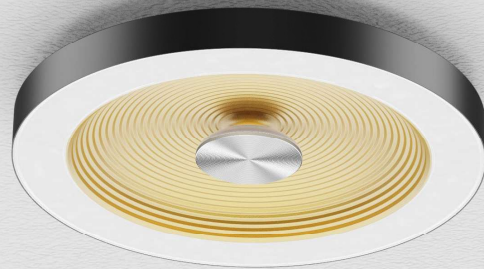
Professional / PRO

ODM & OEM

Intelligent / INT



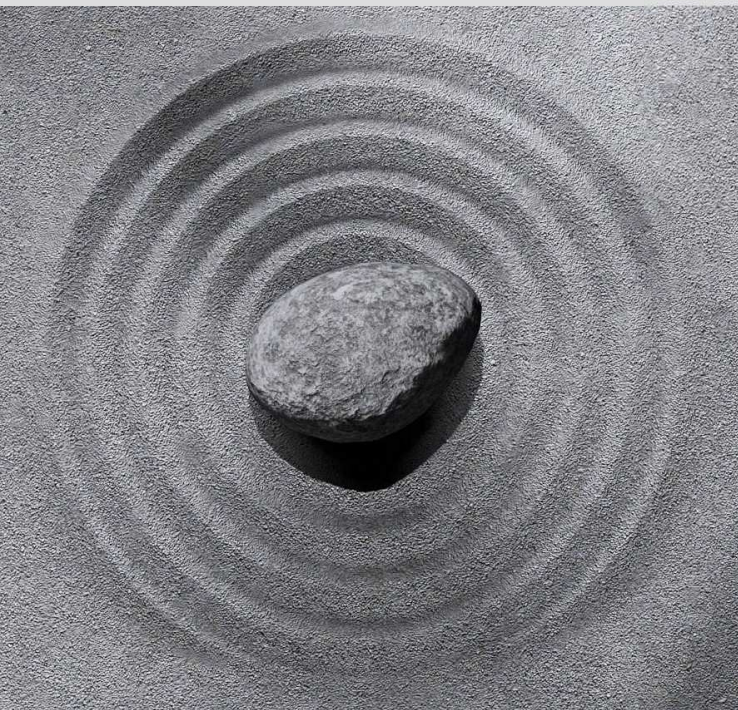
PRO
Specifications



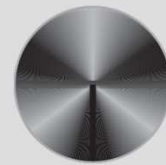
LED Ceiling Light
AL173 Series

AL173

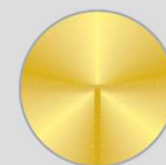
LED Ceiling Light



White RAL9016



Black RAL9005



Golden



Introduction

This ceiling lamp supports both surface mounting and suspension install. It has two light sources, the main light source is illuminated from edge for lighting use, and another light source is illuminated from top and the wavy lines of diffuse reflection create a soft and warm atmosphere. The decorative cover adopts CD pattern processing technology, which makes the whole lamp highly recognizable, aesthetic and advanced visual perception.

Features

- Rotate design for quick install, available for both rear and side cable entry.
- The wavy lines of diffuse reflection create a soft and warm atmosphere.
- Interchangeable CCT(3000K+4000K+5700K) by slide switch.
- IP54 for the whole lamp.
- Internal flicker free driver.
- Triac dimming available.

Application Areas

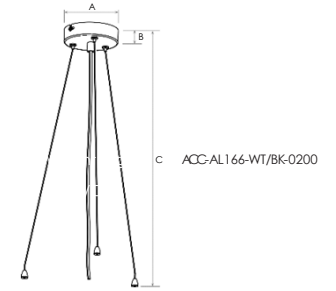
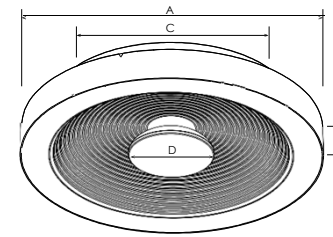
It is designed for general lighting applications. It is also widely used for public areas, such as stairway, lobby, reception, corridors etc.





Technical Data Sheet

Code No.	AL173-12-18W	AL173-16-25W		
Dimension(mm)	Ø320*64	Ø400*64		
Cutout (mm)	-			
Watt(W)	18W	25W		
Rated Input Voltage(V)	220-240V			
Input Voltage(V)	200-240V			
LED Module Input	-			
Light Source	SMD			
SDCM	≤6			
CCT(K)	1-CCT: 3000K/4000K/5000K/5700K 3-CCT: 3000K + 4000K+5700K			
CCT Selection DIP Switch	YES			
Luminous Flux (lm) ±5% (White finish & White ring)	Non-DIM	1-CCT	1050-1200	1520-1750
	DIM	1-CCT	1030-1180	1510-1730
	Non-DIM	3-CCT	1050-1200	1520-1750
	DIM	3-CCT	1030-1180	1510-1730
Luminous Flux (lm) ±5% (Black finish & Golden ring)	Non-DIM	1-CCT	600-750	990-1250
	DIM	1-CCT	590-740	980-1230
	Non-DIM	3-CCT	600-750	990-1250
	DIM	3-CCT	590-740	980-1230
CRI	≥80			
Beam Angle (°)	120°			
UGR	-			
LED Driver	Built-in			
Dimming Option	Triac			
Sensor	No			
Emergency Kits	No			
Electrical Class	Class II			
Ingress Protection (IP Rating)	IP54(Pendant installation IP20 only)			
Impact Resistance (IK Rating)	IK06			
Product Finishing	White RAL9016 & Black RAL9005 & Golden			
Materials of Optics	PC			
Materials of Housing	PC			
Lifetime (hr)	50,000h			
Glow wire test (°C)	750°C			
Operating Temp. (°C)	-20°C~45°C			
Storage Temp. (°C)	-20°C~65°C			
Installation	Surface mount / Pendant			



Measurement

Code	Dimension(mm)				Size(mm)	Product Weight (Kg)		Package weight (Kg)		Carton Size (cm)	Qty/CTN	20GP (pcs)	40HQ (pcs)
	A	B	C	D		N.W/PC	G.W/PC	N.W/CTN	G.W/CTN				
AL173-12-18W	320	64	250	90	Ø320*64	1.06	1.56	6.36	10.86	45.5*35*36	6	2880	6720
AL173-16-25W	400	64	306	90	Ø400*64	1.35	1.94	8.1	13.64	45.5*43*44	6	1950	3900
ACC-AL166-WI/BK-0200	100	25	1500		Ø100*1500	0.27	0.3	16.2	18	56.5*45.5*28	60	24000	54000

Driver Datasheet(Non-dimmable)

Total load wattage		18W	25W
Output	Output Voltage range	DC60-75V	
	Rated output current	240mA	
	Line Regulation	±5%	
	Setup, Rise Time	<0.5S	
	Flickering Index	≤3%.IEEE1789 NO RISK	
	Input	Input Voltage	AC200-240V
Rated Input Voltage(V)		AC230V	
Frequency		50/60Hz	
Input Current		≤0.1A	≤0.14A
Rated Input Current		≤0.09A	≤0.13A
Power Factor		0.9	
THD		-	
Efficiency		≥85%	
No load wattage		<0.5W	
Protection	Short circuit protection	PASS	
	Over voltage protection	PASS	
	Over temperature protection	PASS	
Safety &EMC	Withstand voltage	-	
	Isolation Resistance	-	
	Surge	IEC/EN61000-4-5 (P<25W; L-N:500V)	IEC/EN61000-4-5 (P≥25w; L-N:1KV)
	EMC Emission	EN55015, EN61000-3-2	
	EMC Immunity	EN61000-4-2,3,4,5,6,8,11; EN61547	

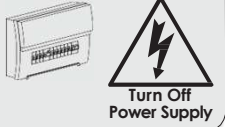
Driver Datasheet(Triac Dimmable)

Total load wattage		18W	25W
Output	Output Voltage range	60-75V	60-75V
	Rated output current	230mA	320mA
	Line Regulation	±5%	
	Setup, Rise Time	<1S	
	Flickering Index	<5% ,IEEE1789 NO RISK	
Input	Input Voltage	AC200-240V	
	Rated Input Voltage(V)	230V	
	Frequency	50Hz	
	Input Current	≤0.1A	≤0.14A
	Rated Input Current	≤0.09A	≤0.13A
	Power Factor	0.9	
	THD	<20% @230V	
	Efficiency	≥84%	
	No load wattage	<1W	
	Protection	Short circuit protection	PASS
Over voltage protection		PASS	
Over temperature protection		PASS	
Safety & EMC	Withstand voltage	-	
	Isolation Resistance	-	
	Surge	IEC/EN61000-4-5(P<25W; L-N:500V), IEC/EN61000-4-5(P≥25w; L-N:1KV)	
	EMC Emission	EN55015, EN61000-3-2	
	EMC Immunity	EN61000-4-2,3,4,5,6,8,11; EN61547	

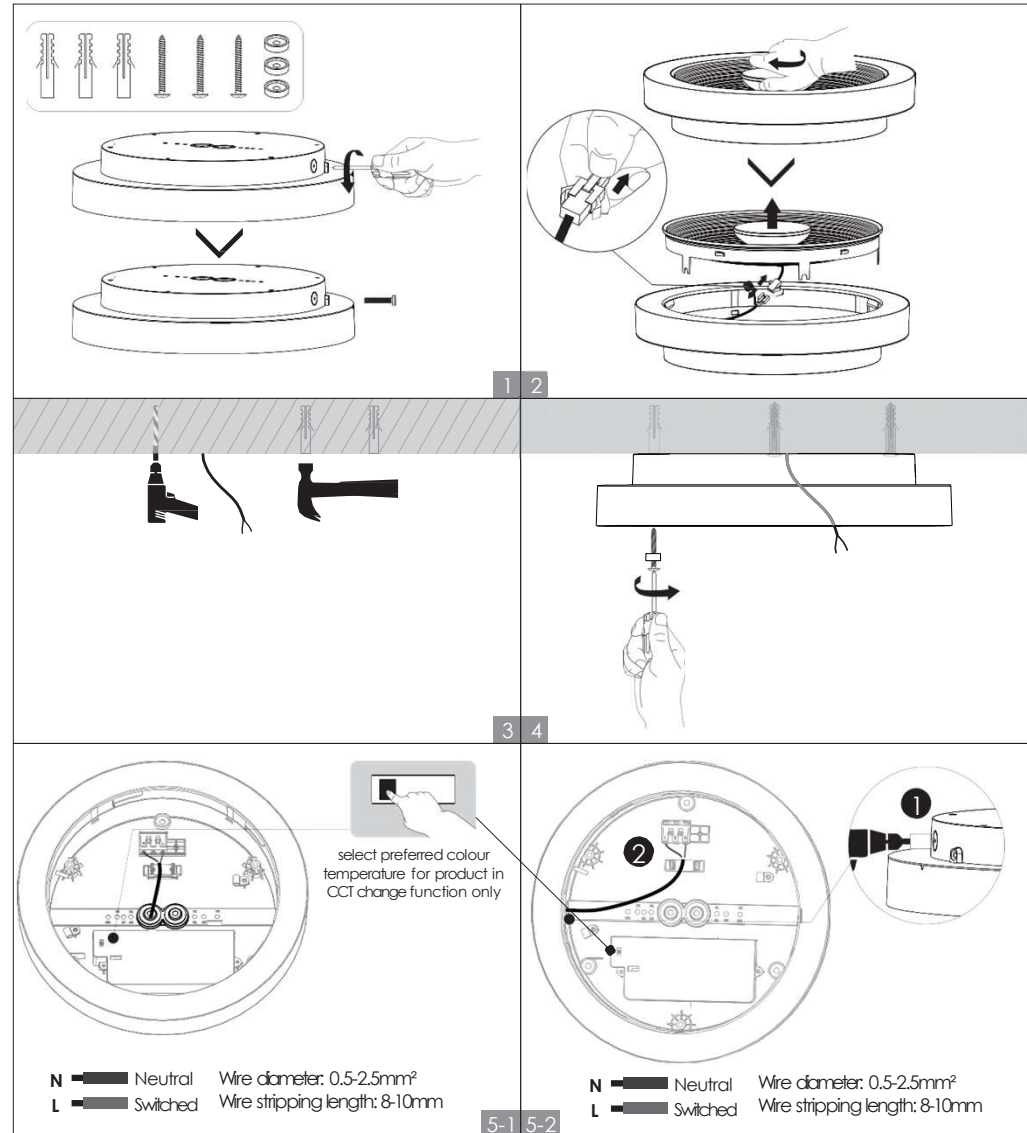
Installation Instruction

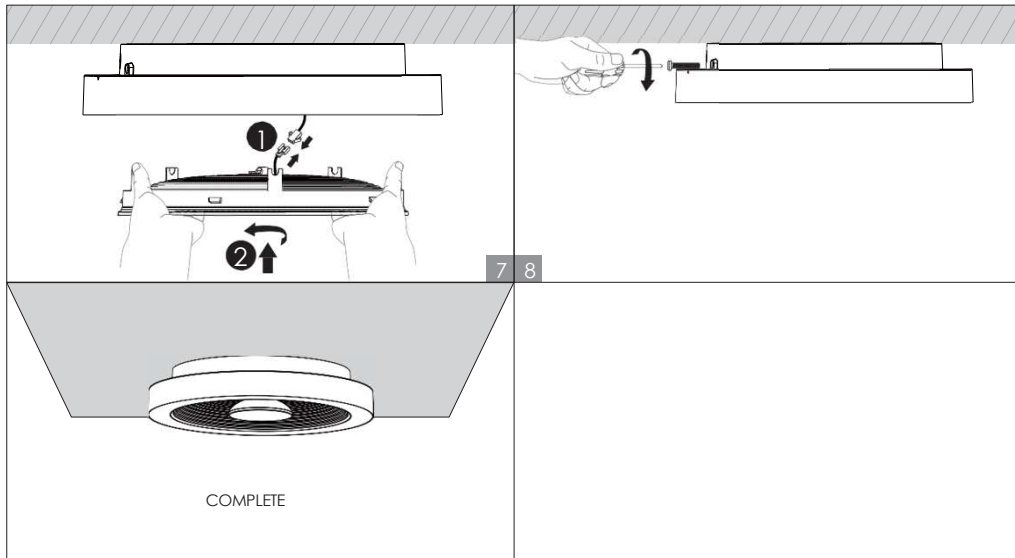
WARNING

1. Switch off before installation.
2. Switch on only after complete installation and examination of the circuit.
3. Professional electrician for installation and maintenance only.

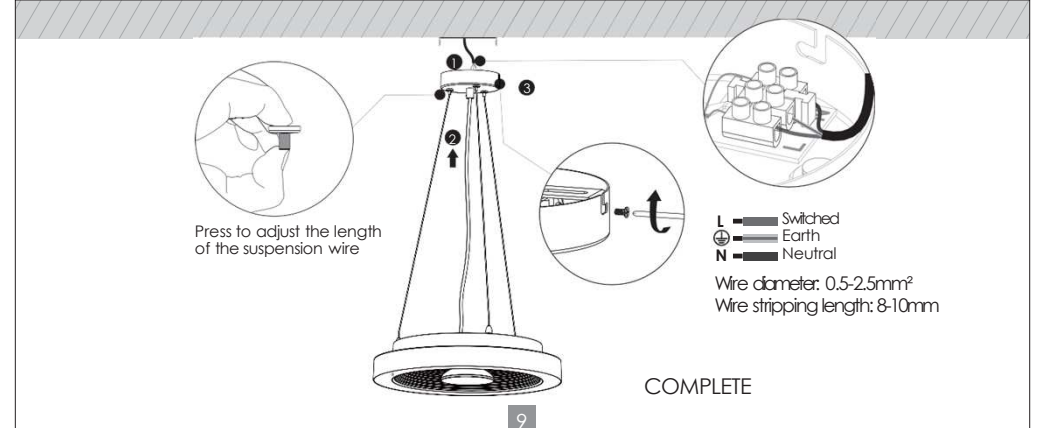
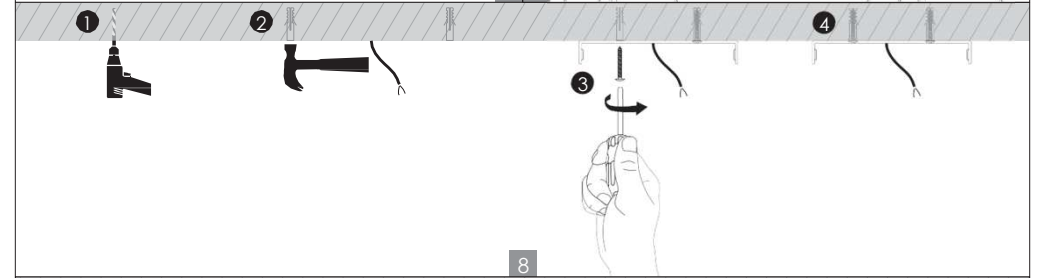
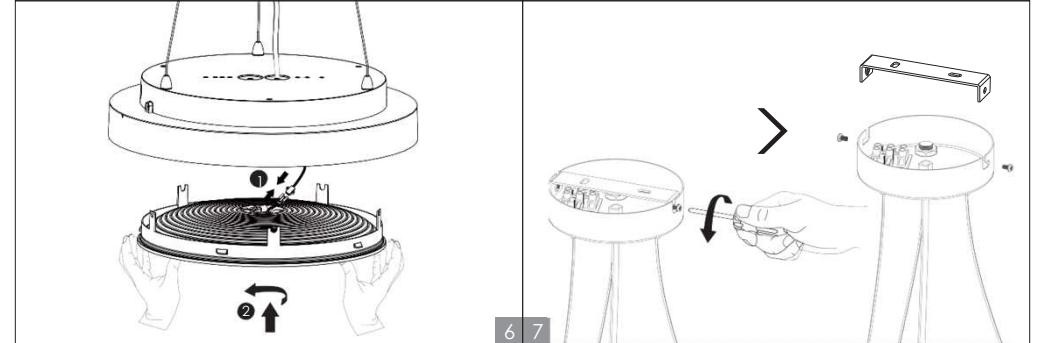
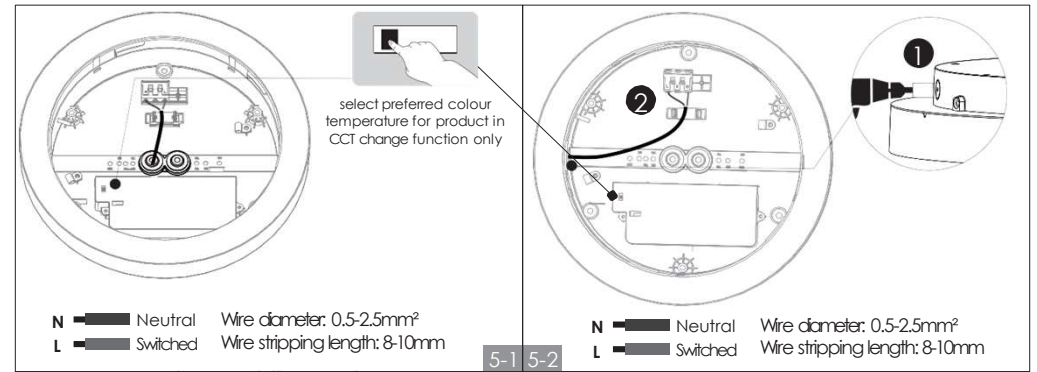
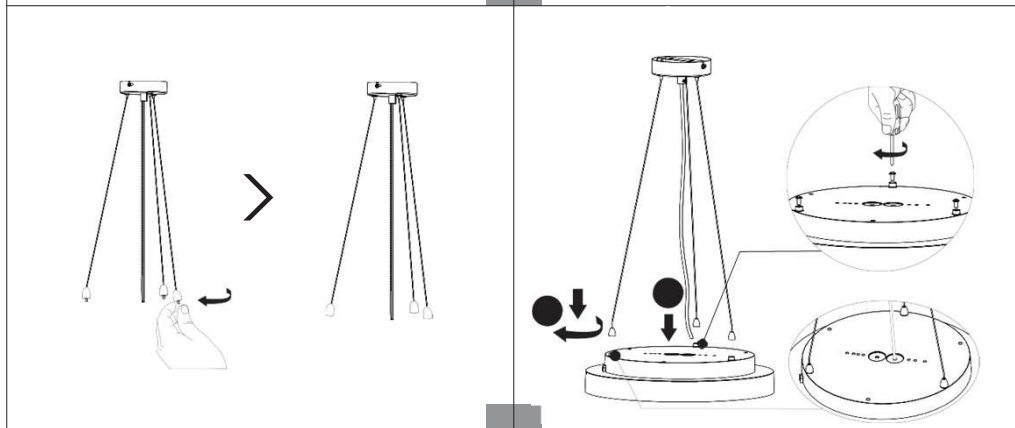
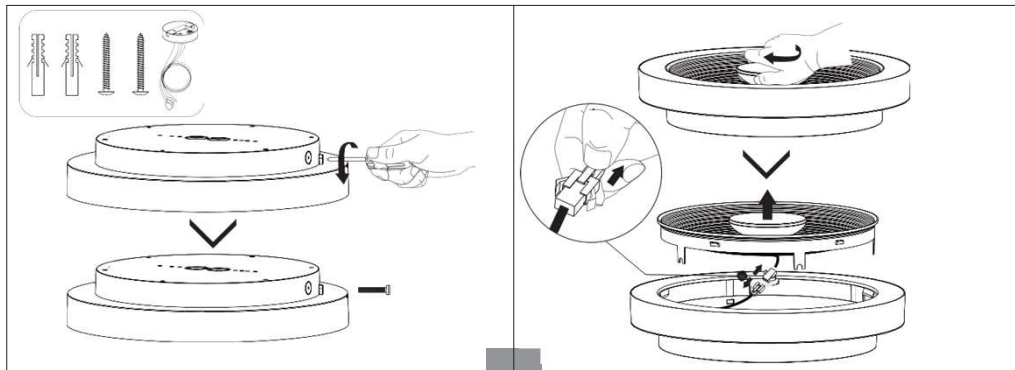


Surface mounted installation





Suspended installation (With round ceiling plate)





RL Europe
Your partner in LED

www.rleurope.ch

info@rleurope.ch

TEL: +41 (0)91 6832255

Add: via E. Bossi 12/B, CH-6830 Chiasso (TI)