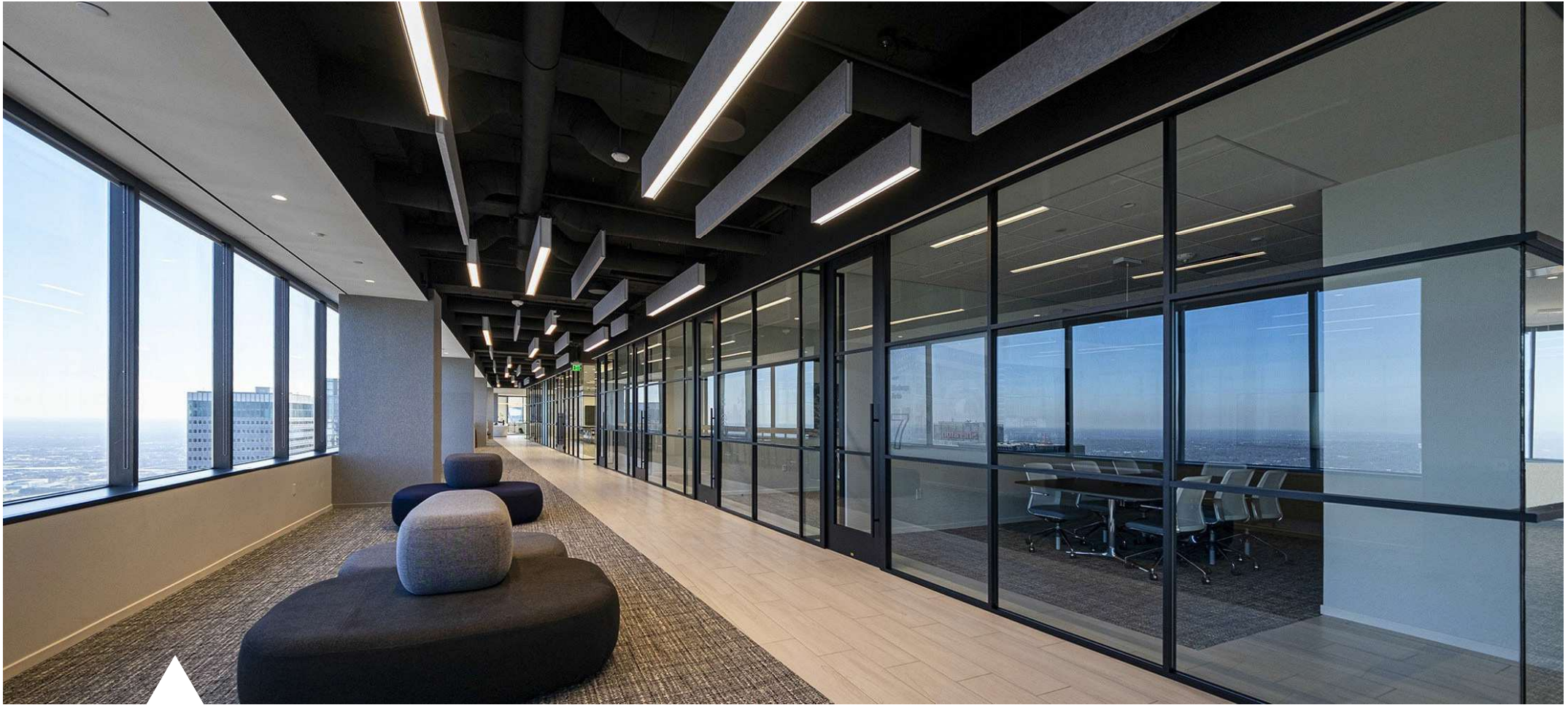


Entry/ECO    Standard/STD    Professional/PRO    ODM & OEM    Intelligent/INT



LED Linear  
DB160-I03 Acoustic lighting Series





## Introduction

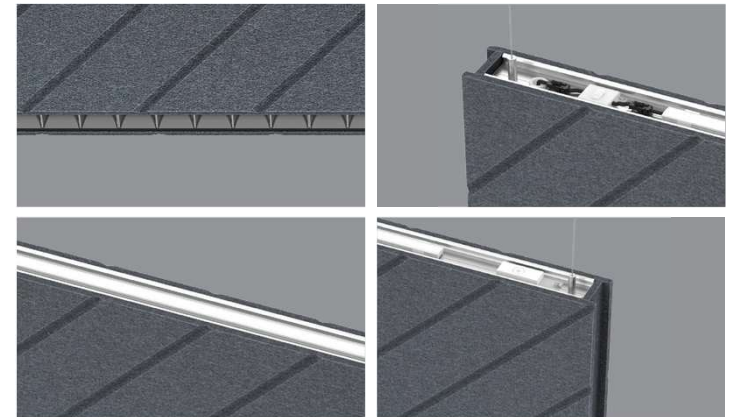
Bridging sound management and architectural lighting, DB160 is an integrated acoustic linear system that offers unmatched possibilities to control noise and provide optimal lighting in commercial environments. For optic design, DB160 adopts high lumen SMD light source, direct and indirect lighting design offers a uniform light distribution. For sound management, the polyester fiber sound-absorbing board is with striped grooves, and the concave-convex structure can fully diffuse excess sound rays, which can realize frequency sound absorption and diffusion, making the sound clearer and fuller, better integration of acoustics and modern lamps together.

## Features

- Three types option: DB160A with grill reflector, DB160B with opal diffuser, DB160C with prismatic diffuser.
- Direct(80%) & indirect(20%) lighting design.
- High lumen efficiency, 95lm/W@DB160A/C, 120lm/W@DB160B.
- UGR<19 for DB160A.
- Interchangeable CCT(3000K+4000K)with slide switch.
- The color of polyester fiber sound-absorbing board can be customized(Standard color is grey)
- Internal flicker free driver, Osram brand for non-dim version, Boke brand for DALI dimming version.
- CASAMBI bluetooth smart control.

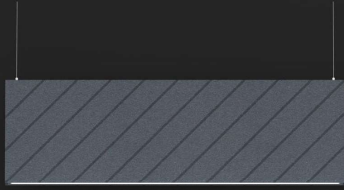
## Application Areas

This sound-absorbing linear light is widely used in sports hall, restaurant, office, meeting room, study room etc.

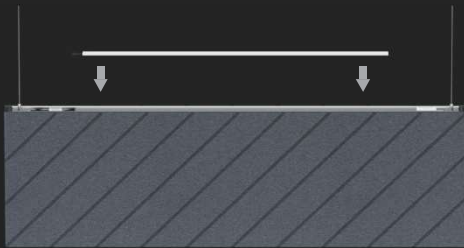




Direct & indirect light emission by adding upward LED module



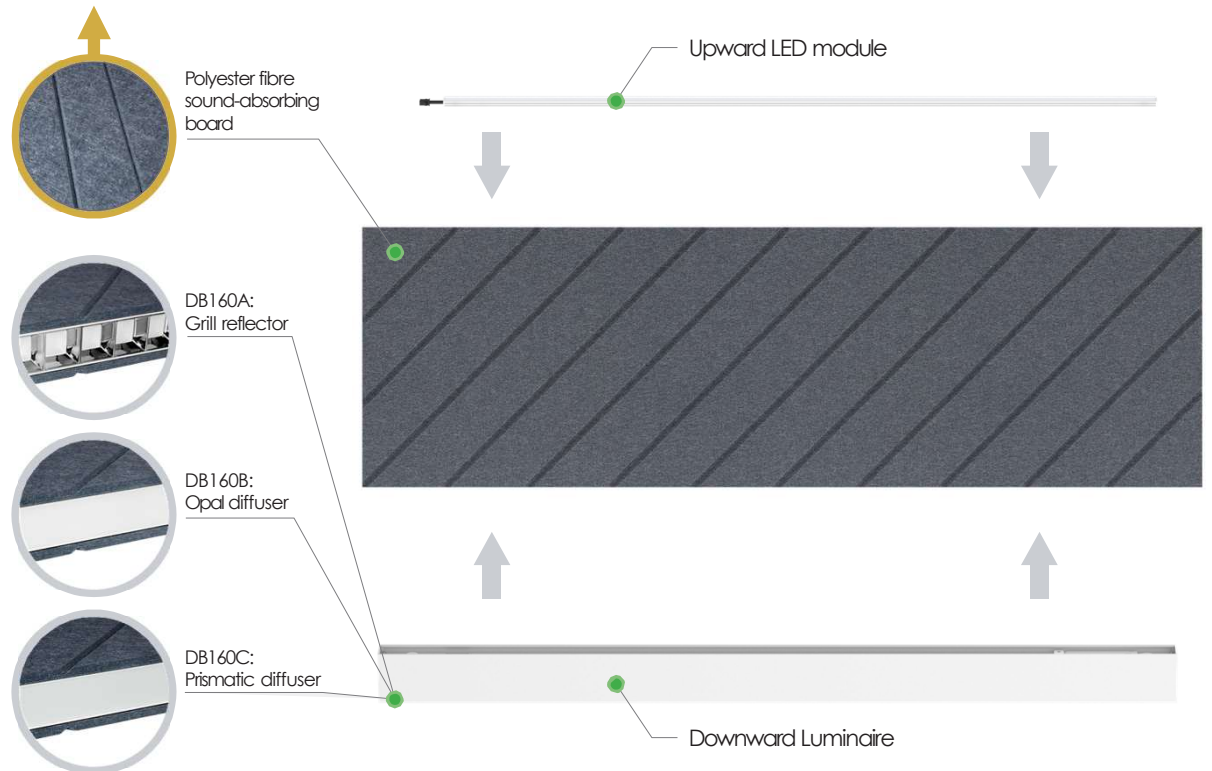
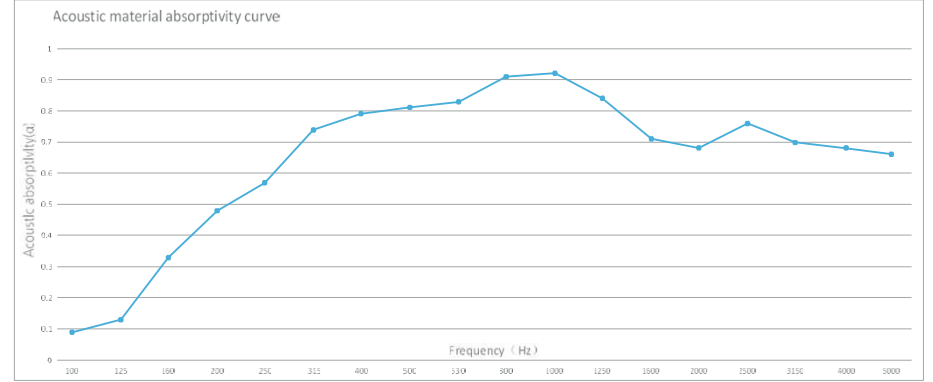
Direct light emission



Direct / indirect light emission

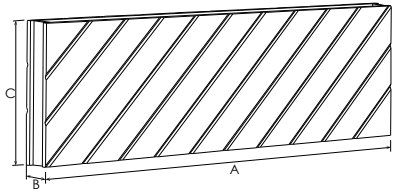
## Measurement of sound absorption in a reverberation room

Frequency (Hz)	Acoustic absorptivity(α)
100	0.09
125	0.13
160	0.33
200	0.48
250	0.57
315	0.74
400	0.79
500	0.81
630	0.83
800	0.91
1000	0.92
1250	0.84
1600	0.71
2000	0.68
2500	0.76
3150	0.7
4000	0.68
5000	0.66





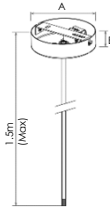
Technical Data Sheet		DALI DT8 Tunable white						DALI DT6 Dimmable							
Code No.	DB160A-1200-36W-B103/ACC-DB160	DB160A-1500-50W-B103/ACC-DB160	DB160A-1200-46W-B1-103/ACC-DB160	DB160A-1500-65W-B103/ACC-DB160	DB160B-1200-46W-B103/ACC-DB160	DB160B-1500-65W-B1-103/ACC-DB160	DB160C-1200-46W-B103/ACC-DB160	DB160C-1500-65W-B103/ACC-DB160	DB160C-1200-46W-B103/ACC-DB160	DB160C-1500-65W-B103/ACC-DB160	DB160C-1200-46W-B103/ACC-DB160	DB160C-1500-65W-B103/ACC-DB160	DB160C-1200-46W-B103/ACC-DB160	DB160C-1500-65W-B103/ACC-DB160	
Dimension(mm)	1292*64*400	1500*64*400	1292*64*400	1500*64*400	1292*64*400	1500*64*400	1292*64*400	1500*64*400	1292*64*400	1500*64*400	1292*64*400	1500*64*400	1292*64*400	1500*64*400	
Cutout (mm)	-														
Watt(W)	Direct	36W	50W	36W	36W	50W	50W	36W	36W	50W	50W	36W	36W	50W	50W
	Indirect	-	-	-	10W	-	15W	-	10W	-	15W	-	10W	-	15W
Rated Input Voltage(V)	220-240V														
Input Voltage(V)	230V														
LED Module Input	-														
Light Source	SMD														
SDCM	<6														
CCT(K)	CCT: 2700K-6500K						2-CCT:3000K + 4000K								
CCT Selection DIP Switch	-						YES								
Luminous Flux (lm) ±5% (White color)	3050-3800	4300-5000	3050-3800	4200-5000	4300-5000	5600-6800	3750-4550	4600-5750	5000-6200	6500-8000	3050-3800	4000-4800	4500-5800	6000-7500	
Remark: If the downward Luminaire with black color, lumen will decrease 15% (Type A will keep the same )															
CRI	80														
Beam Angle (°)	80°×50°	80°×50°	80°×50° (Direct)	110° (Indirect) 80°×50° (Direct)	80°×50° (Direct)	110° (Indirect) 80°×50° (Direct)	105°(Direct)	110° (Indirect) 105° (Direct)	105°(Direct)	110° (Indirect) 105° (Direct)	90°(Direct)	110° (Indirect) 90° (Direct)	90°(Direct)	110° (Indirect) 90° (Direct)	
UGR	<19														
LED Driver	Built-in														
Dimming protocol	Bluetooth														
Sensor	NO														
Emergency Kits	NO														
Electrical Class	Class I														
Ingress Protection (IP Rating)	IP20														
Impact Resistance (IK Rating)	-														
Product Finishing(Base)	Grey														
Materials of Optics	PC														
Materials of Housing	Polyester fibre (sound-absorbing board); Aluminum (luminaire)														
Lifetime (hr)	50,000h														
Glow wire test (°C)	750°C														
Operating Temp. (°C)	-20~30°C														
Storage Temp. (°C)	-20°C~65°C														
Installation	Pendant														



DB160/ACC-DB160  
Acoustic lighting fixture



ACC-DB160-1200/1500  
Upward LED module



ACC-DB160-(DA/D0)-BK(WT)-0200  
Round ceiling plate

## Measurement

Code	Dimension(mm)			Size(mm)	Product Weight(Kg)		Package weight (Kg)		Carton Size(cm)	Qty/CTN	20GP (pcs)	40HQ (pcs)
	A	B	C		N.W/PC	G.W/PC	N.W/CTN	G.W/CTN				
DB160-1200/ACC-DB160	1292	64	400	1292*64*400	5.28	6.75	5.28	6.75	132*9*48	1	460	1043
DB160-1500/ACC-DB160	1500	64	400	1500*64*400	5.95	7.62	5.95	7.62	153*9*48	1	366	915
ACC-DB160-1200	853	17.3	7	853*17.3*7	0.135	-	3.24	6.78	91.5*37.5*13	24	14976	34368
ACC-DB160-1500	1061	17.3	7	1061*17.3*7	0.16	-	3.84	7.38	112.5*37.5*13	24	12288	28320
ACC-DB160-(DA/D0)-BK(WT)-0200	Ø100	25	-	Ø100*25	0.28	0.31	1.12	1.35	26.5*13.5*14	4	20736	48624

## Driver Datasheet (DALI DT8)

Total load wattage		36W	50W
Output	Output Voltage range	12-42V	
	Rated output current	1050mA	1400mA
	Line Regulation	±5%	
	Setup, Rise Time	<0.6S@230V	
	Flickering Index	0.48%(NO RISK)	0.52%(NO RISK)
Input	Input Voltage	180-264V	
	Rated Input Voltage(V)	200-240V	
	Frequency	50 / 60 Hz	
	Input Current	≤0.22A	≤0.31A
	Rated Input Current	≤0.20A	≤0.28A
	Power Factor	0.9	
	THD	< 15 %@230V	
	Efficiency	88%	
	No load wattage	<0.5W	
	Protection	Short circuit protection	PASS
Over voltage protection		PASS	
Over temperature protection		PASS	
Safety & EMC	Withstand voltage	I/P-FG:1.5kVac,<5mA 60S	
	Isolation Resistance	500VDC, ≥2M Ω	
	Surge	IEC/EN61000-4-5 (P≥25w L-N:1KV, L/N-PE:2KV)	
	EMC Immunity	EN55015, EN61000-3-2	

## Driver Datasheet (DALI DT6)

Total load wattage		36W	46W	50W	65W
Output	Output Voltage range	DC6-42V			
	Rated output current	1050mA		1400mA	
	Line Regulation	±5%			
	Setup, Rise Time	<0.6S@230V			
	Flickering Index	0.36%(NO RISK)		0.29%(NO RISK)	
Input	Input Voltage	AC180-264V			
	Rated Input Voltage(V)	AC200-240V			
	Frequency	50 / 60 Hz			
	Input Current	≤0.22A	≤0.28A	≤0.31A	≤0.40A
	Rated Input Current	≤0.20A	≤0.26A	≤0.28A	≤0.36A
	Power Factor	0.9			
	THD	<15 %@230V			
	Efficiency	88%			
	No load wattage	<0.5W			
	Protection	Short circuit protection	PASS		
Over voltage protection		PASS			
Over temperature protection		PASS			
Safety & EMC	Withstand voltage	I/P-FG:1.5kVac,<5mA 60S			
	Isolation Resistance	500VDC, ≥2M Ω			
	Surge	IEC/EN61000-4-5 (P≥25w L-N:1KV, L/N-PE:2KV)			
	EMC Immunity	EN55015, EN61000-3-2			

## Installation Procedure

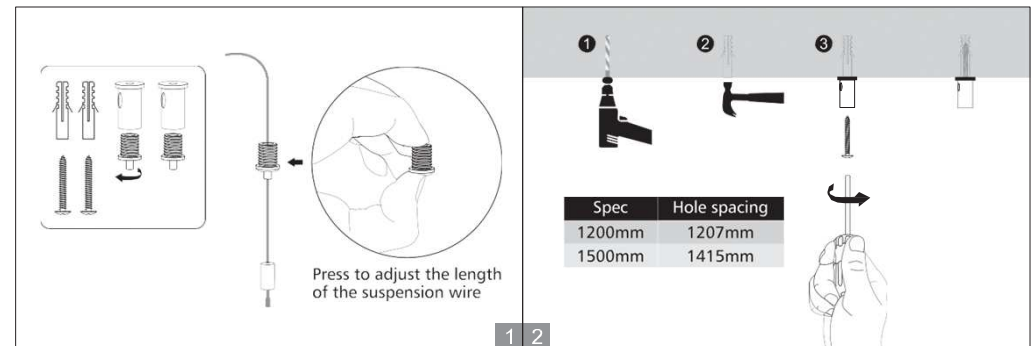
### WARNING

1. Switch off before installation.
2. Switch on only after complete installation and examination of the circuit.
3. Professional electrician for installation and maintenance only.

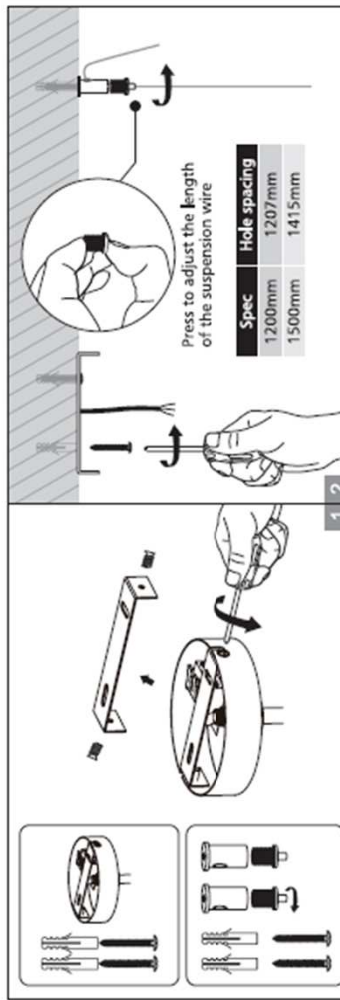


Turn Off power supply before starting any installation. Read instructions & check you have all the tools & accessories to complete the installation correctly.

## Suspended Installation (Without round ceiling plate)

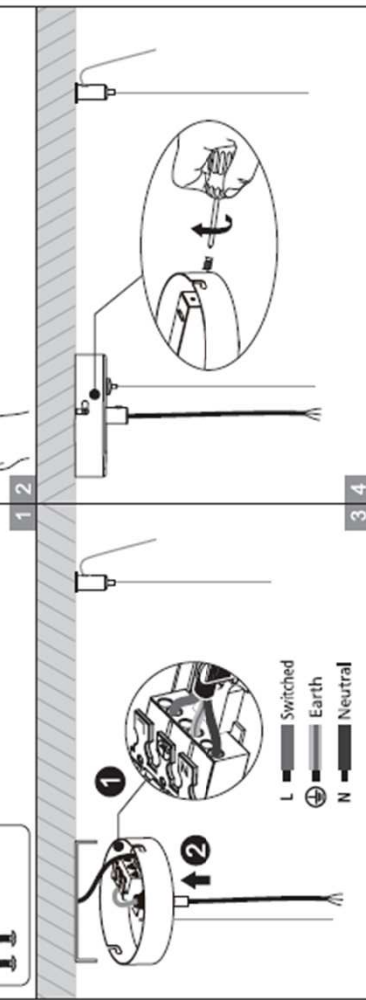


# Suspended installation (With round ceiling plate)



Press to adjust the length of the suspension wire

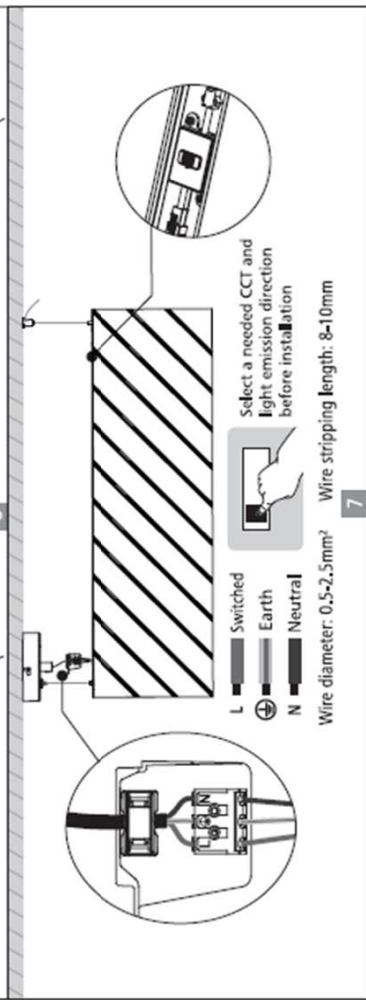
Spec	Hole spacing
1200mm	1207mm
1500mm	1415mm



L = Switched  
⊕ = Earth  
N = Neutral



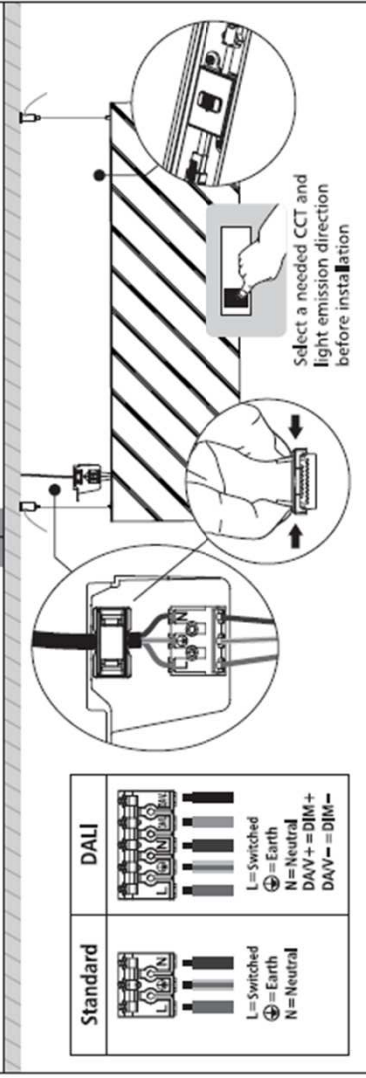
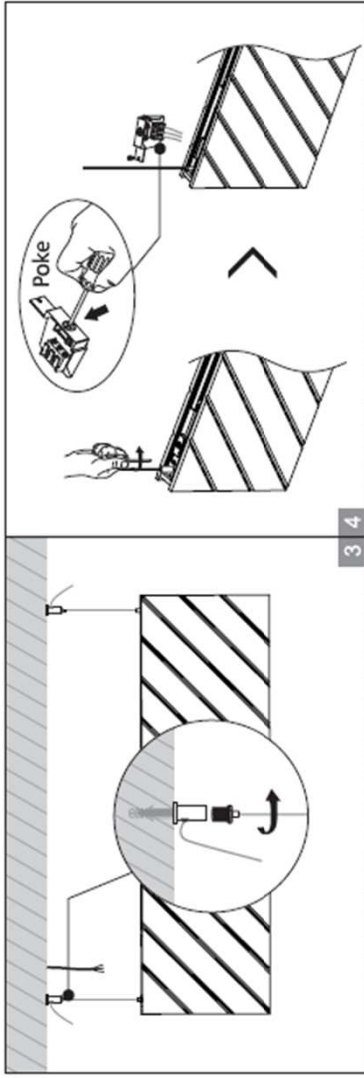
Poke



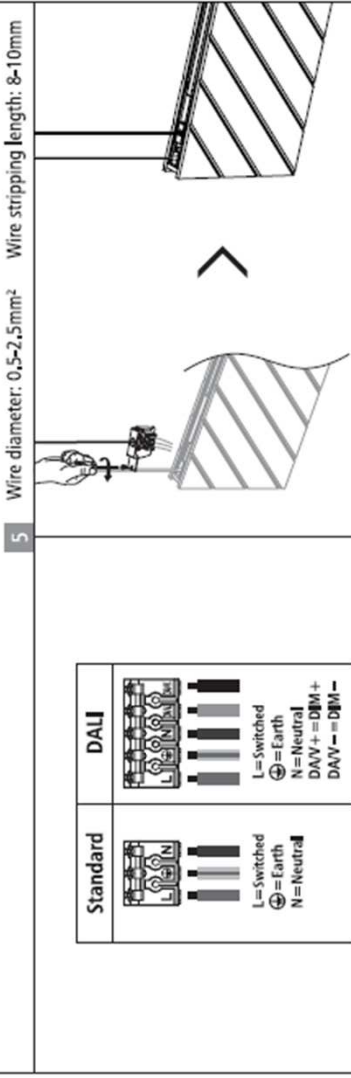
Select a needed CCT and light emission direction before installation

L = Switched  
⊕ = Earth  
N = Neutral

Wire diameter: 0.5-2.5mm<sup>2</sup> Wire stripping length: 8-10mm

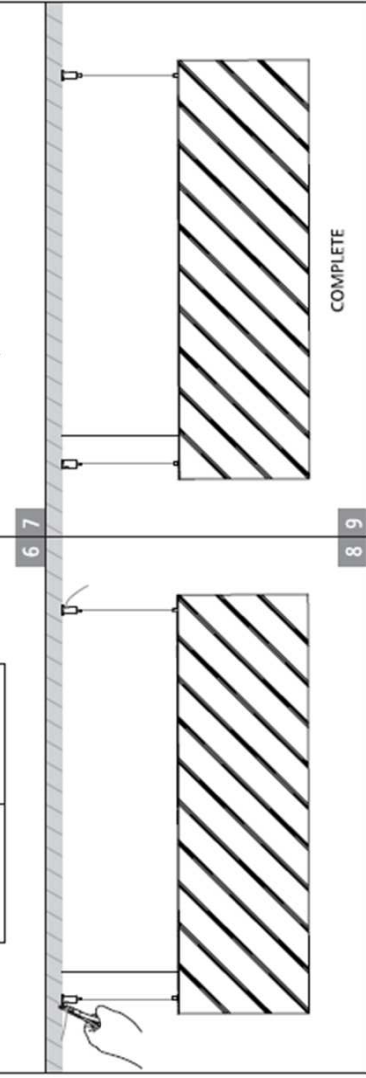


Standard	DALI
<p>L = Switched ⊕ = Earth N = Neutral</p>	<p>L = Switched ⊕ = Earth N = Neutral DAV+ = DIM+ DAV- = DIM-</p>



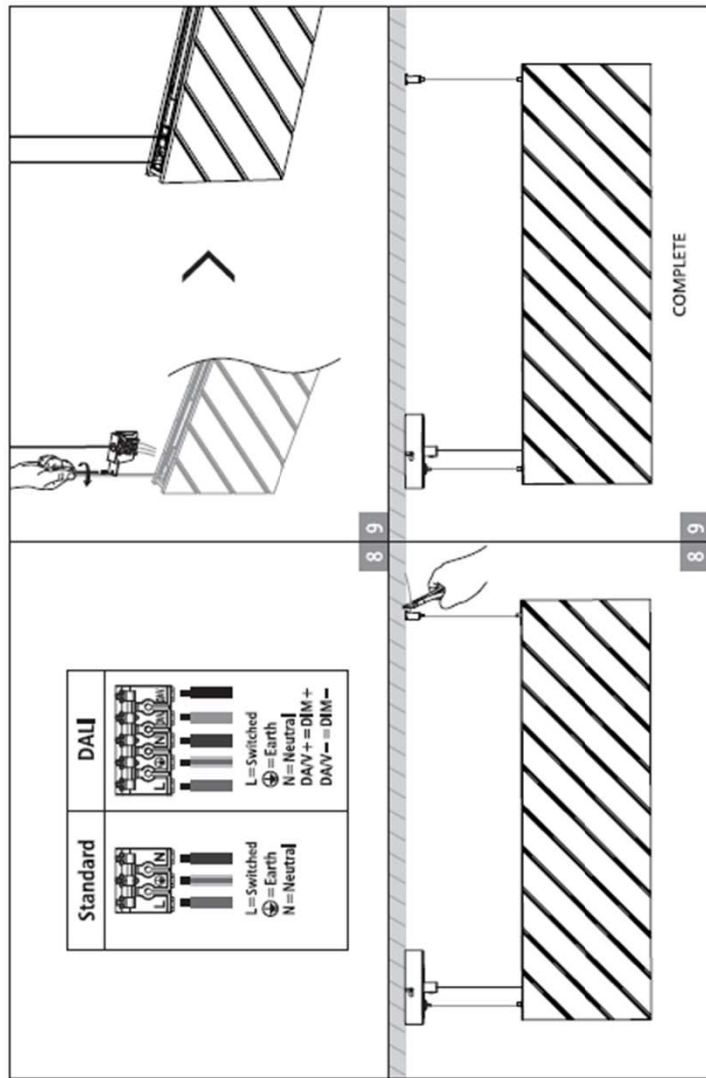
Poke

Wire diameter: 0.5-2.5mm<sup>2</sup> Wire stripping length: 8-10mm

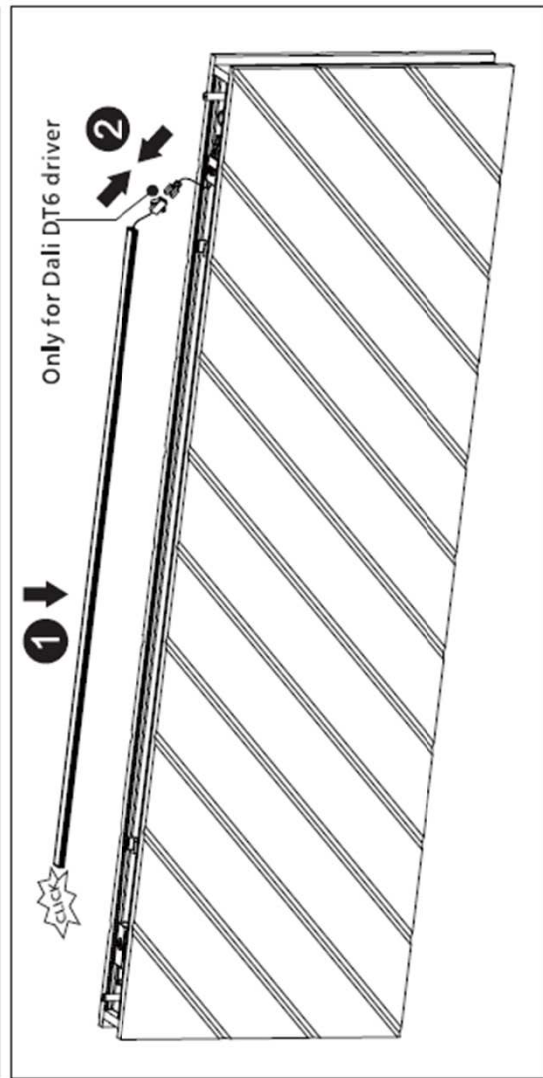


COMPLETE





Up & down lighting distribution by adding upward LED module





**RL Europe**  
Your partner in LED

[www.rleurope.ch](http://www.rleurope.ch)

[info@rleurope.ch](mailto:info@rleurope.ch)

TEL: +41 (0)91 6832255

Add: via E. Bossi 12/B, CH-6830 Chiasso (TI)