

Entry / ECO

Standard / STD

Professional / PRO

ODM & OEM

Intelligent / INT


STD
Specifications

LED Downlight
DL269 Series



 **RL Europe**
Your partner in LED



Introduction

This new surface mounted downlight has a complete size options, it has faceted and specular reflector design for different optic reflection. Screwless on surface and tempered glass in front part, which offer a better appearance, high protection level and convenient installation. Two options for optic combination: Type A COB LED chip+lens+reflector, Type B SMD LED chip+diffuser+reflector.

Features

- Faceted and Specular reflector options.
- IP65 waterproof, IK06 protection level.
- Type A COB version is UGR<19, with 24°/36°/60° lens options.
- Interchangeable CCT(3000K+4000K+5700K)with slide switch.
- Size options: 3inches/ 5inches/ 6inches/ 8inches/ 10inches.
- Internal flicker free driver.
- Triac dimming/ DALI dimming available (Do not include 3 inch)

Application Areas

It is designed for general lighting applications in Retails, conference rooms, hotels, restaurants, Foyers, corridors, and living spaces, etc...



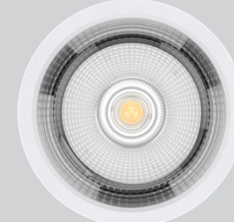


Faceted Reflector

TWO TYPE REFLECTOR AS OPTIONS



Specular Reflector



COB+Lens+Tempered Glass

Technical Data Sheet(1)

Code	DL269A-3-10W	DL269A-3-15W	DL269A-5-18W	DL269A-5-25W	DL269A-6-25W	DL269A-6-30W	DL269A-8-25W	DL269A-8-35W	DL269A-10-35W	DL269A-10-40W	DL269A-10-45W		
Dimension(mm)	Ø90*107		Ø130*110			Ø160*110		Ø214*119			Ø250*125		
Cutout (mm)	-												
Watt(W)	10W	15W	18W	25W	25W	30W	25W	35W	35W	40W	45W		
Rated Input Voltage	AC220-240V												
Input Voltage	AC198-264V												
LED Module Input	-												
Light Source	COB												
SDCM	< 6												
CCT(K)	1-CCT: 2700K/3000K/4000K/5000K 3-CCT: 3000K + 4000K +5000K												
CCT Selection DIP Switch	YES												
Luminous Flux (lm) ±5% CRI80	1-CCT	Non-DIM	760-1100	1000-1500	1700-1900	2300-2500	2200-2500	2300-3000	2300-2500	3300-3500	3300-3500	3800-4200	4200-4600
		DIM	750-1050	-	1600-1800	2100-2400	2100-2400	2200-2800	2100-2400	3000-3400	3150-3400	3700-4000	4000-4500
	3-CCT	Non-DIM	-										
		DIM	-										
Luminous Flux (lm) ±5% CRI90	1-CCT	Non-DIM	-										
		DIM	-										
	3-CCT	Non-DIM	860-950	1200-1350	1600-1750	2100-2250	2000-2200	2200-2700	1900-2100	3000-3350	3300-3450	3650-3900	-
		DIM	860-950	-	1500-1750	2000-2100	1900-2100	2100-2600	1800-2000	2800-3100	3050-3200	-	-
CRI	1-CCT: CRI80 3-CCT: CRI90												
Beam Angle (°)	24°/36°/60°												
UGR	<19	<22	<19	<19 (60°<22)	<19	<19	<19	<19	<19	<19	<19		
LED Driver	Driver built-in												
Dimming Option	Triac												
Sensor	NO												
Emergency Kits	-												
Electrical Class	Class I												
Ingress Protection(IP Rating)	IP65												
Impact Resistance(IK Rating)	IK06												
Product Finishing	White RAL 9016 / Black RAL 9005												
Optics Material	PC+Tempered Glass												
Housing Material	Aluminum Die-Casting												
Lifetime (hr)	50,000h												
Glow wire test (°C)	750°C												
Operating Temp.(°C)	-20°C~40°C												
Storage Temp.(°C)	-20°C~65°C												
Installation	Surface mount												



Faceted Reflector

TWO TYPE REFLECTOR AS OPTIONS



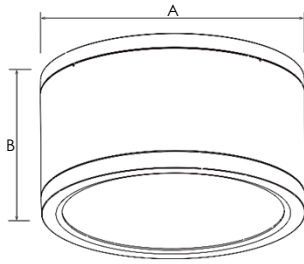
Specular Reflector



SMD+PC Cover+Tempered Glass

Technical Data Sheet(2)

Code	DL269B-3-10W	DL269B-3-15W	DL269B-5-18W	DL269B-5-25W	DL269B-6-25W	DL269B-6-30W	DL269B-8-25W	DL269B-8-35W	DL269B-10-35W	DL269B-10-40W	DL269B-10-45W		
Dimension(mm)	Ø90*107		Ø130*115			Ø160*110		Ø214*119		Ø250*125			
Cutout (mm)	-												
Watt(W)	10W	15W	18W	25W	25W	30W	25W	35W	35W	40W	45W		
Rated Input Voltage	AC220-240V												
Input Voltage	AC198-264V												
LED Module Input	-												
Light Source	SMD												
SDCM	< 6												
CCT(K)	1-CCT: 2700K/3000K/4000K/5000K 3-CCT: 3000K + 4000K +5000K												
CCT Selection DIP Switch	YES												
Luminous Flux (lm) ±5% CRI80	1-CCT	Non-DIM	760-1100	1000-1500	1700-1900	2300-2500	2200-2500	2300-3000	2300-2500	3300-3500	3300-3500	3800-4200	4200-4600
		DIM	750-1050	-	1600-1800	2100-2400	2100-2400	2200-2800	2100-2400	3000-3400	3150-3400	3700-4000	4000-4500
	3-CCT	Non-DIM	750-1100	1000-1200	1600-1800	2100-2400	2100-2400	2200-2700	2100-2400	3100-3300	3100-3300	3600-4100	4200-4500
		DIM	720-1000	-	1500-1750	2000-2300	2000-2300	2200-2600	2000-2300	2800-3200	3100-3300	3500-4000	4100-4400
CRI	80												
Beam Angle (°)	70°			75°									
UGR	<19	<22	<19	<19 (60°<22)	<19	<19	<19	<19	<19	<19	<19		
LED Driver	Driver built-in												
Dimming Option	Triac												
Sensor	NO												
Emergency Kits	-												
Electrical Class	Class I												
Ingress Protection(IP Rating)	IP65												
Impact Resistance(IK Rating)	IK06												
Product Finishing	White RAL 9016 / Black RAL 9005												
Optics Material	PC+Tempered Glass												
Housing Material	Aluminum Die-Casting												
Lifetime (hr)	50,000h												
Glow wire test (°C)	750°C												
Operating Temp.(°C)	-20°C~40°C												
Storage Temp.(°C)	-20°C~65°C												
Installation	Surface mount												



Measurement

Code	Dimension(mm)			Product Weight (Kg)				20GP (pcs)	40HQ (pcs)		
	A	B	Size (mm)	N.W/PC	G.W/PC	N.W/CTN	G.W/CTN				
DL269A/B-3	90	107	Ø90*107	0.6	0.646	11.6	12.2	36.5*24.5*46	18	12690	25110
DL269A/B-5	130	110	Ø130*110	0.92	1.01	12.1	12.8	50*33.5*32	12	5964	14304
DL269A/B-6	160	110	Ø160*110	1.18	1.313	7.9	8.4	40*20.5*45.5	6	4560	9210
DL269A/B-8	214	119	Ø214*119	2.2	2.48	14.9	15.6	51.5*26*49	6	2112	5280
DL269A/B-10	250	125	Ø250*125	5.2.8	3.18	12.7	13.5	61*31*36	4	1584	3724

Driver Datasheet (Non-dimmable)

Total load wattage		10W	15W	18W	25W	30W	35W	40W	45W
Output	Rated output current	230mA	350mA	450mA	600mA	800mA	860mA	1000mA	1100mA
	Output Voltage range	DC30V-40V							
	Line Regulation	±5%							
	Setup Rise Time	<0.5S @230V							
	Flickering Index	1% ; IEEE1789 NO RISK							0.5%(NO RISK)
Input	Rated Input Voltage	AC220-240V							
	Input Voltage	AC198-264V							
	Frequency	50/60Hz							
	Rated Input Current	0.06A	0.09A	0.1A	0.14A	0.18A	0.21A	0.23A	0.23A
	Input Current	0.07A	0.1A	0.12A	0.16A	0.2A	0.23A	≤0.25A	≤0.25A
	Power Factor	0.9							
	THD	<20% @230V							
	Efficiency	≥82%	≥84%	≥85%	≥86%			≥88%	
No load wattage		<0.5W @230V							
Protection	Short circuit protection	PASS							
	Over voltage protection	PASS							
	Over temperature protection	PASS							
Safety & EMC	Withstand voltage	I/P-O/P:3.75KVac,<5mA 60S							
	Isolation Resistance	I/P-O/P: 500VDC, ≥100M Ω							
	Surge	IEC/EN61000-4-5 (P<25W; L-N:500V, L/ N-PE:1KV)			IEC/EN61000-4-5 (P≥25W L-N:1KV, L/N-PE:2KV)				
	EMC Emission	EN55015, EN61000-3-2							
	EMC Immunity	EN61000-4-2,3,4,5,6,8,11; EN61547							

Driver Datasheet (Triac Dimming)

Total load wattage		10W	18W	25W	30W	35W	40W	45W	
Output	Rated output current	230mA	440mA	580mA	720mA	800mA	950mA	1050mA	
	Output Voltage range	DC30V-40V							
	Line Regulation	±5%							
	Setup Rise Time	≤0.5S							
	Flickering Index	<5%(LOW RISK)							
Input	Rated Input Voltage	AC220-240V							
	Input Voltage	AC198-264V							
	Frequency	50Hz							
	Rated Input Current	0.05A	0.09A	0.13A	0.15A	0.17A	0.2A	0.22A	
	Input Current	0.06A	0.1A	0.14A	0.17A	0.2A	0.23A	0.25A	
	Power Factor	0.9							
	THD	<20% @230V							
	Efficiency	≥80%	≥83%		≥85%				
	No load wattage		≤1W						
	Protection	Short circuit protection	PASS						
Over voltage protection		PASS							
Over temperature protection		PASS							
Safety & EMC	Withstand voltage	I/P-O/P:3.75KVac,<5mA 60S; I/P-FG:1.6KVac,<5mA 60S; O/P-FG:0.5KVac,<5mA 60S							
	Isolation Resistance	I/P-O/P: 500VDC, ≥100M Ω							
	Surge	C61000-4-5(L-N:0.5KV;L/N-PE:1KV), IEC61000-4-5(L-N:1KV;L/N-PE:2KV)							
	EMC Emission	EN55015, EN61000-3-2							
	EMC Immunity	EN61000-4-2,3,4,5,6,8,11; EN61547							

Driver Datasheet (DALI Dimmable)

Total load wattage		10W	18W	25W	30W	35W	40W
Output	Rated output current	250mA	400mA	600mA	700mA	850mA	1000mA
	Output Voltage range	DC30V-40V					
	Line Regulation	±8%	±5%				
	Setup Rise Time	≤0.5S					
	Flickering Index	5.50%					
Input	Rated Input Voltage	AC220-240V					
	Input Voltage	AC198-264V					
	Frequency	50-60Hz					
	Rated Input Current	0.05A	0.08A	0.13A	0.15A	0.17A	0.2A
	Input Current	0.06A	0.08A	0.13A	0.16A	0.18A	0.21A
	Power Factor	0.9					
	THD	<20% @230V					
	Efficiency	≥79%		≥84%			
No load wattage		<0.5W					
Protection	Short circuit protection	PASS					
	Over voltage protection	PASS					
	Over temperature protection	PASS					
Safety & EMC	Withstand voltage	I/P-O/P:3.75KVac,<5mA 60S; I/P-FG:1.6KVac,<5mA 60S; O/P-FG:0.5KVac,<5mA 60S					
	Isolation Resistance	I/P-O/P: 500VDC, ≥100M Ω					
	Surge	IEC61000-4-5(L-N:1KV;L/N-PE:2KV)					
	EMC Emission	EN55015, EN61000-3-2					
	EMC Immunity	EN61000-4-2,3,4,5,6,8,11; EN61547					

Installation Procedure

WARNING

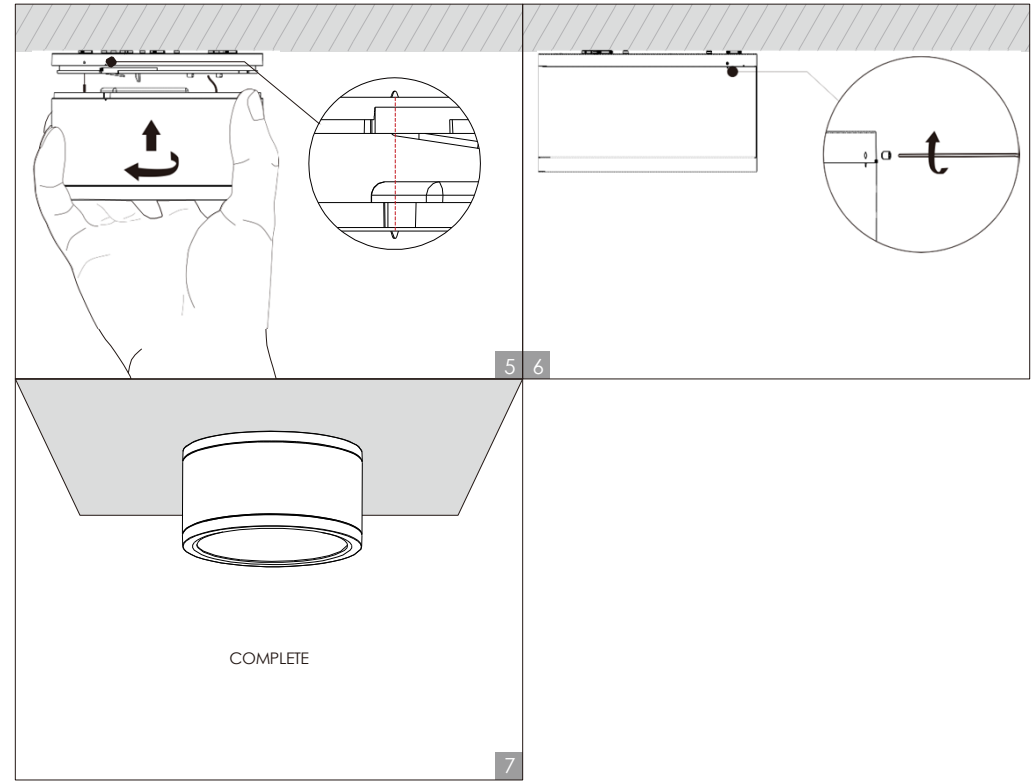
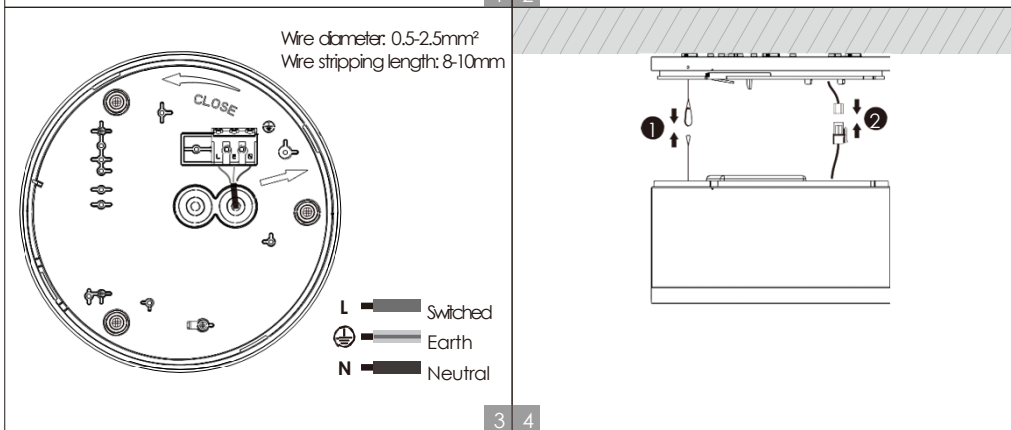
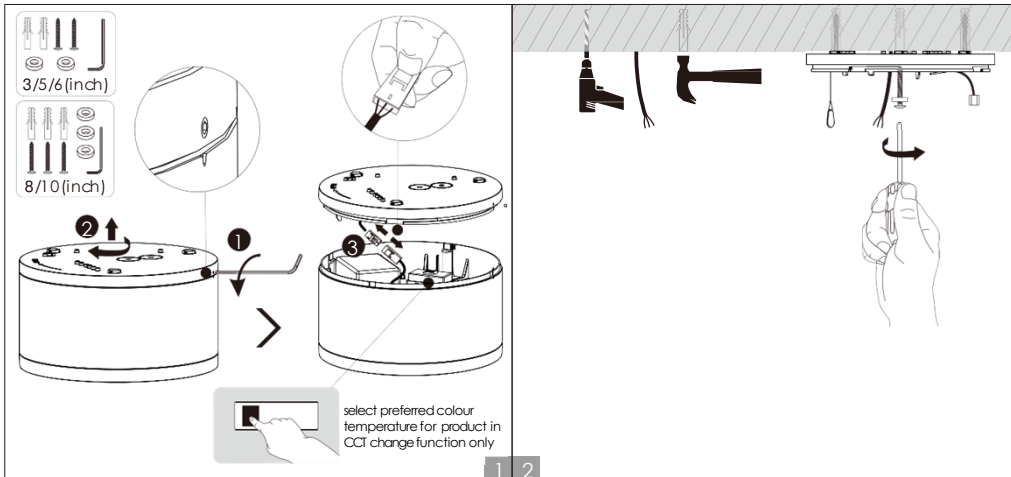
1. Switch off before installation.
2. Switch on only after complete installation and examination of the circuit.
3. Professional electrician for installation and maintenance only.



Size

Downlight Dia (inch)	3	5	6	8	10
Size (mm)	Ø90x107	Ø130x115	Ø160x110	Ø214x119	Ø250x125

Surface mount installation





RL Europe
Your partner in LED

www.rleurope.ch

info@rleurope.ch

TEL: +41 (0)91 6832255

Add: via E. Bossi 12/B, CH-6830 Chiasso (TI)