

Entry /ECO    Standard /STD    Professional/PRO    ODM & OEM    Intelligent/INT



**ECO**  
Specifications



LED Vapor Proof  
DB169 Series



## Introduction

DB169 is a high quality LED batten with waterproof, dustproof and corrosion resistant functions. It adopts high lumen efficiency SMD light source, PC cover is internal stripe design which makes a uniform light output. The end cap and waterproof connector combined in one so that can enlarge the lighting area and played a role of energy saving. With a reliable and robust housing structure (IK08 & IP65), this maximizes the endurance and contributes to its long lifetime. For installation, it has splicing version DB169A and non-splicing version DB169B, both versions are quick install, no need to open the lamp for wire connection. Three size options: 600mm, 1200mm, 1500mm), it's an ideal replacement for traditional fluorescent batten.

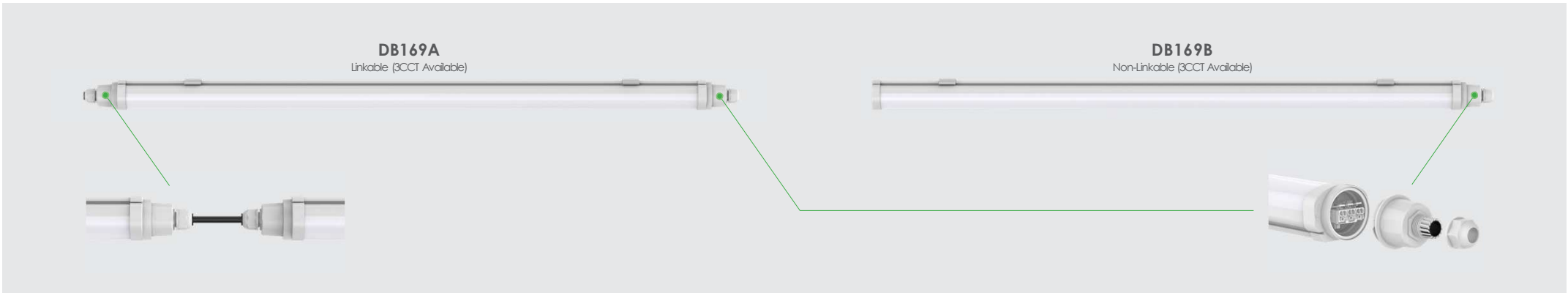
## Features

- DB169A is splicing design while DB169B is non-splicing.
- DB169A can splicing to 1200W max.
- High lumen efficiency, 120lm/W @ 4000K.
- Interchangeable CCT(3000K+4000K+5700K) with slide switch.
- IP65, IK08 high protection level.
- Tool free mains cable installation on both sides through twist lock fastener cover at both sides.
- Internal flicker free driver.

## Application Areas

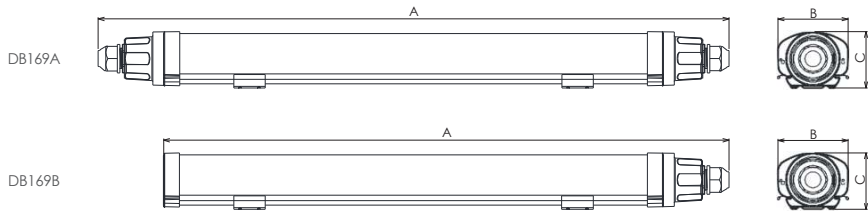
Car parks, warehouses, workshops, underground areas.





## Technical Data Sheet

Code No.	DB169A-600-18W		DB169A-1200-33W		DB169A-1500-46W		DB169B-600-18W		DB169B-1200-33W		DB169B-1500-46W	
Dimension(mm)	600*66*54		1200*66*54		1500*66*54		538*66*54		1138*66*54		1438*66*54	
Cutout (mm)			-						-			
Watt(W)	18W		33W		46W		18W		33W		46W	
Rated Input Voltage(V)			AC 220-240V						AC 220-240V			
Input Voltage(V)			AC 200-264V						AC 200-264V			
LED Module Input			-						-			
Light Source			SMD						SMD			
SDCM			< 6						< 6			
CCT(K)			1-CCT: 3000K/4000K/5000K/5700K    3-CCT: 3000K + 4000K + 5700K						1-CCT: 3000K/4000K/5000K/5700K    3-CCT: 3000K + 4000K + 5700K			
CCT Selection DIP Switch			YES						YES			
Luminous Flux (lm) ±5%	Non-DIM	1-CCT	1800-2100	3500-4000	5500-6000	1800-2100	3500-4000	5500-6000	1800-2100	3500-4000	5500-6000	
	DIM		-									
	Non-DIM	3-CCT	1800-2100	3500-4000	5500-6000	1800-2100	3500-4000	5500-6000	1800-2100	3500-4000	5500-6000	
	DIM		-									
CRI			80						80			
Beam Angle (°)			120°						120°			
UGR			-						-			
LED Driver			Built-in						Built-in			
Dimming Option			NO						NO			
Sensor			NO						NO			
Emergency Kits			NO						NO			
Electrical Class			Class II						Class II			
Ingress Protection (IP Rating)			IP65						IP65			
Impact Resistance (IK Rating)			IK08						IK08			
Product Finishing(Base)			RAL7047						RAL7047			
Materials of Optics			PC						PC			
Materials of Housing			PC						PC			
Lifetime (hr)			50,000H						50,000H			
Glow wire test (°C)			750°C						750°C			
Operating Temp. (°C)			-20°C~45°C						-20°C~45°C			
Storage Temp. (°C)			-20°C~65°C						-20°C~65°C			
Installation			Surface mount / Pendant						Surface mount / Pendant / Wall mount			



## Measurement

Code	Dimension(mm)			Size(mm)	Product Weight (Kg)		Packageweight(Kg)		Carton Size(cm)	Qty/CTN	20GP (pcs)	40HQ (pcs)
	A	B	C		N.W/PC	G.W/PC	N.W/CTN	G.W/CTN				
DB169A-600	600	66	54	600*66*54	0.42	0.50	4.98	6.56	63*24*23	12	8856	22044
DB169A-1200	1200	66	54	1200*66*54	0.75	0.92	9.00	11.98	123*24*23	12	4212	10956
DB169A-1500	1500	66	54	1500*66*54	0.91	1.12	10.92	14.56	153*24*23	12	3456	8976
DB169B-600	538	66	54	538*66*54	0.37	0.46	4.45	5.99	56.5*24*23	12	10044	25080
DB169B-1200	1138	66	54	1138*66*54	0.69	0.86	8.22	11.15	116.5*24*23	12	4860	11880
DB169B-1500	1438	66	54	1438*66*54	0.84	1.05	10.02	13.62	146.5*24*23	12	3888	9504

## Driver Datasheet (Non-dimmable)

Total load wattage		18W	33W	46W
Output	Output Voltage range	DC190-220V	DC390-430V	DC390-430V
	Rated output current	80mA	75mA	100mA
	Line Regulation	±0.5mA		
	Setup, Rise Time	≤0.5S @230V		
	Flickering Index	0.5%(NO RISK)	0.5%(NO RISK)	0.5%(NO RISK)
Input	Input Voltage	AC 200-264V		
	Rated input Voltage(V)	AC 220-240V		
	Frequency	50/60Hz		
	Input Current	0.11	0.2	0.27
	Rated input Current	0.1	0.18	0.24
	Power Factor	≥0.9		
	THD	<20% @230V		
	Efficiency	≥90%		
Protection	No load wattage	-		
	Short circuit protection	PASS		
	Over voltage protection	PASS		
	Over temperature protection	PASS		
Safety & EMC	Withstand voltage	I/P-O/P:3.75kVac,<5mA 60S		
	Isolation Resistance	I/P-O/P: 500VDC, ≥4M Ω		
	Surge	IEC/EN61000-4-5( P<25W; L-N:500V)	IEC/EN61000-4-5 (P≥25W L-N:1KV)	
	EMC Emission	EN55015, EN61000-3-2		
EMC Immunity	EN61000-4-2,3,4,5,6,8,11; EN61547			

## Installation Procedure

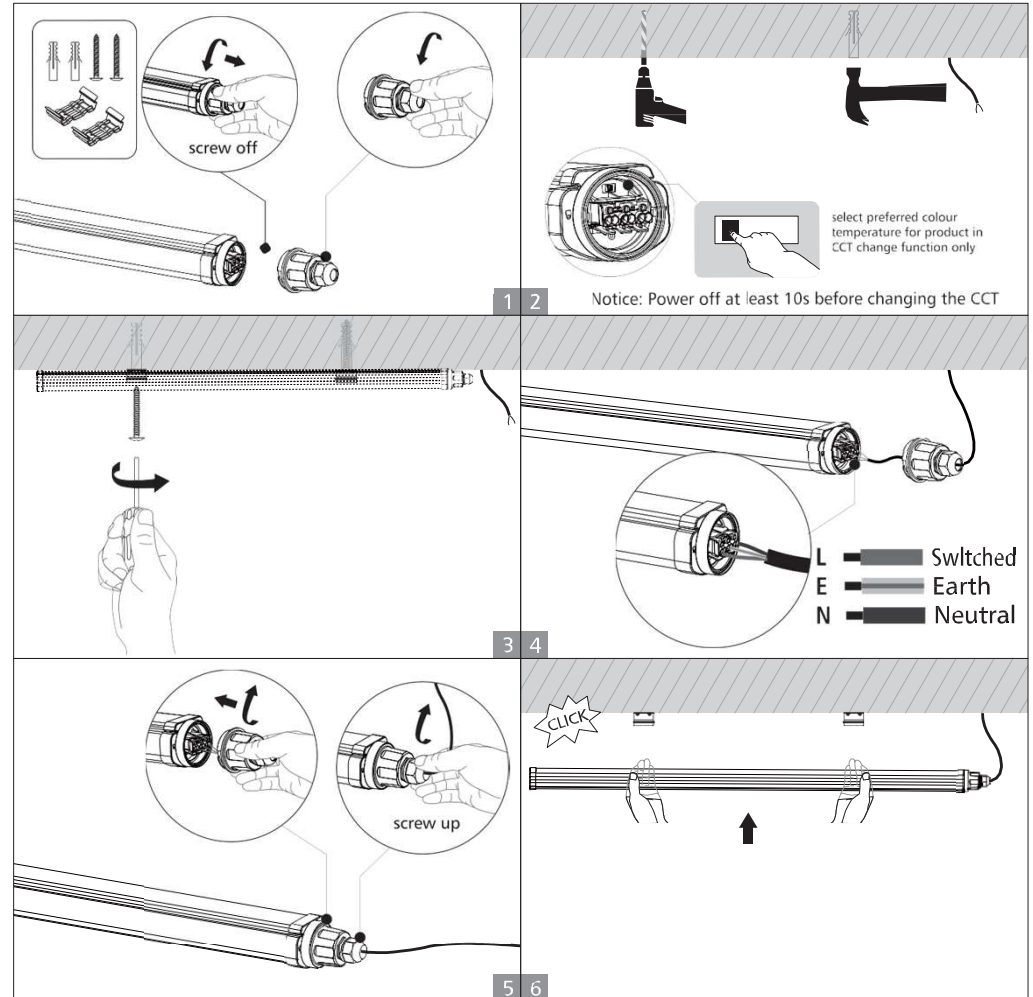
### WARNING

1. Switch off before installation.
2. Switch on only after complete installation and examination of the circuit.
3. Professional electrician for installation and maintenance only.

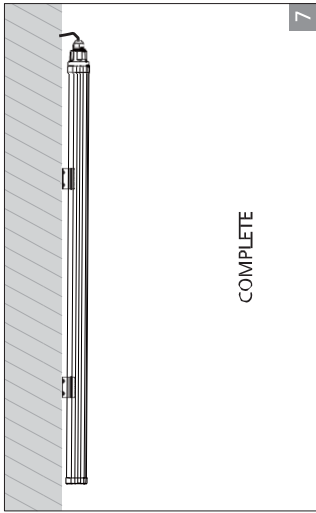


Turn Off power supply before starting any Installation. Read instructions & check you have all the tools & accessories to complete the installation correctly.

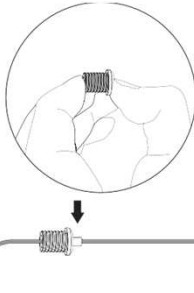
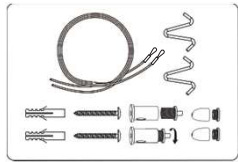
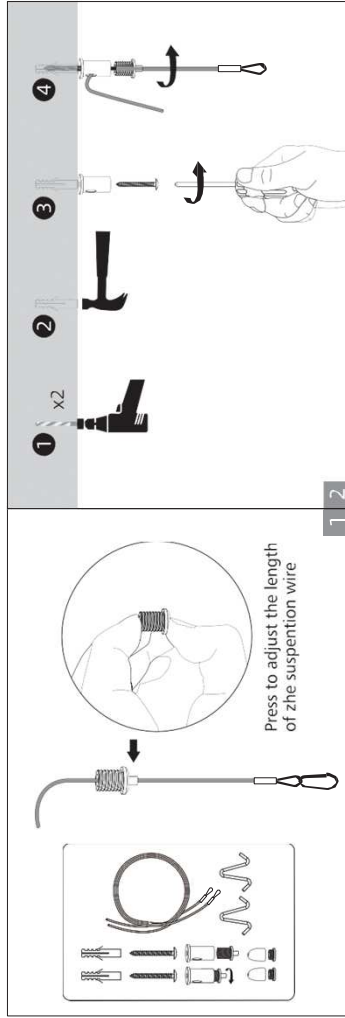
## Surface mounted Installation



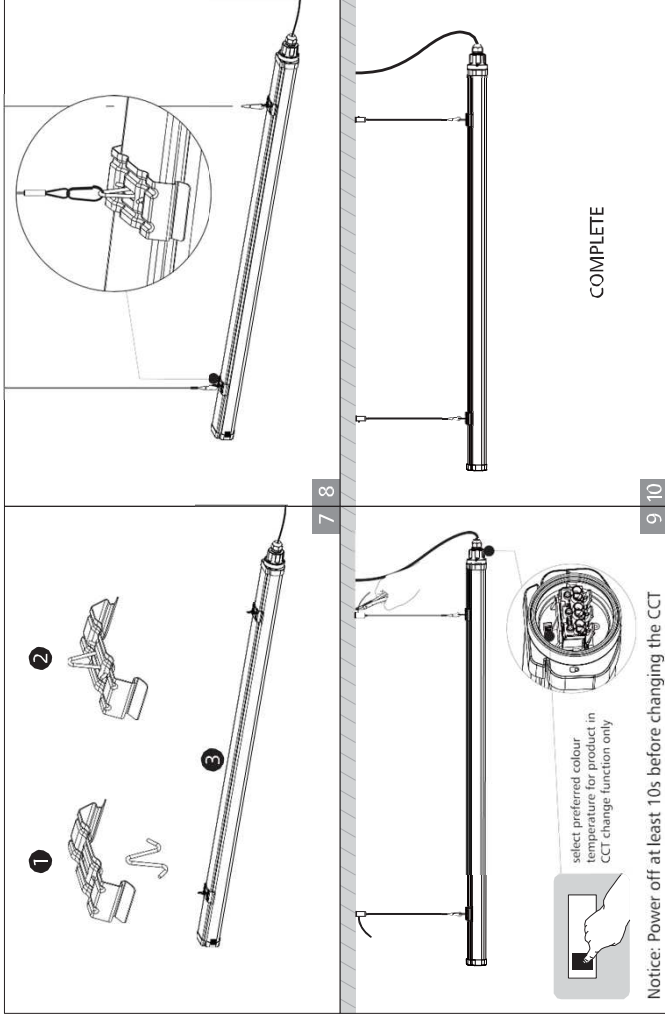
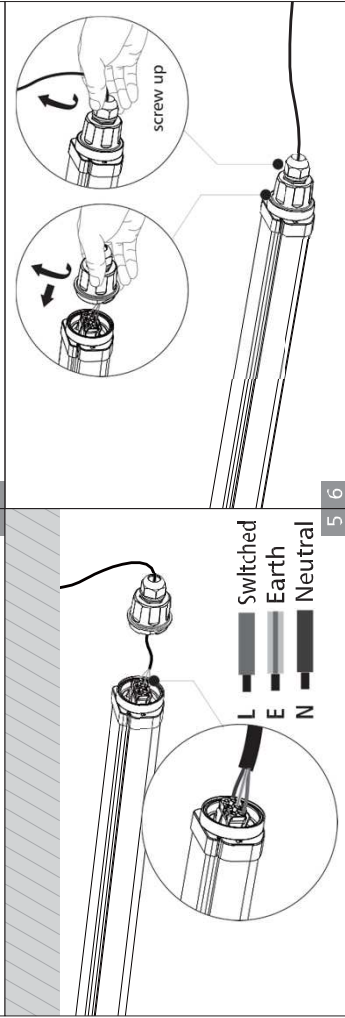
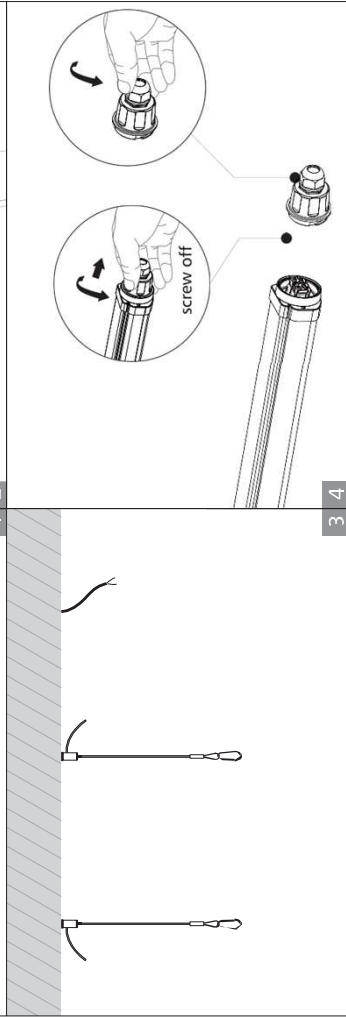




### Suspended Installation



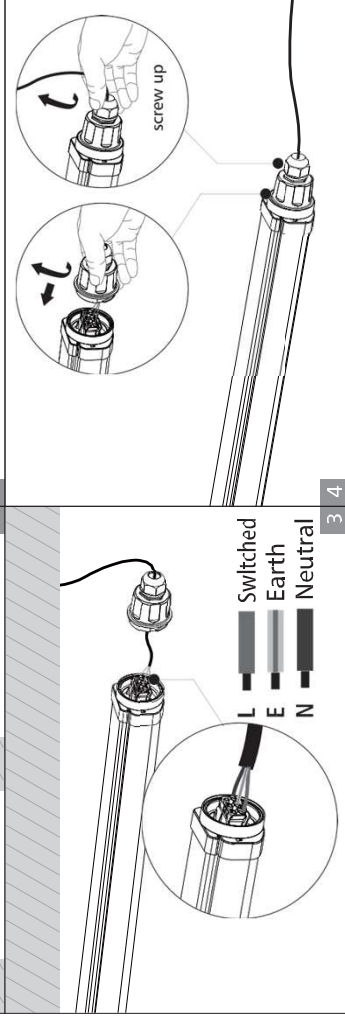
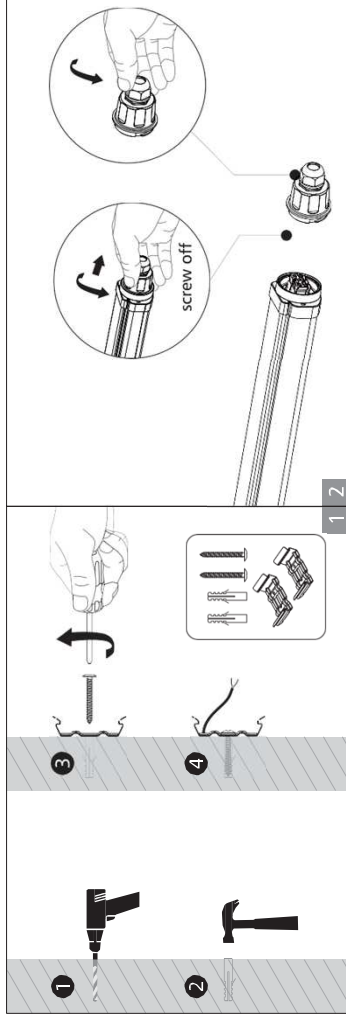
1 2

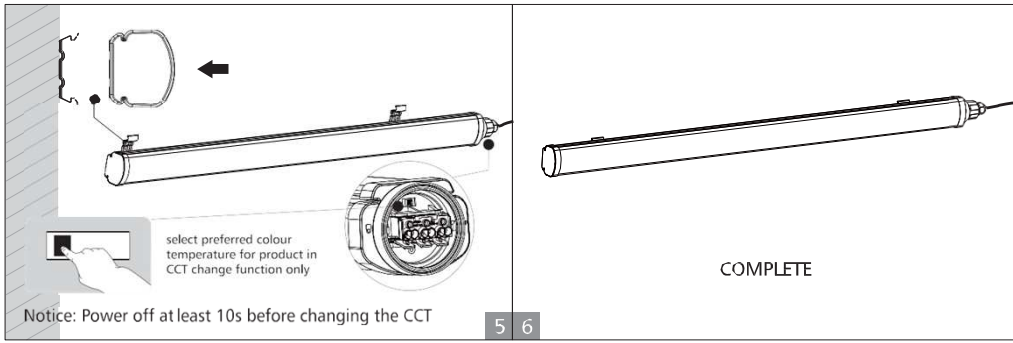


select preferred colour temperature for product in CCT change function only

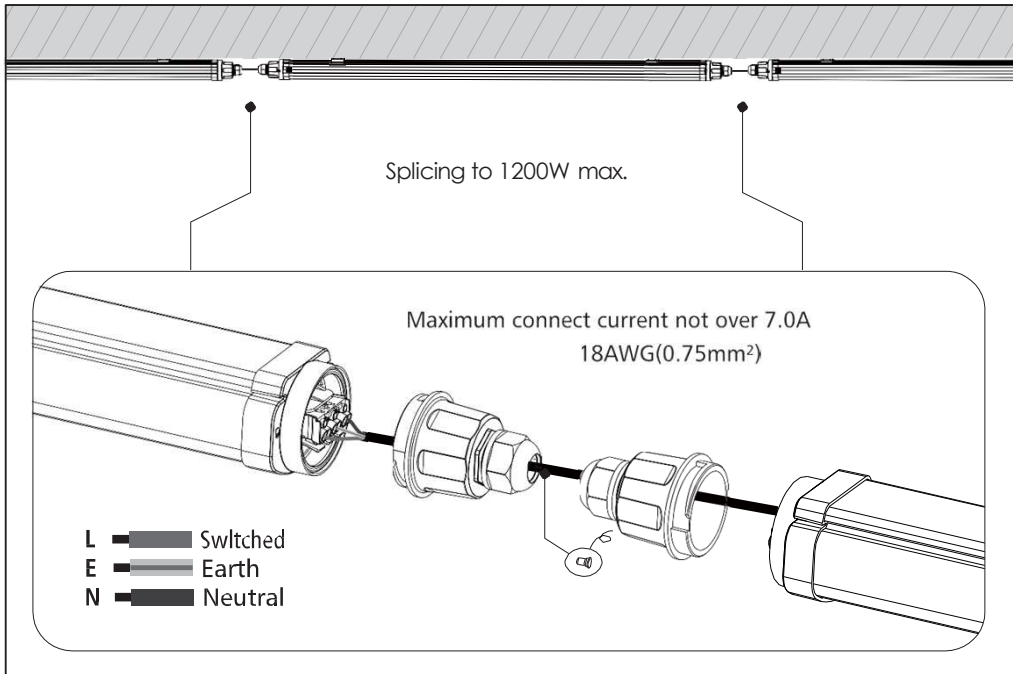
Notice: Power off at least 10s before changing the CCT

### Wall mounted Installation





### Splicing for Installation





**RL Europe**  
Your partner in LED

[www.rleurope.ch](http://www.rleurope.ch)

[info@rleurope.ch](mailto:info@rleurope.ch)

TEL: +41 (0)91 6832255

Add: via E. Bossi 12/B, CH-6830 Chiasso (TI)