

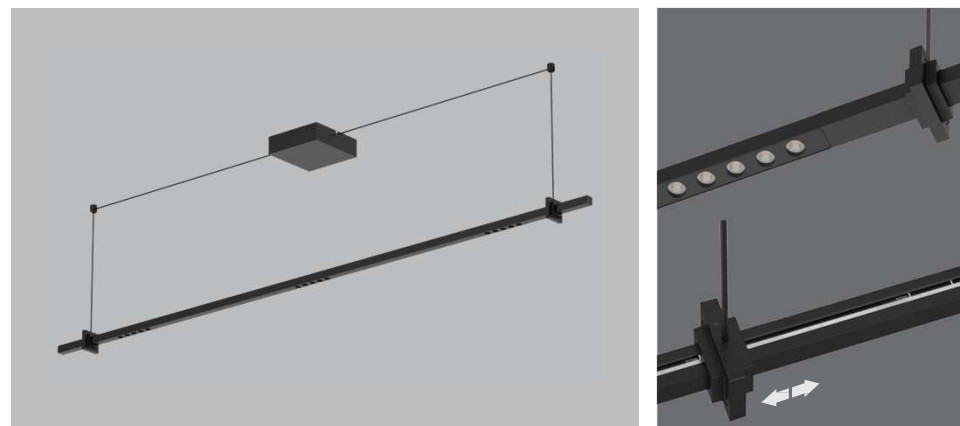
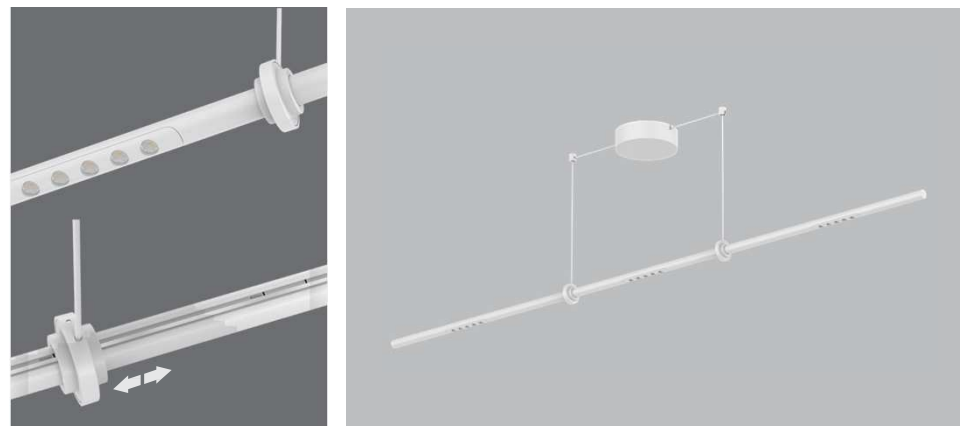
# ARCHITECTURAL LIGHTING



**RL Europe**  
Your partner in LED



LED Linear  
DB195 Series



## DB195

## IP20

This chandelier is an exquisitely slender fixture which is seamlessly integrates into delicate environments. It incorporates internal lens and reflector to reach anti-glare UGR<19, ensuring a harmonious illumination effect. The overall lamp body crafted from high-quality aluminum AL6063 for great thermal management. Furthermore, it adopts internal flicker free driver, support 0-10V dim and DALI dim.

## FEATURES

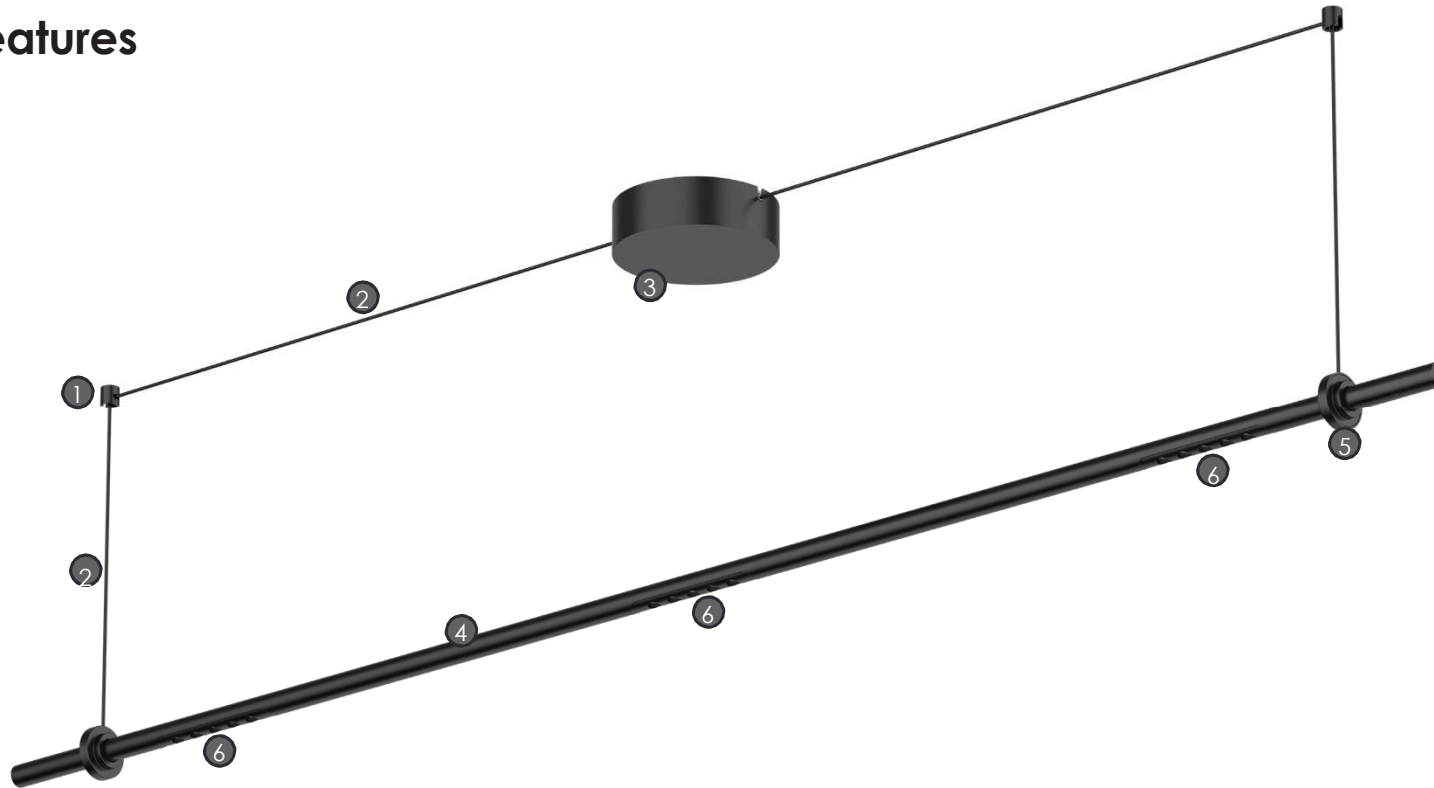
- Exquisite design with slender lamp body
- Anti-glare design, UGR<19
- Installation way: Suspended with ceiling plate
- Finished color: White RAL9016, Black RAL9005
- Sliding DC wiring holder
- Internal flicker free driver
- Dimming way: 0-10V, DALI

## APPLICATIONS

It is designed for indoor applications in dining room, kitchen island, restaurant, hotel, cafe, bar, museum etc.

LED Linear

# Technical Features



1

Ceiling brackets are in the same colour as the fixture, can be located in different position along the axis of the fixture to adjust suspension height of the fixture.

2

The 2.5 mm thick cables are made of sturdy and resistant elastomer material. For this reason and because the operating voltage on the lamp is safe and does not exceed 36V, the fixture can be suspended solely on the power cables.

3

Round and square mounting box can be paired with light fixtures of different shapes. It has two functions, as it covers the power connection and serves as a holder for the power wires. During installation, you can slightly adjust the installation height of the light fixture by the small button on the side of the mounting box to shorten or lengthen the DC cable, according to the actual application.

4

Circular and square shapes in three sizes 840/ 1370/ 1900mm. The lamp body based on a thin-walled aluminium profile with a diameter of only 16mm – visually and materially it is extremely lightweight. The light-emitting module are spaced apart to create a uniform spot of light.

5

The adjustable DC wire contact module allows the DC slider to be moved to the desired position according to the scene requirements.

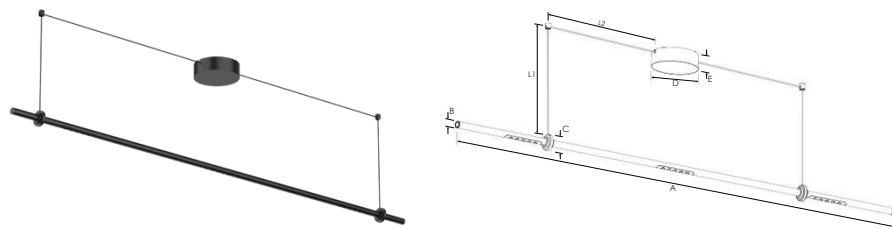
6

The luminous part is controlled by a lens combined with a grid reflector to control light and achieves UGR<19.



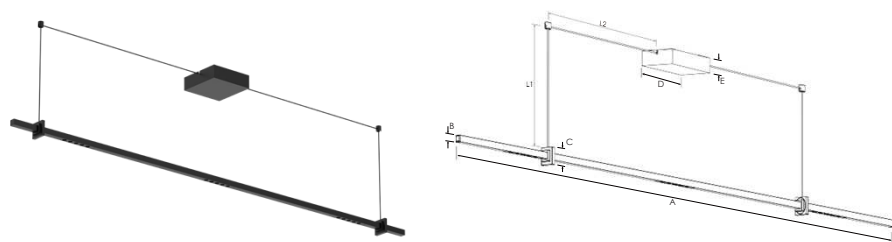
## PRODUCT DIMENSION

ART-DB195A



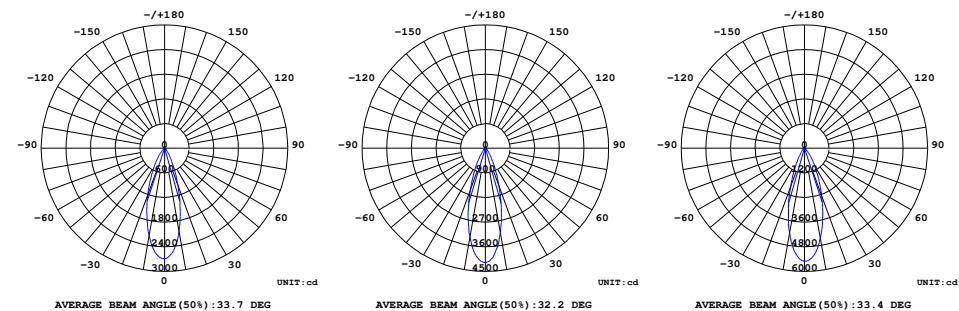
| Model           | Dimension(mm) |     |     |      |    |       | Size(mm)  |
|-----------------|---------------|-----|-----|------|----|-------|-----------|
|                 | A             | B   | C   | D    | E  | L1+L2 |           |
| ART-DB195A-840  | 840           | Ø18 | Ø42 | Ø125 | 39 | 1700  | L840*Ø18  |
| ART-DB195A-1370 | 1370          | Ø18 | Ø42 | Ø125 | 39 | 1900  | L1370*Ø18 |
| ART-DB195A-1900 | 1900          | Ø18 | Ø42 | Ø125 | 39 | 2300  | L1900*Ø18 |

ART-DB195B



| Model           | Dimension(mm) |    |    |     |    |       | Size(mm)      |
|-----------------|---------------|----|----|-----|----|-------|---------------|
|                 | A             | B  | C  | D   | E  | L1+L2 |               |
| ART-DB195B-840  | 840           | 16 | 42 | 125 | 39 | 1700  | L840*W16*H16  |
| ART-DB195B-1370 | 1370          | 16 | 42 | 125 | 39 | 1900  | L1370*W16*H16 |
| ART-DB195B-1900 | 1900          | 16 | 42 | 125 | 39 | 2300  | L1900*W16*H16 |

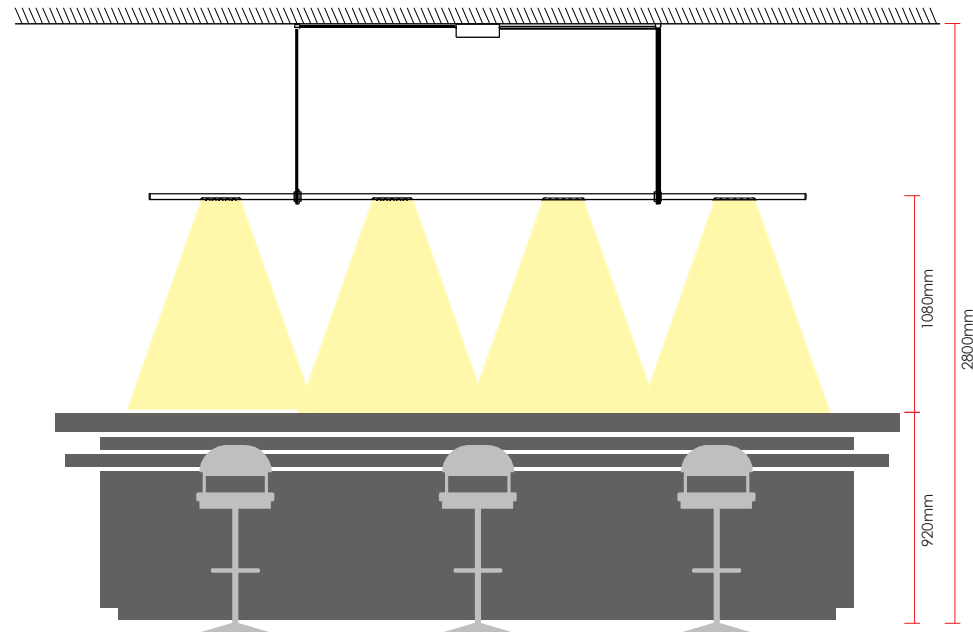
## OPTICS



## Suspension height

In the example used, the table is 2200mm long and its height is 920mm. With this arrangement of the components, we assume that the fixture is suspended about 1080mm above the table.

This arrangement provides comfortable lighting of the table. The suspension height can of course be adjusted at the installation stage.



## BASIC INFORMATION

|                     |                               |
|---------------------|-------------------------------|
| Housing Material    | Aluminium                     |
| Product Finishing   | White RAL9016, Black RAL9005  |
| Optic Material      | Lens/PMMA                     |
| Light Source        | SMD                           |
| SDCM                | < 6                           |
| CRI                 | 80                            |
| Lifetime(Hr)        | 50,000h                       |
| LED Driver          | Driver built-in, flicker free |
| Installation        | Pendant                       |
| Electrical Class    | Class I                       |
| Operating Temp.(°C) | -20°C~45°C                    |
| Storage Temp.(°C)   | -20°C~65°C                    |
| Glow Wire Test (°C) | 650°C                         |

## FEATURES & BENEFITS

|                                |              |
|--------------------------------|--------------|
| General Efficacy               | 120lm/W      |
| CCT Selection DIP Switch       | 1 CCT        |
| Watt Selection DIP Switch      | -            |
| Dimming Option                 | DALI / 0-10V |
| Functions                      | -            |
| UGR                            | < 19         |
| Ingress Protection (IP Rating) | IP20         |
| Impact Resistance (IK Rating)  | -            |
| Certification                  | RoHS/ CE     |

## TECHNICAL DATA SHEET

| CODE                                                                                                                    | ART-DB195A-840-10W | ART-DB195A-1370-15W | ART-DB195A-1900-20W | ART-DB195B-840-10W | ART-DB195B-1370-15W | ART-DB195B-1900-20W |           |
|-------------------------------------------------------------------------------------------------------------------------|--------------------|---------------------|---------------------|--------------------|---------------------|---------------------|-----------|
| Dimension(mm)                                                                                                           | L840*Ø18           | L1370*Ø18           | L1900*Ø18           | L840*W16*H16       | L1370*W16*H16       | L1900*W16*H16       |           |
| Cutout (mm)                                                                                                             | -                  |                     |                     |                    |                     |                     |           |
| Watt(W)                                                                                                                 | 10W                | 15W                 | 20W                 | 10W                | 15W                 | 20W                 |           |
| Input Voltage                                                                                                           | AC 220-240V        |                     |                     |                    |                     |                     |           |
| LED Module Input                                                                                                        | -                  |                     |                     |                    |                     |                     |           |
| Light Source                                                                                                            | SMD                |                     |                     |                    |                     |                     |           |
| CCT(K)                                                                                                                  | 1-CCT: 3000K/4000K |                     |                     |                    |                     |                     |           |
| CCT Selection DIP Switch                                                                                                | -                  |                     |                     |                    |                     |                     |           |
| Luminous Flux (lm) ±5% CRI80                                                                                            | 1-CCT              | Non-DIM             | -                   |                    |                     |                     |           |
|                                                                                                                         |                    | DIM                 | 1050-1250           | 1600-1800          | 2050-2400           | 1100-1300           | 1650-1850 |
|                                                                                                                         | 3-CCT              | Non-DIM             | -                   |                    |                     |                     |           |
|                                                                                                                         |                    | DIM                 | -                   |                    |                     |                     |           |
| Remark: The lumen value is based on white lamp, and the lumen value of black light fixtures will decrease by around 6%. |                    |                     |                     |                    |                     |                     |           |
| Beam Angle (°)                                                                                                          | 36°                |                     |                     |                    |                     |                     |           |
| UGR                                                                                                                     | < 19               |                     |                     |                    |                     |                     |           |
| Dimming Option                                                                                                          | DALI/ 0-10V        |                     |                     |                    |                     |                     |           |
| Sensor                                                                                                                  | -                  |                     |                     |                    |                     |                     |           |
| Emergency                                                                                                               | -                  |                     |                     |                    |                     |                     |           |
| N.W/PC(KG)                                                                                                              | 0.75               | 0.94                | 1.08                | 0.89               | 1.10                | 1.26                |           |
| G.W/CTN(KG)                                                                                                             | 7.82               | 9.82                | 11.76               | 8.66               | 10.78               | 12.84               |           |
| Qty/CTN(PCS)                                                                                                            | 6                  | 6                   | 6                   | 6                  | 6                   | 6                   |           |
| Carton Size(mm)                                                                                                         | 1020*380*170       | 1550*380*170        | 2080*380*165        | 1020*380*170       | 1550*380*170        | 2080*380*165        |           |

## DRIVER DATASHEET(0-10V DIMMABLE)

|                             | Total load wattage   | 10W                                   | 15W    | 20W    |
|-----------------------------|----------------------|---------------------------------------|--------|--------|
| Output                      | Rated output current | 280mA                                 | 420mA  | 560mA  |
|                             | Output Voltage range | DC28-40V                              |        |        |
|                             | Line Regulation      | ±5%                                   |        |        |
|                             | Setup, Rise Time     | < 0.5S@230V                           |        |        |
|                             | Flickering Index     | 3%,IEEE1789 NO RISK                   |        |        |
| Input                       | Rated Input Voltage  | AC220-240V                            |        |        |
|                             | Input Voltage        | AC198-264V                            |        |        |
|                             | Frequency            | 50/60Hz                               |        |        |
|                             | Rated Input Current  | ≤0.05A                                | ≤0.08A | ≤0.10A |
|                             | Input Current        | ≤0.06A                                | ≤0.09A | ≤0.12A |
|                             | Power Factor         | 0.9                                   |        |        |
|                             | THD                  | <20% @230V                            |        |        |
|                             | Efficiency           | ≥82%                                  | ≥83%   |        |
|                             | No load wattage      | <0.5W @230V                           |        |        |
|                             | Protection           | Short circuit protection              | PASS   |        |
| Over voltage protection     |                      | PASS                                  |        |        |
| Over temperature protection |                      | PASS                                  |        |        |
| Safety & EMC                | Withstand voltage    | I/P-FG:1.5KVvac,<5mA 60S              |        |        |
|                             | Isolation Resistance | 500VDC, ≥2M Ω                         |        |        |
|                             | Surge                | IEC/EN61000-4-5 (L-N:1KV, L/N-PE:2KV) |        |        |
|                             | EMC Emission         | EN55015, EN61000-3-2                  |        |        |
|                             | EMC Immunity         | EN61000-4-2,3,4,5,6,8,11; EN61547     |        |        |

## DRIVER DATASHEET(DALI DIMMABLE)

|                             | Total load wattage   | 10W                                   | 15W    | 20W    |
|-----------------------------|----------------------|---------------------------------------|--------|--------|
| Output                      | Rated output current | 275mA                                 | 425mA  | 550mA  |
|                             | Output Voltage range | DC28-40V                              |        |        |
|                             | Line Regulation      | ±5%                                   |        |        |
|                             | Setup, Rise Time     | < 1S@230V                             |        |        |
|                             | Flickering Index     | 3%,IEEE1789 NO RISK                   |        |        |
| Input                       | Rated Input Voltage  | AC220-240V                            |        |        |
|                             | Input Voltage        | AC198-264V                            |        |        |
|                             | Frequency            | 50/60Hz                               |        |        |
|                             | Rated Input Current  | ≤0.05A                                | ≤0.08A | ≤0.10A |
|                             | Input Current        | ≤0.06A                                | ≤0.09A | ≤0.12A |
|                             | Power Factor         | 0.9                                   |        |        |
|                             | THD                  | <20% @230V                            |        |        |
|                             | Efficiency           | ≥84%                                  | ≥86%   |        |
|                             | No load wattage      | <0.5W @230V                           |        |        |
|                             | Protection           | Short circuit protection              | PASS   |        |
| Over voltage protection     |                      | PASS                                  |        |        |
| Over temperature protection |                      | PASS                                  |        |        |
| Safety & EMC                | Withstand voltage    | I/P-FG:1.5KVvac,<5mA 60S              |        |        |
|                             | Isolation Resistance | 500VDC, ≥2M Ω                         |        |        |
|                             | Surge                | IEC/EN61000-4-5 (L-N:1KV, L/N-PE:2KV) |        |        |
|                             | EMC Emission         | EN55015, EN61000-3-2                  |        |        |
|                             | EMC Immunity         | EN61000-4-2,3,4,5,6,8,11; EN61547     |        |        |



**RL** Europe

Your partner in LED

Add : via E. Bossi 12/B,  
CH-6830 Chiasso (TI)



RL Europe AG

Tel : +41 (0)91 6832255  
E-mail : [info@rleurope.ch](mailto:info@rleurope.ch)  
Web : [www.rleurope.ch](http://www.rleurope.ch)