

Entry / ECO

Standard / STD

Professional / PRO

ODM & OEM

Intelligent / INT



LED Downlight
DL269A/B Series





Introduction

This new surface mounted downlight has a complete size options, it has faceted and specula reflector design for different optic reflection. Screwless on surface and tempered glass in front part, which offer a better appearance, high protection level and convenient installation. Two options for optic combination: Type A COB LED chip+lens+reflector, Type B SMD LED chip+diffuser+reflector.

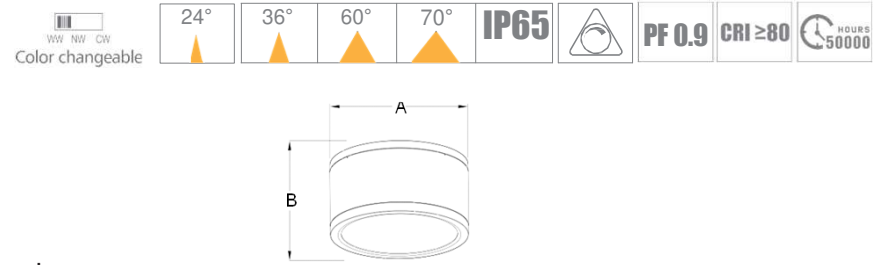
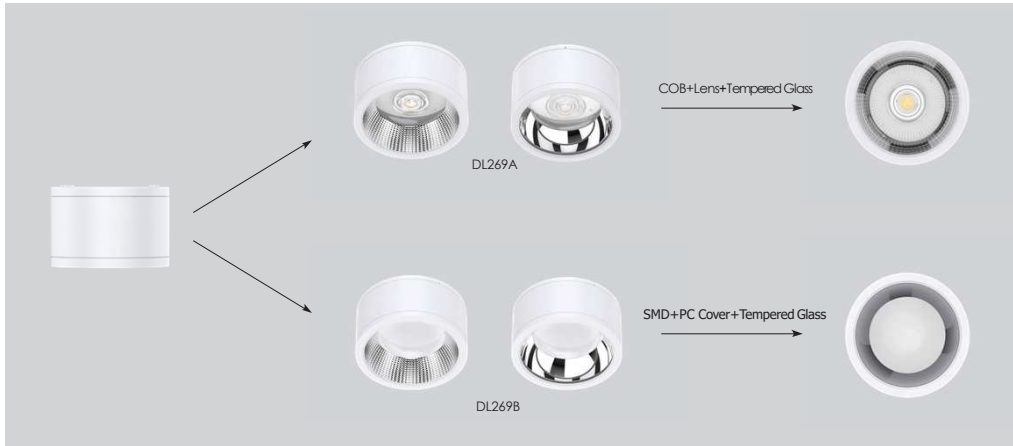
Features

- Faceted and Specular reflector options.
- IP65 waterproof, IK06 protection level.
- Type A COB version is UGR<19, with 24°/36°/60° lens options.
- Type B SMD version: Interchangeable CCT available, 3000K+4000K+5700K with slide switch.
- Size options: 3inches/5inches/6inches/8inches/10inches.
- Internal flicker free driver.
- Triac dimming/DALI dimming available (Do not include 3 inch) .

Application Areas

It is designed for general lighting applications in Retails, conference rooms, hotels, restaurants, Foyers, corridors, and living spaces, etc...





Measurement

| Code | Dimension(mm) | | Size(mm) | Product Weight (Kg) | | Package weight (Kg) | | Carton Size(cm) | Qty/CTN | 20GP (pcs) | 40HQ (pcs) |
|-------------|---------------|-----|-----------|---------------------|--------|---------------------|---------|-----------------|---------|------------|------------|
| | A | B | | N.W/PC | G.W/PC | N.W/CTN | G.W/CTN | | | | |
| DL269A/B-3 | 90 | 107 | Ø90*H107 | 0.6 | 0.646 | 11.6 | 12.2 | 36.5x24.5x46 | 18 | 12690 | 28620 |
| DL269A/B-5 | 130 | 115 | Ø130*H115 | 0.92 | 1.01 | 12.1 | 12.8 | 50x33.5x32 | 12 | 6168 | 14700 |
| DL269A/B-6 | 160 | 110 | Ø160*H110 | 1.18 | 1.313 | 7.9 | 8.4 | 40x20.5x45.5 | 6 | 4620 | 10386 |
| DL269A/B-8 | 214 | 119 | Ø214*H119 | 2.2 | 2.48 | 14.9 | 15.6 | 51.5x26x49 | 6 | 2376 | 5568 |
| DL269A/B-10 | 250 | 125 | Ø250*H125 | 2.8 | 3.18 | 12.7 | 13.5 | 61x31x36 | 4 | 1588 | 3724 |

Technical Data Sheet(1)

| Code No. | DL269A/B-3-10W | DL269A/B-3-15W | DL269A/B-5-18W | DL269A/B-5-25W | DL269A/B-6-25W | DL269A/B-6-30W | | |
|--------------------------------|---------------------------------------------------------------------------------------------------------------|------------------|----------------|----------------|----------------|----------------|-----------|-----------|
| Dimension(mm) | Ø90*H107 | | Ø130*H115 | | Ø160*H110 | | | |
| Cutout (mm) | - | | | | | | | |
| Watt(W) | 10W | 15W | 18W | 25W | 25W | 30W | | |
| Rated Input Voltage(V) | AC220-240V | | | | | | | |
| Input Voltage(V) | AC220-240V | | | | | | | |
| LED Module Input | - | | | | | | | |
| Light Source | SMD2835/COB | | | | | | | |
| SDCM | SMD2835 SDCM≤6 / COB SDCM≤4(Overall) | | | | | | | |
| CCT(K) | (COB A 1-CCT:2700K/3000K/4000K/5000K) (SMD B 1-CCT:3000K/4000K/5000K/5700K; 3-CCT: 3000K + 4000K + 5700K) | | | | | | | |
| CCT Selection DIP Switch | YES | | | | | | | |
| Luminous Flux (lm) ±5% | Non-DIM | 1-CCT (DL269A/B) | 760-1100 | 1000-1500 | 1700-1900 | 2300-2500 | 2200-2500 | 2300-3000 |
| | | DIM | 750-1050 | - | 1600-1800 | 2100-2400 | 2100-2400 | 2200-2800 |
| | Non-DIM | 3-CCT | 750-1100 | 1000-1200 | 1600-1800 | 2100-2400 | 2100-2400 | 2200-2700 |
| | | DIM | 720-1000 | - | 1500-1750 | 2000-2300 | 2000-2300 | 2200-2600 |
| CRI | 80 | | | | | | | |
| Beam Angle (°) | DL269A (24°36°60°) DL269B (70° 3inch & 75° 5inch/6inch) | | | | | | | |
| UGR | DL269A | <19 | <22 | <19 | <19 (60°<22) | <19 | | |
| | DL269B | <25 | | | | | | |
| LED Driver | Built-in | | | | | | | |
| Dimming Option | Triac/ DALI (NO 3 inch, 5 inch 25W) | | | | | | | |
| Sensor | NO | | | | | | | |
| Emergency Kits | NO | | | | | | | |
| Electrical Class | Class I | | | | | | | |
| Ingress Protection (IP Rating) | IP65 | | | | | | | |
| Impact Resistance (IK Rating) | IK06 | | | | | | | |
| Product Finishing(Base) | White RAL 9016 / Black RAL 9005 | | | | | | | |
| Materials of Optics | PC+Tempered Glass | | | | | | | |
| Materials of Housing | Aluminum Die-Casting | | | | | | | |
| Lifetime (hr) | >50000H | | | | | | | |
| Glow wire test (°C) | 750°C | | | | | | | |
| Operating Temp. (°C) | -20°C~40°C | | | | | | | |
| Storage Temp. (°C) | -20°C~65°C | | | | | | | |
| Installation | Surface mount | | | | | | | |

Technical Data Sheet(2)

| Code No. | DL269A/B-8-25W | DL269A/B-8-35W | DL269A/B-10-35W | DL269A/B-10-40W | DL269A/B-10-45W | | |
|--------------------------------|---------------------------------------------------------------------------------------------------------------|------------------|-----------------|-----------------|-----------------|-----------|-----------|
| Dimension(mm) | Ø214*H119 | | Ø250*H125 | | | | |
| Cutout (mm) | - | | | | | | |
| Watt(W) | 25W | 35W | 35W | 40W | 45W | | |
| Rated Input Voltage(V) | AC220-240V | | | | | | |
| Input Voltage(V) | AC220-240V | | | | | | |
| LED Module Input | - | | | | | | |
| Light Source | SMD2835/COB | | | | | | |
| SDCM | SMD2835 SDCM≤6 / COB SDCM≤4(Overall) | | | | | | |
| CCT(K) | (COB A 1-CCT:2700K/3000K/4000K/5000K) (SMD B 1-CCT:3000K/4000K/5000K/5700K; 3-CCT: 3000K + 4000K + 5700K) | | | | | | |
| CCT Selection DIP Switch | YES | | | | | | |
| Luminous Flux (lm) ±5% | Non-DIM | 1-CCT (DL269A/B) | 2300-2500 | 3300-3500 | 3300-3500 | 3800-4200 | 4200-4600 |
| | | DIM | 2100-2400 | 3000-3400 | 3150-3400 | 3700-4000 | 4000-4500 |
| | Non-DIM | 3-CCT | 2100-2400 | 3100-3300 | 3100-3300 | 3600-4100 | 4200-4500 |
| | | DIM | 2000-2300 | 2800-3200 | 3100-3300 | 3500-4000 | 4100-4400 |
| CRI | 80 | | | | | | |
| Beam Angle (°) | DL269A (24°36°60°) DL269B 75° | | | | | | |
| UGR | DL269A | <19 | | | | | |
| | DL269B | <25 | | | | | |
| LED Driver | Built-in | | | | | | |
| Dimming Option | Triac/ DALI | | | | Triac | | |
| Sensor | NO | | | | | | |
| Emergency Kits | NO | | | | | | |
| Electrical Class | Class I | | | | | | |
| Ingress Protection (IP Rating) | IP65 | | | | | | |
| Impact Resistance (IK Rating) | IK06 | | | | | | |
| Product Finishing(Base) | White RAL 9016 / Black RAL 9005 | | | | | | |
| Materials of Optics | PC+Tempered Glass | | | | | | |
| Materials of Housing | Aluminum Die-Casting | | | | | | |
| Lifetime (hr) | >50000H | | | | | | |
| Glow wire test (°C) | 750°C | | | | | | |
| Operating Temp. (°C) | -20°C~40°C | | | | | | |
| Storage Temp. (°C) | -20°C~65°C | | | | | | |
| Installation | Surface mount | | | | | | |

Driver Datasheet (Non-dimmable)

| Total load wattage | | 10W | 15W | 18W | 25W | 30W | 35W | 40W | 45W |
|--------------------|-----------------------------|-----------------------------------------|-------|-------|------------------------------------------|-------|-------|--------|---------------|
| Output | Output Voltage range | DC30-40V | | | | | | | |
| | Rated output current | 230mA | 350mA | 450mA | 600mA | 800mA | 860mA | 1000mA | 1100mA |
| | Line Regulation | ±5% | | | | | | | |
| | Setup, Rise Time | <0.5S @230V | | | | | | | |
| | Flickering Index | 1% ; IEEE1789 NO RISK | | | | | | | 0.5%(NO RISK) |
| Input | Input Voltage | AC180-265V | | | | | | | AC200-264V |
| | Rated Input Voltage(V) | AC200-240V | | | | | | | AC220-240V |
| | Frequency | 50/60HZ | | | | | | | |
| | Input Current | 0.07A | 0.1A | 0.12A | 0.16A | 0.2A | 0.23A | 0.25A | ≤0.25A |
| | Rated Input Current | 0.06A | 0.09A | 0.1A | 0.14A | 0.18A | 0.21A | 0.23A | ≤0.23A |
| | Power Factor | 0.9 | | | | | | | |
| | THD | <20% @230V | | | | | | | |
| | Efficiency | ≥82% | ≥84% | ≥85% | ≥86% | | | | ≥88% |
| No load wattage | <0.5W @230V | | | | | | | | |
| Protection | Short circuit protection | Pass | | | | | | | |
| | Over voltage protection | Pass | | | | | | | |
| | Over temperature protection | Pass | | | | | | | |
| Safety &EMC | Withstand voltage | I/P-O/P:3.75KVac,<5mA 60S | | | | | | | |
| | Isolation Resistance | I/P-O/P: 500VDC, ≥100M Ω | | | | | | | |
| | Surge | IEC61000-4-5(P<25W;L-N:500V;L/N-PE:1KV) | | | IEC61000-4-5(P ≥ 25W;L-N:1KV;L/N-PE:2KV) | | | | |
| | EMC Emission | EN55015, EN61000-3-2 | | | | | | | |
| | EMC Immunity | EN61000-4-2,3,4,5,6,8,11; EN61547 | | | | | | | |

Driver Datasheet (Triac Dimming)

| Total load wattage | | 10W | 18W | 25W | 30W | 35W | 40W | 45W |
|------------------------|-----------------------------|-----------------------------------------------------------------------------|------------|-------|----------------------------------|-------|-------|--------|
| Output | Output Voltage range | DC30-40V | | | | | | |
| | Rated output current | 230mA | 440mA | 580mA | 720mA | 800mA | 950mA | 1050mA |
| | Line Regulation | ±5% | | | | | | |
| | Setup, Rise Time | <0.5S | | | | | | |
| | Flickering Index | 5.5%(LOW RISK) | | | | | | |
| | Input | Input Voltage | AC200-240V | | | | | |
| Rated Input Voltage(V) | | AC230V | | | | | | |
| Frequency | | 50HZ | | | | | | |
| Input Current | | 0.06A | 0.1A | 0.14A | 0.17A | 0.2A | 0.23A | 0.25A |
| Rated Input Current | | 0.05A | 0.09A | 0.13A | 0.15A | 0.17A | 0.2A | 0.22A |
| Power Factor | | 0.9 | | | | | | |
| THD | | <20% @230V | | | | | | |
| Efficiency | | ≥80% | ≥83% | | ≥85% | | | |
| No load wattage | | <1W | | | | | | |
| Protection | Short circuit protection | Pass | | | | | | |
| | Over voltage protection | Pass | | | | | | |
| | Over temperature protection | Pass | | | | | | |
| Safety &EMC | Withstand voltage | I/P-O/P:3.75KVac,<5mA 60S; I/P-FG:1.6KVac,<5mA 60S; O/P-FG:0.5KVac,<5mA 60S | | | | | | |
| | Isolation Resistance | I/P-O/P: 500VDC, ≥100M Ω | | | | | | |
| | Surge | C61000-4-5(L-N:0.5KV;L/N-PE:1KV) | | | IEC61000-4-5(L-N:1KV;L/N-PE:2KV) | | | |
| | EMC Emission | EN55015, EN61000-3-2 | | | | | | |
| | EMC Immunity | EN61000-4-2,3,4,5,6,8,11; EN61547 | | | | | | |

Driver Datasheet (DALI Dimmable)

| Total load wattage | | 10W | 18W | 25W | 30W | 35 W | 40W |
|------------------------|-----------------------------|-----------------------------------------------------------------------------|------------|-------|-------|-------|--------|
| Output | Output Voltage range | DC30-40V | | | | | |
| | Rated output current | 250mA | 400mA | 700mA | 800mA | 900mA | 1000mA |
| | Line Regulation | ±8% | ±5% | | | | |
| | Setup, Rise Time | <0.5S | | | | | |
| | Flickering Index | 5.5% | | | | | |
| | Input | Input Voltage | AC220-240V | | | | |
| Rated Input Voltage(V) | | AC230V | | | | | |
| Frequency | | 50-60HZ | | | | | |
| Input Current | | 0.06A | 0.08A | 0.13A | 0.16A | 0.18A | 0.21A |
| Rated Input Current | | 0.05A | 0.08A | 0.13A | 0.15A | 0.17A | 0.2A |
| Power Factor | | 0.9 | | | | | |
| THD | | <25% @230V | | | | | |
| Efficiency | | 79% | | 84% | | | |
| No load wattage | | <0.5W | | | | | |
| Protection | | Short circuit protection | Pass | | | | |
| | Over voltage protection | Pass | | | | | |
| | Over temperature protection | Pass | | | | | |
| Safety &EMC | Withstand voltage | I/P-O/P:3.75KVac,<5mA 60S; I/P-FG:1.6KVac,<5mA 60S; O/P-FG:0.5KVac,<5mA 60S | | | | | |
| | Isolation Resistance | I/P-O/P: 500VDC, ≥100M Ω | | | | | |
| | Surge | IEC61000-4-5 L-N-PE:2KV | | | | | |
| | EMC Emission | EN55015, EN61000-3-2 | | | | | |
| | EMC Immunity | EN61000-4-2,3,4,5,6,8,11; EN61547 | | | | | |

Installation Procedure

WARNING

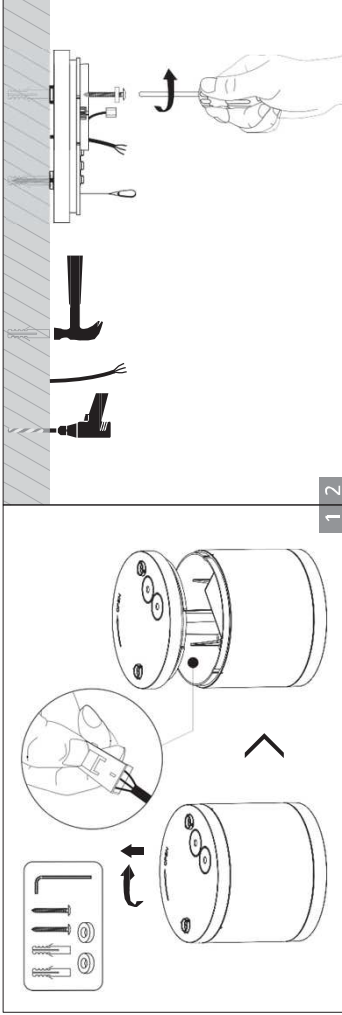
1. Switch off before installation.
2. Switch on only after complete installation and examination of the circuit.
3. Professional electrician for installation and maintenance only.



Turn Off
Power Supply

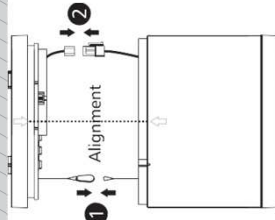
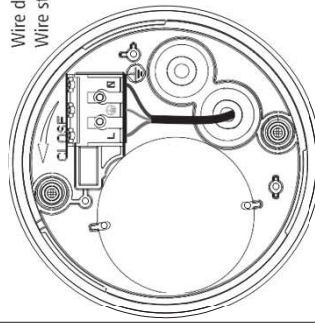


Rotating surface mounted Installation

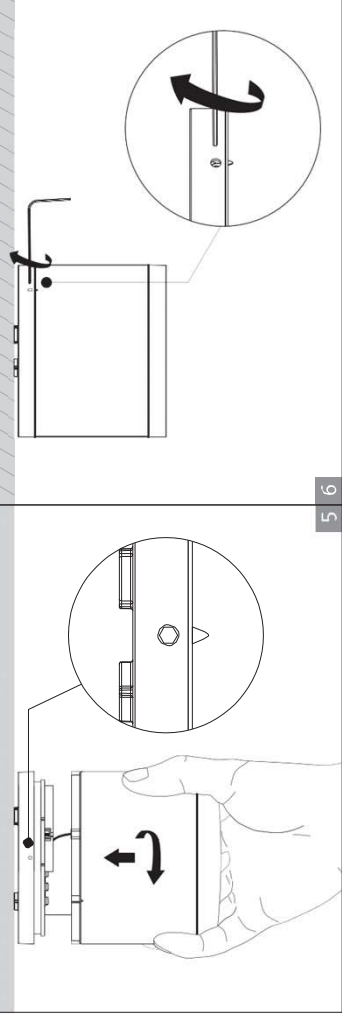


1 2

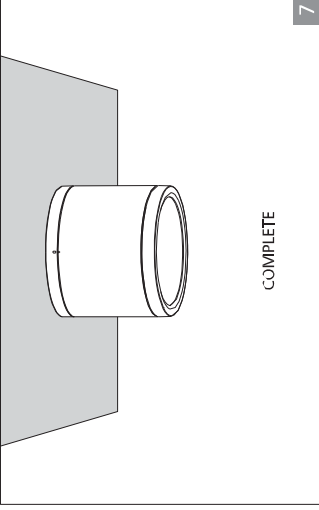
Wire diameter: 0.5-2.5mm²
Wire stripping length: 8-10mm



3 4



5 6



7



RL Europe
Your partner in LED

www.rleurope.ch

info@rleurope.ch

TEL: +41 (0)91 6832255

Add: via E. Bossi 12/B, CH-6830 Chiasso (TI)