

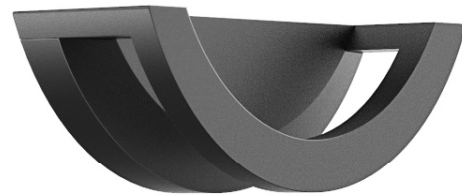
Entry / ECO

Standard / STD

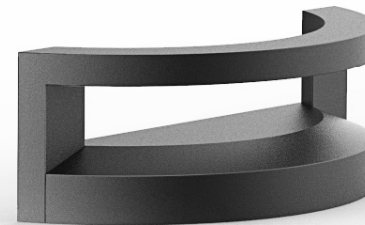
Professional / PRO

ODM & OEM

Intelligent / INT



LED Wall Light  
WL46 Series





## Introduction

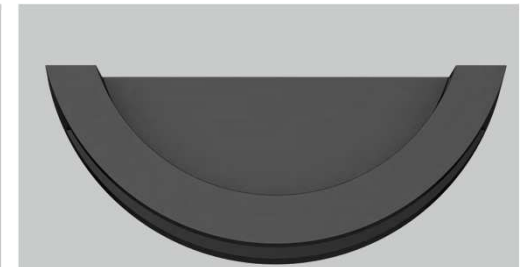
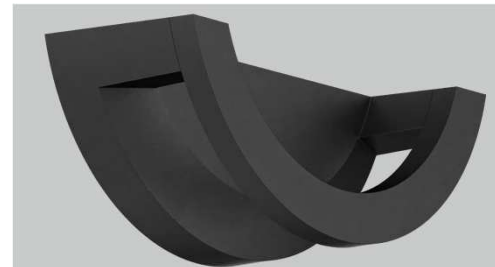
This wall light won 2020 IF Award. It's used a special optical structure to deliver a layering of indirect and soft light, just like a rainbow, so we also call it Rainbow. Adopt high lumen SMD LED light source with high CRI, aluminum body with great thermal management. It can be installed individually as a wall light to create a charming atmosphere or in groups, to create various shapes.

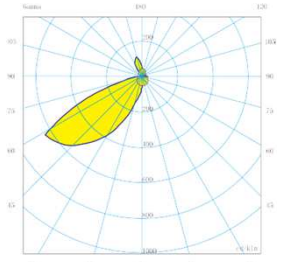
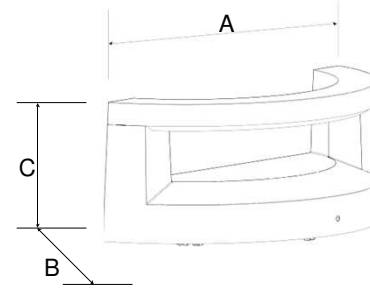
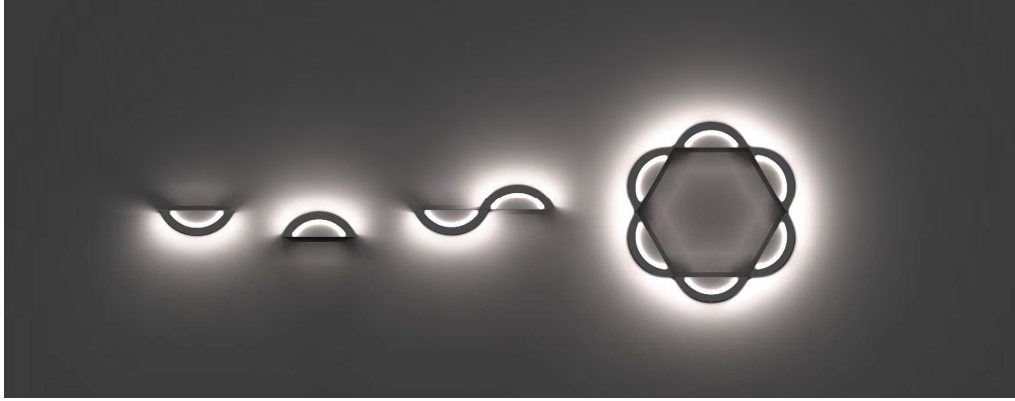
## Features

- With IF design Award.
- Indirect lighting design offers a great visual experience.
- Special shape design with charming light spot.
- IP65 IK08 high protection.
- Various DIY shape available.

## Application Areas

Townhouse, hotel, restaurant. Garden area: Pathway, Etc...





Asymmetric light distribution

## Technical Data Sheet

Code No.	WL46-10W	
Dimension(mm)	204×81×78	
Cutout (mm)	-	
Watt(W)	10W	
Rated Input Voltage(V)	AC200-240V	
Input Voltage(V)	AC230V	
LED Module Input	DC72V 135mA	
Light Source	SMD	
SDCM	<6	
CCT(K)	1-CCT: 3000K/4000K/5000K/5700K	
CCT Selection DIP Switch	NO	
Luminous Flux (lm) ±5%	Non-DIM 1-CCT	490-530
	DIM CCT	-
	Non-DIM 3-CCT	-
	DIM CCT	-
CRI	Ra>80	
Beam Angle (°)	50°	
UGR	-	
LED Driver	Built-in	
Dimming Option	-	
Sensor	-	
Emergency Kits	-	
Electrical Class	Class I	
Ingress Protection (IP Rating)	IP65	
Impact Resistance (IK Rating)	IK08	
Product Finishing(Base)	Black RAL9005	
Materials of Optics	PC	
Materials of Housing	Aluminum	
Lifetime (hr)	50,000h	
Glow wire test (°C)	850°C	
Operating Temp. (°C)	-20°C~45°C	
Storage Temp. (°C)	-20°C~65°C	
Installation	Wall mount	

## Measurement

Code	Dimension(mm)			Size(mm)	Product Weight (Kg)		Package weight (Kg)		Carton Size(cm)	Qty/CTN	20GP (pcs)	40HQ (pcs)
	A	B	C		N.W/PC	G.W/PC	N.W/CTN	G.W/CTN				
WL46-10W	204	81	78	204×81×78	0.502	0.604	14.5	15.4	54.5×37×45	24	7440	16896

## Driver Datasheet (Non-dimmable)

Total load wattage		10W
Output	Output Voltage range	65-75V
	Rated output current	135mA
	Line Regulation	±5%
	Setup, Rise Time	≤0.5S
	Flickering Index	-
Input	Input Voltage	AC200-240V
	Rated Input Voltage(V)	230V
	Frequency	50/60Hz
	Input Current	0.06A
	Rated Input Current	0.05A
	Power Factor	0.9
	THD	-
	Efficiency	≥88%
Protection	No load wattage	<0.5W
	Short circuit protection	Pass
	Over voltage protection	Pass
	Over temperature protection	Pass
Safety & EMC	Withstand voltage	-
	Isolation Resistance	I/P-O/P: 500VDC, ≥100M Ω
	Surge	IEC61000-4-5(L-N:0.5KV, L/N-PE:1KV)
	EMC Emission	EN55015, EN61000-3-2
	EMC Immunity	EN61000-4-2,3,4,5,6,8,11; EN61547

# Installation Procedure

## WARNING ⚡

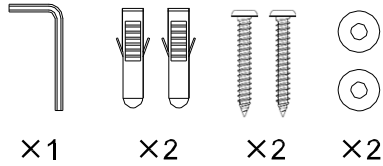
1. Switch off before installation / maintenance.
2. Switch on only after complete installation and examination of the circuit.
3. Professional electrician for installation and maintenance only.



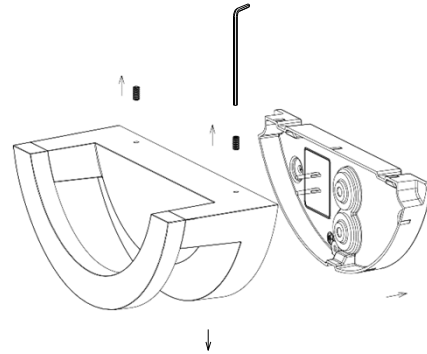
Turn Off power supply before starting any installation. Read instructions & check you have all the tools & accessories to complete the installation correctly.

## Wall mount installation

Accessory Package

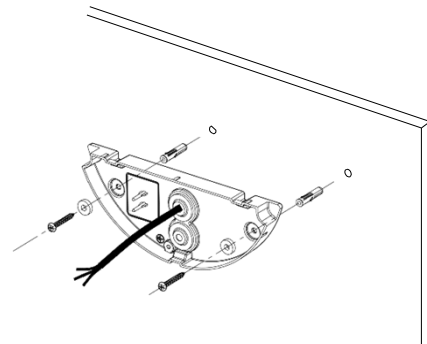


### Step 1



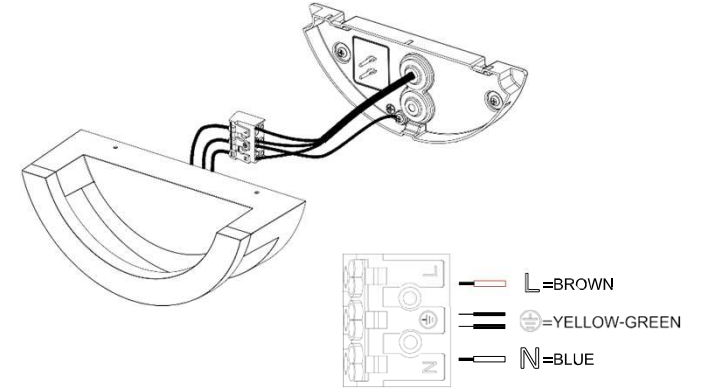
Remove the screws and open the back plate.

### Step 2



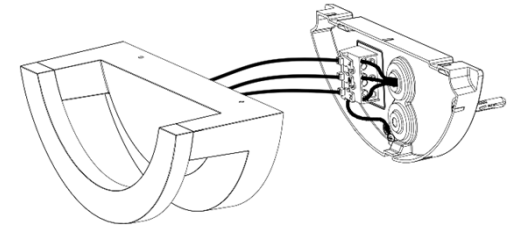
Wire through the waterproof rubber mat, fix the back plate on surface.

### Step 3



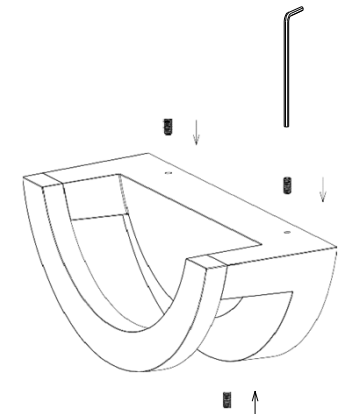
Connect AC wires correspondingly.

### Step 4



Fix the connector in correct position on back plate.

### Step 5



Lock the screws to fix the lamp.



**RL Europe**  
Your partner in LED

[www.rleurope.ch](http://www.rleurope.ch)

[info@rleurope.ch](mailto:info@rleurope.ch)

TEL: +41 (0)91 6832255

Add: via E. Bossi 12/B, CH-6830 Chiasso (TI)