

Entry /ECO

Standard /STD

Professional/PRO

ODM & OEM

Intelligent/INT

PRO
Specifications



LED Pendant Light
PD26 Series





Introduction

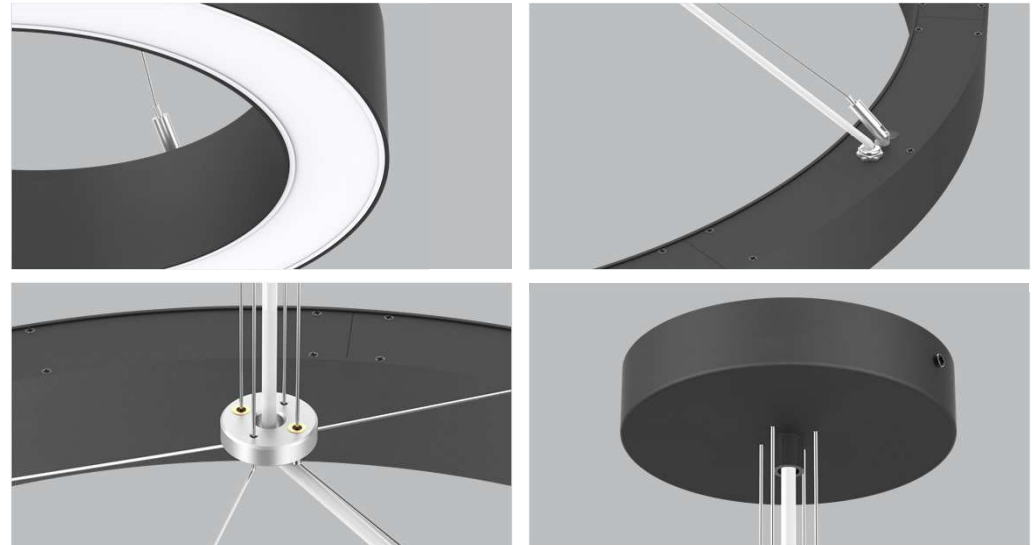
PD26 is a big size pendant light. It's adopted high lumen SMD LED light source, circle cut method makes PC shade without light leakage, which also offers a softer and uniform light output. AL6063 aluminium housing provides an excellent thermal management. Size options: 400mm, 600mm, 800mm, 1000mm.

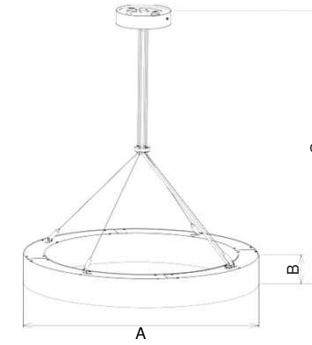
Features

- High lumen efficiency 90-100lm/W.
- Uniform light output without any light leakage.
- AL6063 aluminium provides a great heat dissipation.
- Size options: 400mm, 600mm, 800mm, 1000mm.
- Osram flicker free internal driver.
- Multiple pendant ways: ceiling box on center, no ceiling box.

Application Areas

It is designed for general lighting applications in hotel, shopping mall, home, etc.





Technical Data Sheet

Code No.	PD26A-35W	PD26A-54W	PD26A-70W	PD26A-84W		
Dimension(mm)	Ø400×75	Ø600×75	Ø800×75	Ø1000×75		
Cutout (mm)	-					
Watt(W)	35W	54W	70W	84W		
Rated Input Voltage(V)	AC220-240V					
Input Voltage(V)	AC180-264V					
LED Module Input	DC36V 900mA	DC36V 700mA×2	DC36V 900mA×2	DC36V 1100mA×2		
Light Source	SMD					
SDCM	<6					
CCT(K)	3000K/4000K/5000K/5700K					
CCT Selection DIP Switch	-					
Luminous Flux (lm) ±5%	Non-DIM	1-CCT	3100-3400	4900-5300	6300-6700	7600-8000
	DIM		-			
	Non-DIM	3-CCT	-			
	DIM		-			
CRI	Ra>80					
Beam Angle (°)	105°					
UGR	-					
LED Driver	Built-in					
Dimming Option	-					
Sensor	-					
Emergency Kits	-					
Electrical Class	Class I					
Ingress Protection (IP Rating)	IP20					
Impact Resistance (IK Rating)	-					
Product Finishing(Base)	Black RAL9005					
Materials of Optics	PC					
Materials of Housing	Aluminum					
Lifetime (hr)	50,000h					
Glow wire test (°C)	750°C					
Operating Temp. (°C)	-20°C~40°C					
Storage Temp. (°C)	-20°C~65°C					
Installation	Pendant					

Measurement

Code	Dimension(mm)			Size(mm)	ProductWeight (Kg)		Package weight (Kg)		Carton Size(cm)	Qty/CTN	20GP (pcs)	40HQ (pcs)
	A	B	C		N.W/PC	G.W/PC	N.W/CTN	G.W/CTN				
PD26A-35W	400	75	1500	Ø400×75	3.1	3.6	14.4	15.6	50.5*46.5*47	4	768	2000
PD26A-54W	600	75	1500	Ø600×75	4.6	5.5	11	12.1	66.5*26*67	2	492	1014
PD26A-70W	800	75	1500	Ø800×75	6	8.1	8.1	8.1	88.5*12.5*89.5	1	244	510
PD26A-84W	1000	75	1500	Ø1000×75	7.5	10.3	10.3	10.3	108.5*12.5*109.5	1	204	420

Driver Datasheet (Osram)

Total load wattage		35W	54W (30W×2)	70W (38W×2)	84W (60W×2)
Driver Model No.		OT FIT 38/220-240/ 900 CS S MINI	OT FIT 30/220-240/ 700 CS S MINI	OT FIT 38/220-240/ 900 CS S MINI	IT FIT 60/220-240/ 1A2 CS L
Output	Output Voltage range	30-42V			
	Rated output current	900mA	700mA	900mA	1100mA
	Line Regulation	±7.5 %			
	Setup, Rise Time	<0.5S			
	Flickering Index	NO RISK (IEEE 1789)			
Input	Input Voltage	AC198-264V			
	Rated Input Voltage(V)	AC220-240V			
	Frequency	50/60Hz			
	Input Current	0.2A	0.31A	0.4A	0.47A
	Rated Input Current	0.18A	0.28A	0.36A	0.42A
	Power Factor	0.9			
	THD	< 10 %			
	Efficiency	89%	88%	89%	86%
Protection	No load wattage	<0.5W			
	Short circuit protection	Pass			
	Over voltage protection	Pass			
Safety & EMC	Over temperature protection	Pass			
	Withstand voltage	I/P-O/P:3.75KVac,<5mA 60S; I/P-FG:1.75KVac,<5mA 60S; O/P-FG:0.5KVac,<5mA 60S			
	Isolation Resistance	I/P-O/P: 500VDC, ≥100M Ω			
	Surge	IEC61000-4-5 L-N:1KV LN-PE:2KV			
	EMC Emission	EN55015, EN61000-3-2			
EMC Immunity	EN61000-4-2,3,4,5,6,8,11; EN61547				

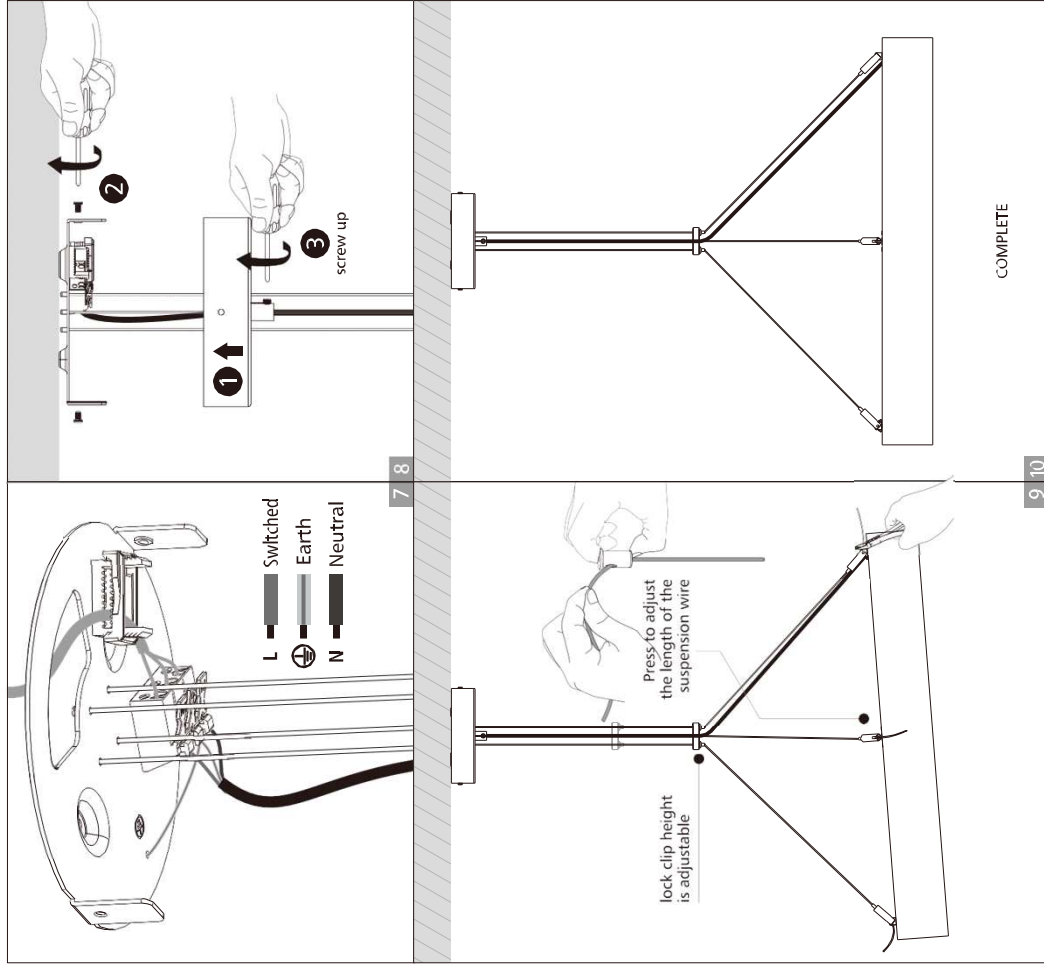
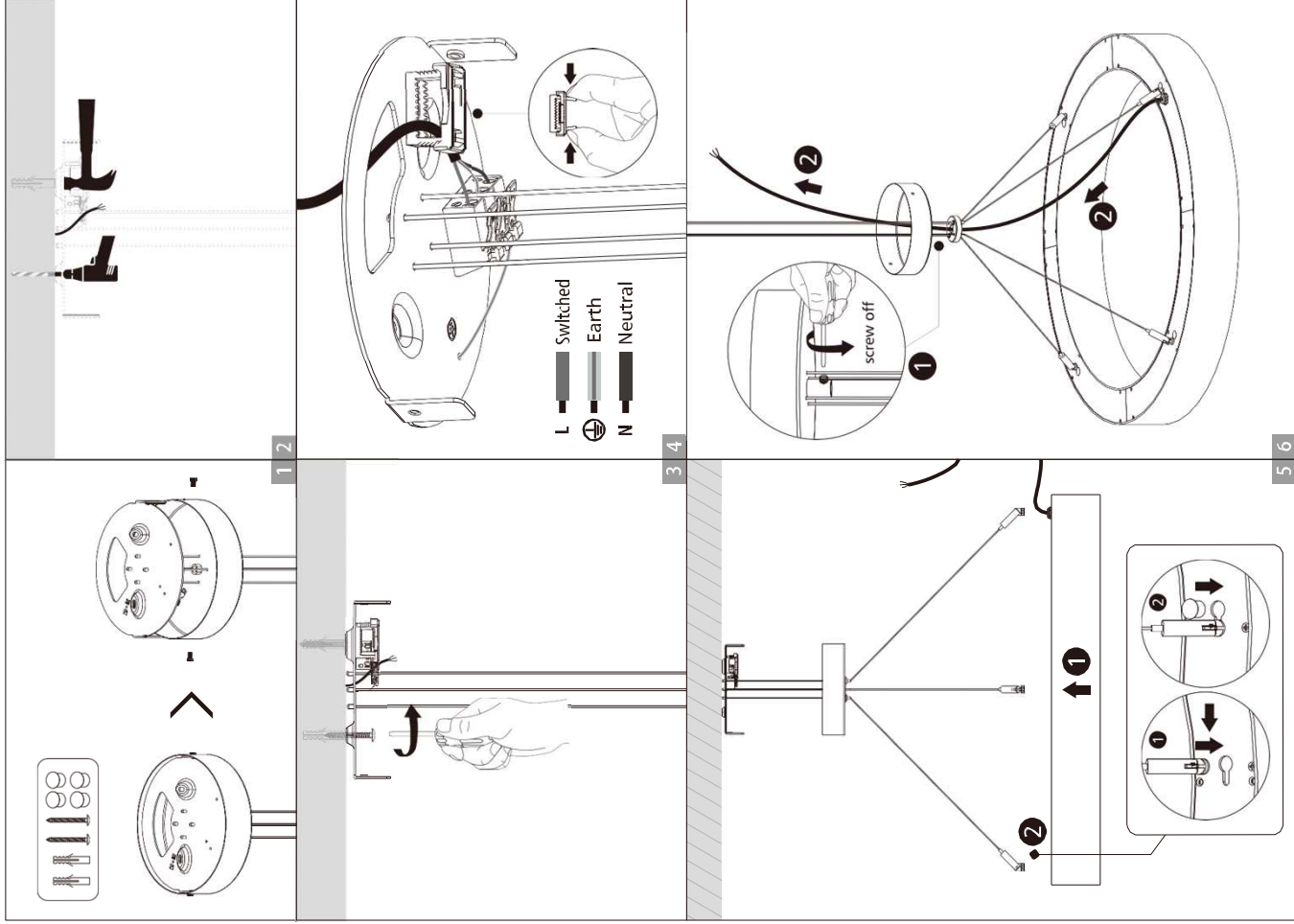
Installation Procedure

WARNING

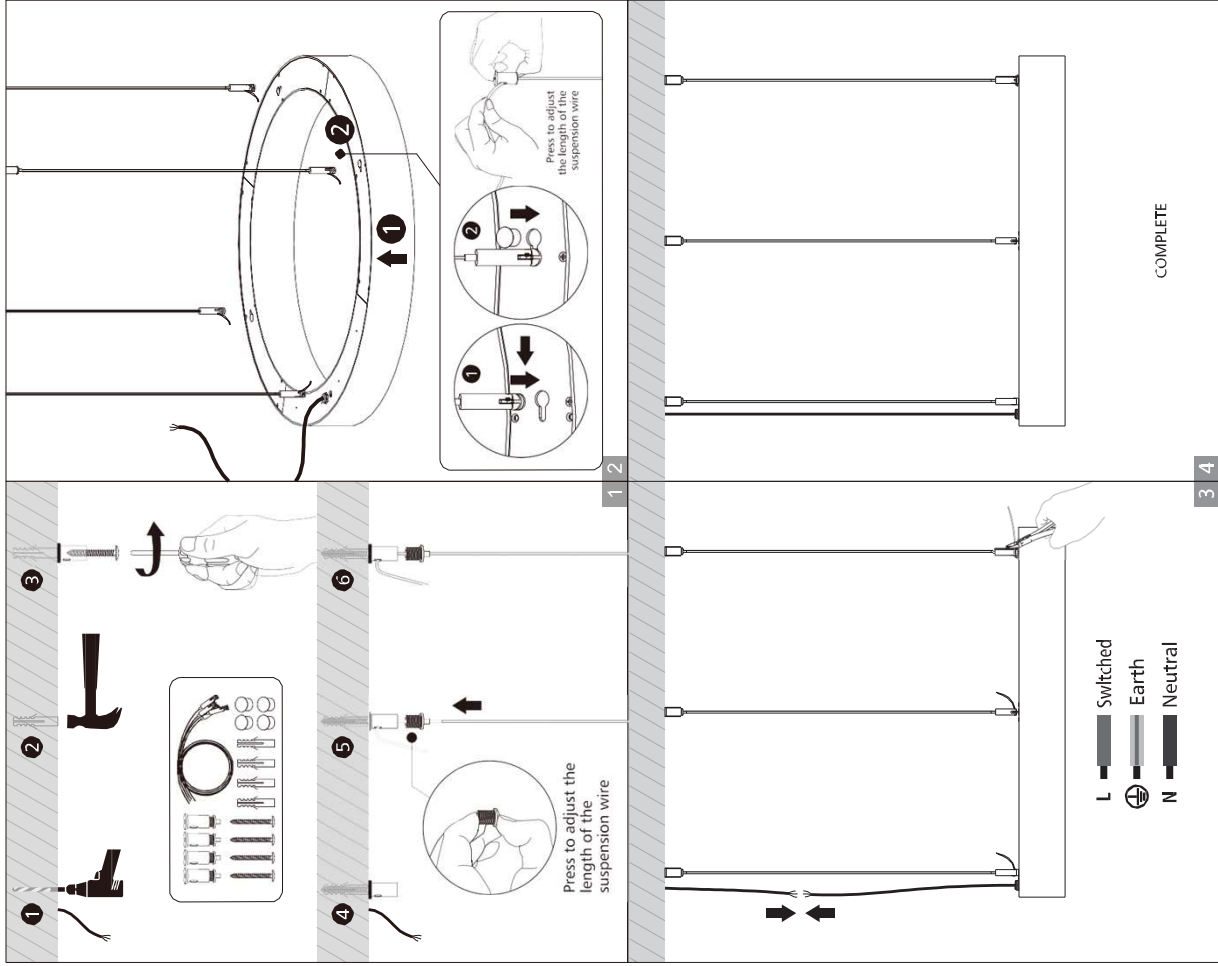
1. Switch off before installation.
2. Switch on only after complete installation and examination of the circuit.
3. Professional electrician for installation and maintenance only.



■ Suspended Installation (With round ceiling plate)



Suspended Installation (Without round ceiling plate) (Need to purchase it separately)





RL Europe
Your partner in LED

www.rleurope.ch

info@rleurope.ch

TEL: +41 (0)91 6832255

Add: via E. Bossi 12/B, CH-6830 Chiasso (TI)