



LED CYLINDER

PD12

Introduction



PD12 whole lamp adopts straightforward design with stylish appearance, easy to install, simple and generous, paying more attention to leisure and comfort. It gives space a clear and lively feelings. Different color of surface ring is optional, which could create diversified light atmosphere according to different environment.

Features

The lamp adopts high quality reflector which has good reflective rate and light output > 85%. High lumen COB chip with CRI>80. THD<20%, passed EMC test with strong anti-jamming capability. Besides, it possesses short-circuit protection and overvoltage protection function, showing high safety performance.

Application Areas

Applicable for residential lighting in bedroom, living room, corridor etc, also suitable for commercial lighting in office, hotel, restaurant etc.



PD12-5W Arylic mask

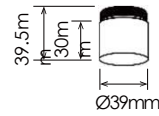
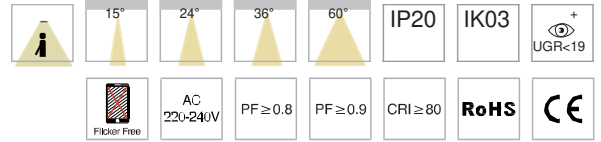
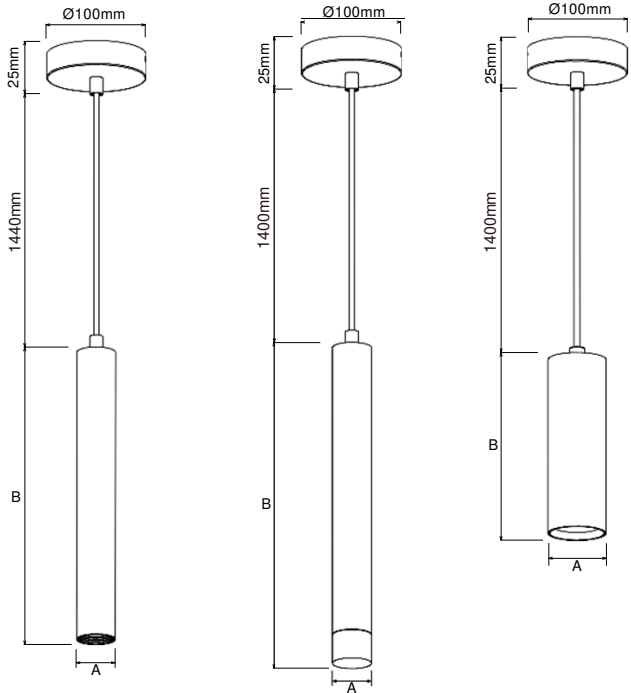


PD12-5W



PD12-10W





ACC-PD12B-CR

Measurement

Model	Dimension(mm)		Size(mm)	Product Weight (Kg)		Package weight (Kg)		Carton Size(cm)	Qty/CTN	20GP (pcs)	40HQ (pcs)
	A	B		N.W/PC	G.W/PC	N.W/CTN	G.W/CTN				
5W	Ø39	300	Ø39*300	0.51	0.6	9.2	12	46.5*38*35	18	7776	18900
5W	Ø39	500	Ø39*500	0.65	0.78	11.8	15.5	66.5*38*35	18	5184	12852
10W	Ø58	180	Ø58*180	0.54	0.62	6.5	8.3	47.5*25.5*36	12	7440	18240
ACC-PD12B-CR	Ø39	39.5	Ø39*39.5	0.021				36*22*16	120	-	-

Technical Data Sheet



Code			PD12-5W	PD12-5W	PD12-10W
Dimension(mm)			Ø39*300	Ø39*500	Ø58*180
Cutout(mm)			-		
Watt(W)			5W		10W
Rated Input Voltage			AC198-264V		
Input Voltage			AC220-240V		
LED Module Input			DC33-38V		
Light Source			COB		
SDCM			<5		
CCT(K)			1-CCT: 2700K/3000K/4000K/5000K		
CCT Selection DIP Switch			NO		
Luminous Flux (lm) ±5% CRI80	1-CCT	Non-DIM DIM	500-540	500-540	950-1000
Beam Angle (°)			24°/36°/60°		15°/24°/36°/60°
CRI			80		
UGR			<19		
LED Driver			Driver built-in		
Dimming Option			NO		
Sensor			-		
Emergency Kits			-		
Electrical Class			Class I		
Ingress Protection(IP Rating)			IP20		
Impact Resistance(IK Rating)			IK03		
Product Finishing			White RAL9016/Black RAL9005		
Optics Material			PMMA (Lens)		PC (Reflector)
Housing Material			Aluminium		
Lifetime(hr)			50,000h		
Glow wire test(°C)			750°C		
Operating Temp(°C)			-20°C~45°C		
Storage Temp(°C)			-20°C~60°C		
Installation			Pendant		



Technical Data Sheet(Cylinder Mask)

Code		PD12-5W	PD12-5W
Dimension(mm)		Ø39*300	Ø39*500
Cutout(mm)		-	
Watt(W)		5W	
Rated Input Voltage		AC198-264V	
Input Voltage		AC220-240V	
LED Module Input		DC33-38V	
Light Source		COB	
SDCM		<5	
CCT(K)		1-CCT: 2700K/3000K/4000K/5000K	
CCT Selection DIP Switch		NO	
Luminous Flux (lm) ±5% CRI80	1-CCT	Non-DIM 490-500	DIM 490-500
CRI		80	
Beam Angle(°)		45°/55°/70°	
UGR		-	
LED Driver		Driver built-in	
Dimming Option		NO	
Sensor		-	
Emergency Kits		-	
Electrical Class		Class I	
Ingress Protection(IP Rating)		IP20	
Impact Resistance(IK Rating)		IK03	
Product Finishing		White RAL9016/Black RAL9005	
Optics Material		PMMA (Lens)	
Housing Material		Aluminium	
Lifetime(hr)		50,000h	
Glow wire test(°C)		750°C	
Operating Temp(°C)		-20°C~45°C	
Storage Temp(°C)		-20°C~60°C	
Installation		Pendant	

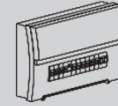
Driver Datasheet

Total load wattage		5W	10W
Output	Rated output current	110mA	230mA
	Output Voltage range	DC28-40V	
	Line Regulation	±5%	
	Setup Rise Time	≤500ms @230V	
	Flickering Index	5%(LOW RISK)	-
	IEC-PST	<1	-
	CIE(SVM)	≤0.4	-
Input	Rated Input Voltage	AC220-240V	
	Input Voltage	AC198-264V	
	Frequency	50/60Hz	
	Rated Input Current	≤ 0.03A	≤ 0.06A
	Input Current	≤ 0.04A	≤ 0.06A
	Power Factor	≥0.8	>0.9
	THD	-	
	Efficiency	≥80%	≥83%
	Inrush current	37.6A	7.04A/31.2uS
	No load wattage	<0.5W @230V	
	Stand-by power consumption	-	
Protection	Short circuit protection	PASS	
	Over voltage protection	PASS	
	Over temperature protection	PASS	
Safety & EMC	Withstand voltage	I/P-FG:1.5KVac,<5mA 60S	
	Isolation Resistance	500VDC, ≥2M Ω	
	Surge	IEC/EN61000-4-5 (L-N:1KV, L/N-PE:2KV)	
	EMC Emission	EN55015, EN61000-3-2	
EMC Immunity	EN61000-4-2,3,4,5,6,8,11; EN61547		

Installation Procedure

WARNING ⚡

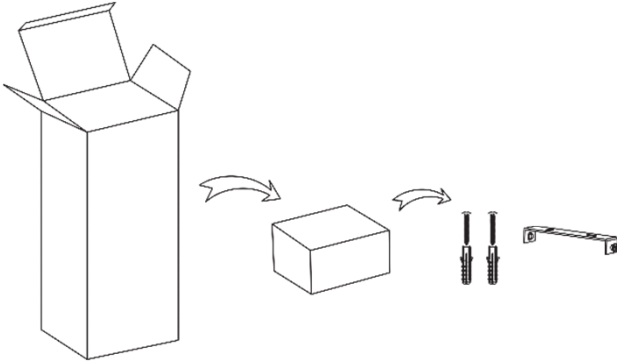
1. Switch off before installation.
2. Switch on only after complete installation and examination of the circuit.
3. Professional electrician for installation and maintenance only.



Turn Off power supply before starting any installation. Read instructions & check you have all the tools & accessories to complete the installation correctly.

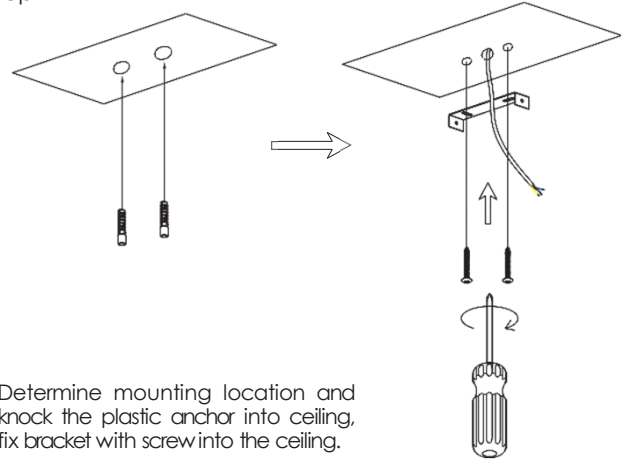
How to install

Step 1



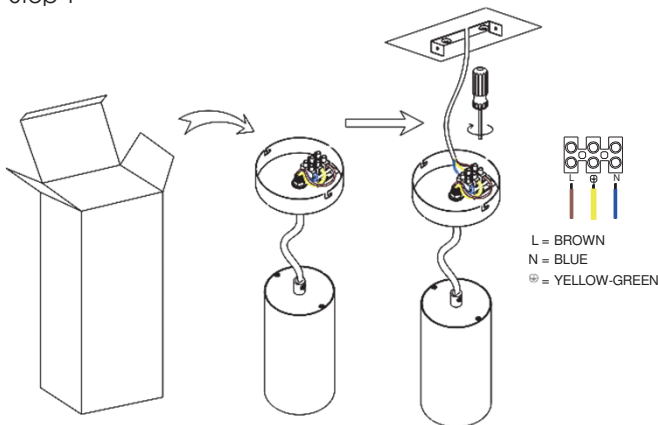
Take out the accessories from accessory box.

Step 2



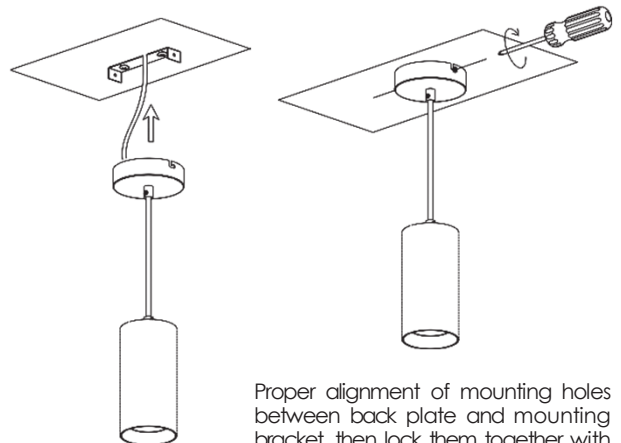
Determine mounting location and knock the plastic anchor into ceiling, fix bracket with screw into the ceiling.

Step 1



Take out the lamp, connect the corresponding polarities between the wires on the ceiling and terminal block by screwdriver.

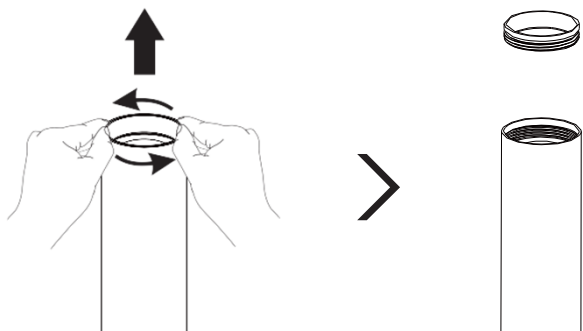
Step 2



Proper alignment of mounting holes between back plate and mounting bracket, then lock them together with screw

How to change the trim to diffuser lens ?

Disassemble



Assemble

