

Entry /ECO

Standard /STD

Professional/PRO

ODM & OEM

Intelligent/INT

PRO

Specifications

LED Wall Light
WL52 Series





Introduction

This wall lamp has two lampshade options (PC shade and metal grille shade) with flexible assemble way, lamp shade can do up&down/front&back assembly, so that it can meet more application demand. For structure details, it's adopted brand COB light source with high Ra, tempered glass for a better protection and uniform light output, ADC12 aluminium housing for a better heat dissipation.

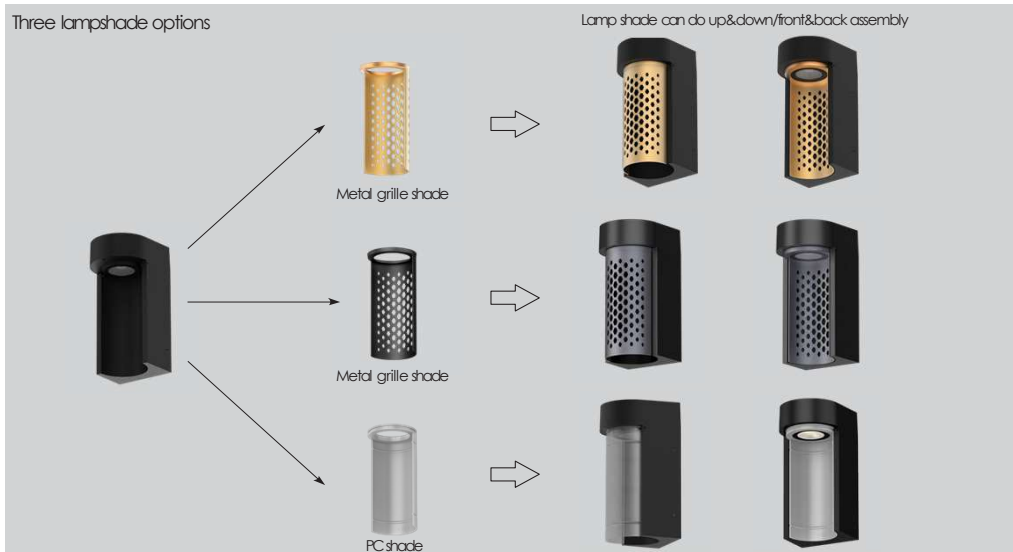
Features

- Two lampshade options: PC shade and metal grille shade.
- Flexible assemble way for lampshade.
- Interchangeable CCT(2700K+4000K+6500K) with slide switch.
- Lamp color: Black. Grill shade color: Brass, Black blue. PC shade: Semi-transparent.
- Internal flicker free driver.

Application Areas

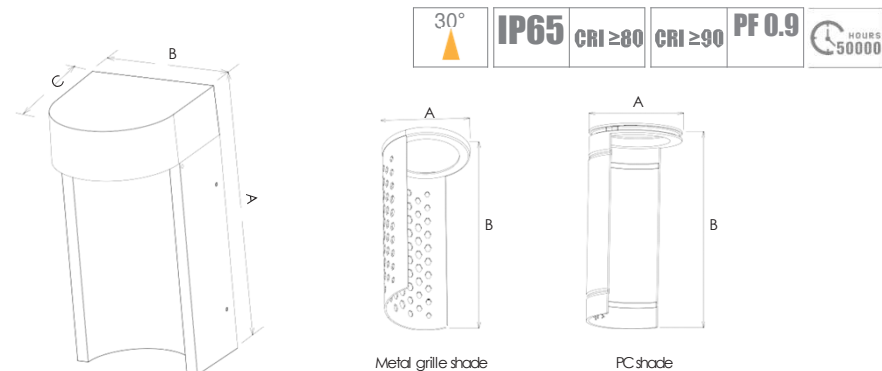
It's widely used in outdoor corner, corridors, pillars in open plan offices etc.





Technical Data Sheet

Code No.	WL52-10W	WL52-10W-C3
Dimension(mm)	229*113*120	229*113*120
Cutout (mm)	-	-
Watt(W)	10W	
Rated Input Voltage(V)	AC230V	
Input Voltage(V)	AC220-240V	
LED Module Input	-	
Light Source	COB	
SDCM	<6	
CCT(K)	1-CCT: 2700K /3000K/4000K/5000K	3-CCT:2700K+4000K+6500K
CCT Selection DIP Switch	NO	YES
Luminous Flux (lm) ±5%	Non-DIM DIM	1-CCT 450-550
	Non-DIM DIM	3-CCT 350-400
CRI	80	90
Beam Angle (°)	30°	
UGR	-	
LED Driver	Built-in	
Dimming Option	NO	
Sensor	NO	
Emergency Kits	NO	
Electrical Class	Class I	
Ingress Protection (IP Rating)	IP65	
Impact Resistance (IK Rating)	IK06	
Product Finishing(Base)	Black (RAL9005)	
Materials of Optics	Aluminum/PC	
Materials of Housing	Aluminum ADC12	
Lifetime (hr)	5,000h@25°C	
Glow wire test (°C)	750°C	
Operating Temp. (°C)	-20°C~45°C	
Storage Temp. (°C)	-20°C~65°C	
Installation	Wall mount	



Measurement

Code	Dimension(mm)			Product Weight (Kg)	Package weight (Kg)		Carton Size(cm)	Qty/CTN	20GP (pcs)	40HQ (pcs)		
	A	B	C		N,W/PC	G,W/PC						
WL52-10W	229	113	120	229*113*120	1.59	1.77	10.62	11.30	42.5*26.5*30	6	4620	10560
WL52-10W-C3	229	113	120	229*113*120	1.62	1.80	10.80	11.40	42.5*26.5*30	6	4620	10560
Metal grille shade	Ø88.5	185.5	-	Ø88.5*185.5	0.27	0.45	10.80	11.25	39.5*30.5*23	24	26160	59520
PC shade	Ø88.5	185.5	-	Ø88.5*185.5	0.09	0.27	6.48	6.95	39.5*30.5*23	24	26160	59520

Driver Datasheet (Non-dimmable)

Total load wattage		10W
Output	Output Voltage range	DC30-40V
	Rated output current	220mA
	Line Regulation	±5%
	Setup, Rise Time	≤0.5S
	Flickering Index	NO RISK
Input	Input Voltage	AC220-240V
	Rated Input Voltage(V)	AC230V
	Frequency	50/60HZ
	Input Current	≤0.06A
	Rated Input Current	≤0.05A
	Power Factor	0.9
	THD	<20% @230V
Protection	Efficiency	≥83%
	No load wattage	≤0.5W
	Short circuit protection	PASS
	Over voltage protection	PASS
Safety &EMC	Over temperature protection	PASS
	Withstand voltage	I/P-FG:1.5KVac,<5mA 60S
	Isolation Resistance	500VDC, ≥2M Ω
	Surge	IEC/EN61000-4-5(P<25W; L-N:500V)
	EMC Emission	EN55015, EN61000-3-2
	EMC Immunity	EN61000-4-2,3,4,5,6,8,11; EN61547

Installation Procedure

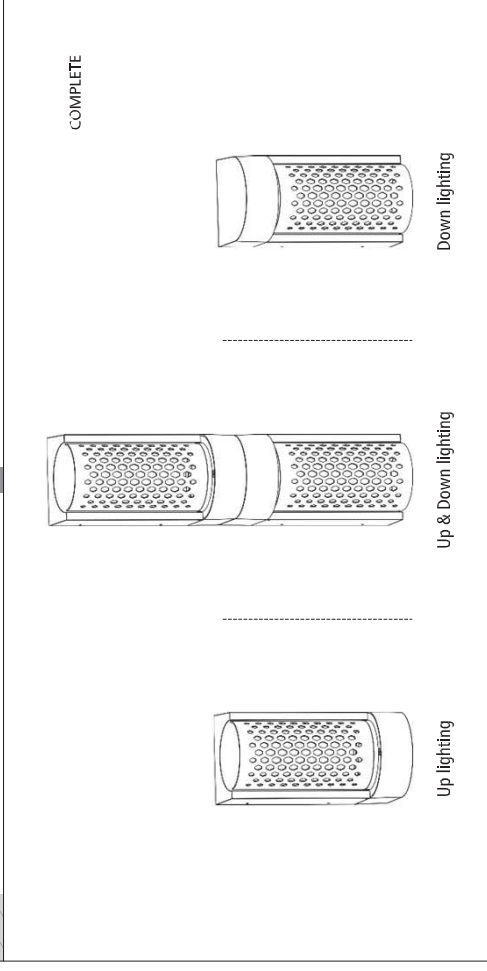
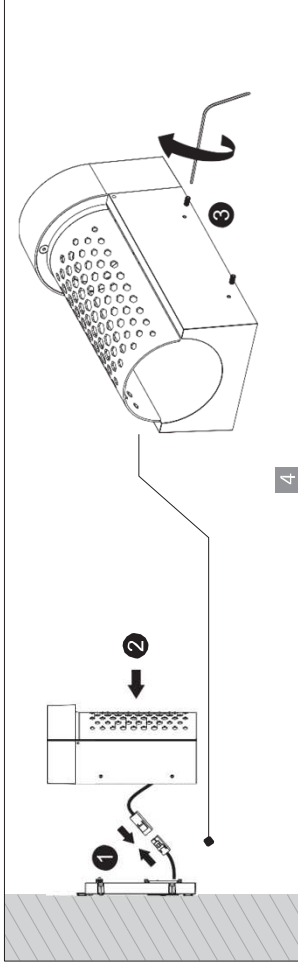
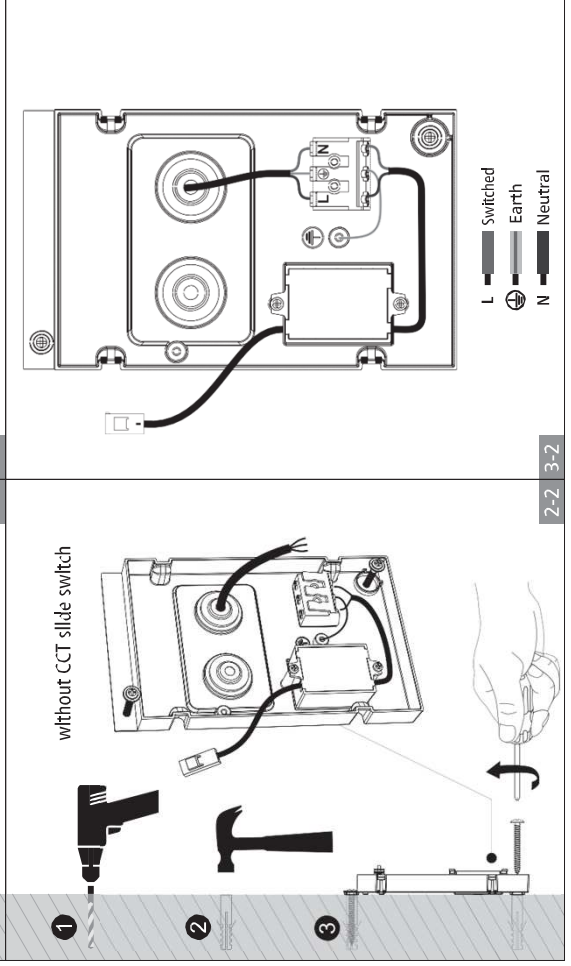
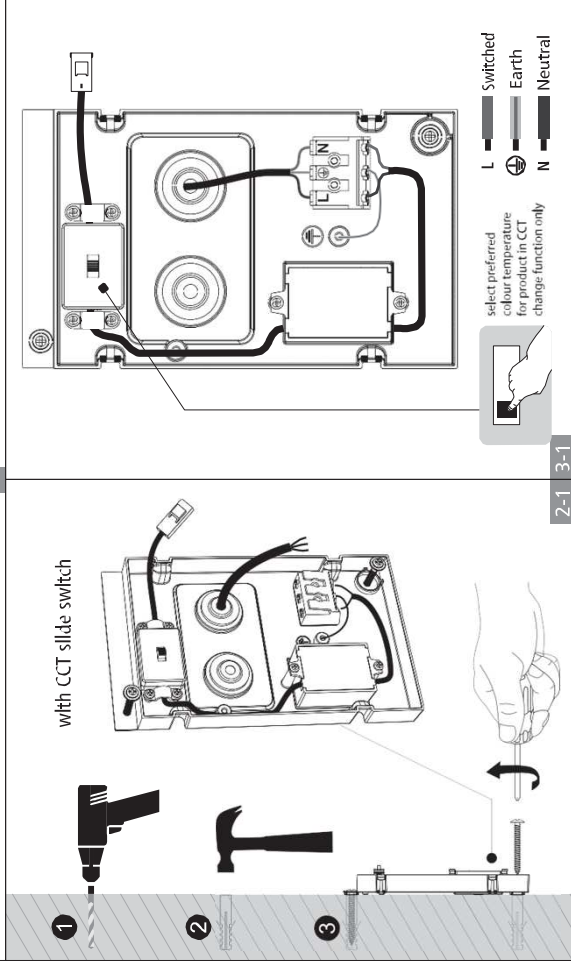
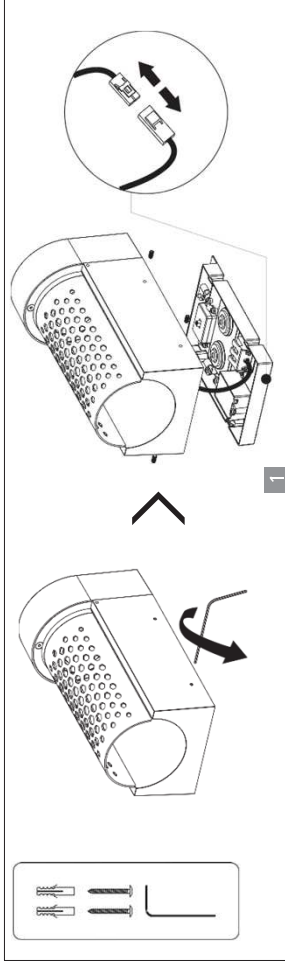
WARNING

1. Switch off power supply before Installation / maintenance.
2. Switch on only after complete installation and examination of the circuit.
3. Professional electrician for installation and maintenance only.

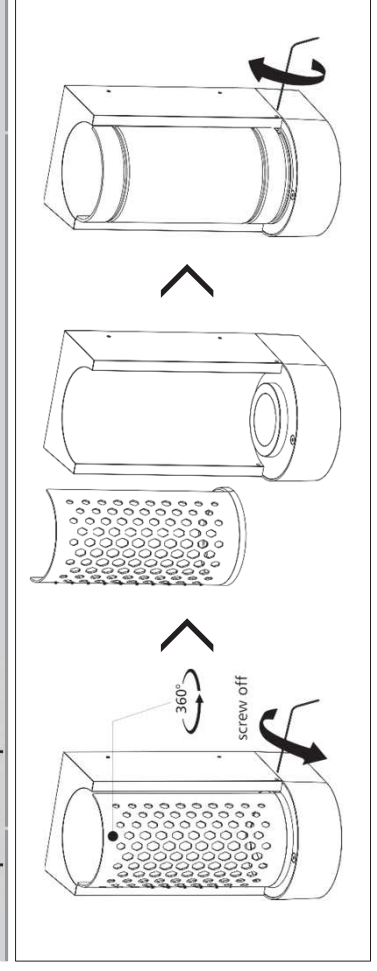


Turn Off Power Supply





Lamp Shade Replacement





RL Europe
Your partner in LED

www.rleurope.ch

info@rleurope.ch

TEL: +41 (0)91 6832255

Add: via E. Bossi 12/B, CH-6830 Chiasso (TI)